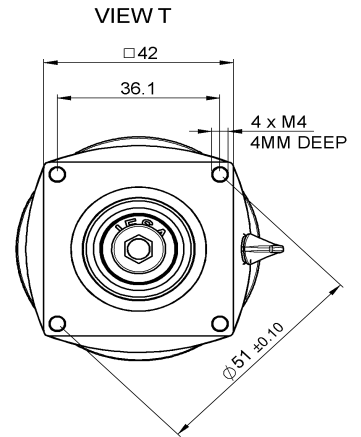
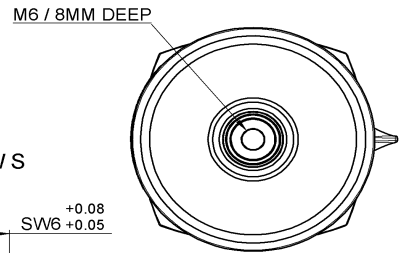


## CVUS-500AC/8-JHJK

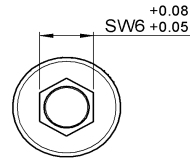
Specifications	
Capacity $C_{max}$ (nominal)	500 pF
Capacity $C_{min}$ (nominal)	50 pF
Voltage (Peak Test $U_{pt}$ / Peak Working $U_{pw}$ )	8 kV / 4.8 kV
Capacity Tolerance (linear Range)	10%
Max. Current $I_{max}$ at 13.56 MHz with	57 Arms
Conduction Cooling	20 W
Self Inductance	$\leq 9$ nH
Capacitance per turn	42.9 pF/turn
Torque	$\leq 0.2$ Nm
Net Weight	0.6 kg



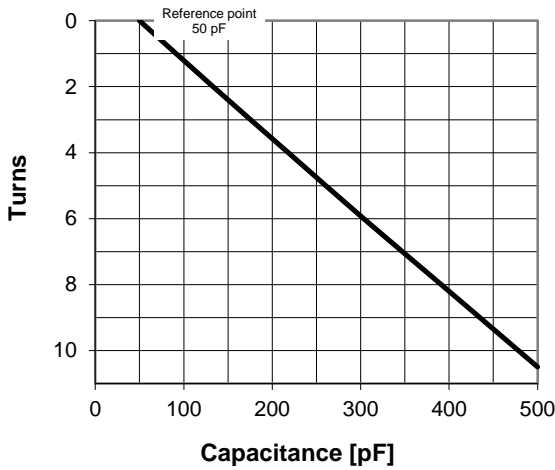
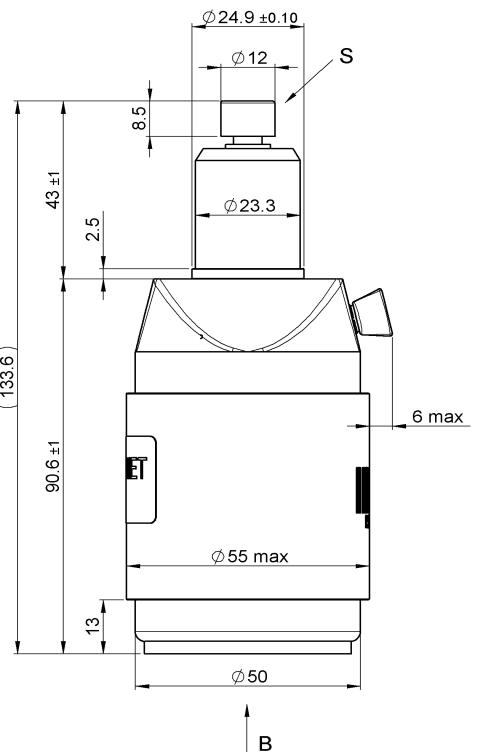
VIEW B



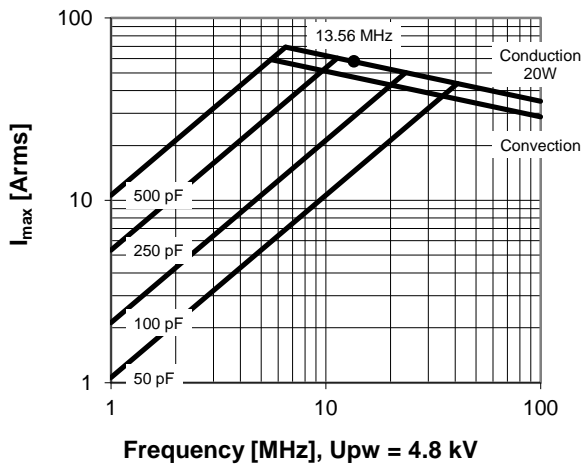
VIEW S



T



$I_{max}$  at 25°C ambient and 125°C surface temp. for convection and conduction (20 W) cooling



Subject to change without prior notice

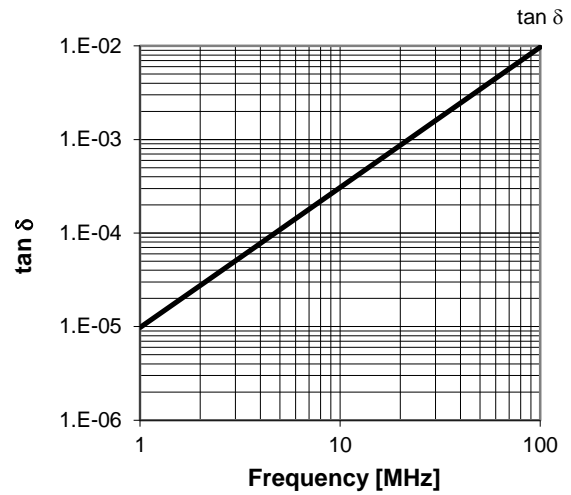
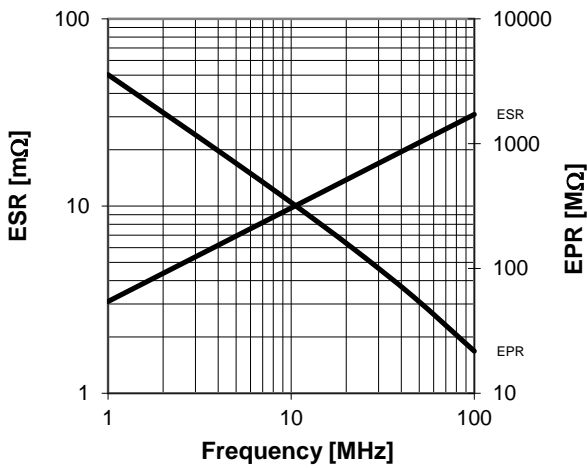
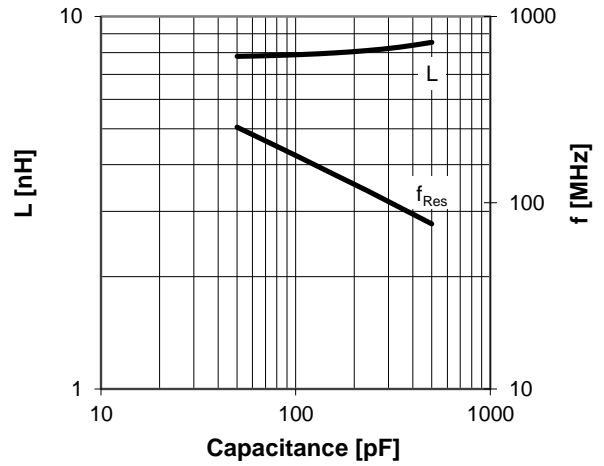
Note: Technical information in Service Bulletin SB-52 must be considered

## CVUS-500AC/8-JHJK

Turns	Nominal Capacitance [pF]	Tolerance
0.0	50.0	0%
2.0	133.2	10%
4.0	218.1	10%
6.0	303.3	10%
8.0	391.0	10%
10.5	500.0	10%

Mechanical stop at < 50 pF at ~ -0.5 turns  
Mechanical stop at > 500 pF at ~ 10.6 turns

Self inductance and resonance frequency



### Special Feature

RoHS compliant

Subject to change without prior notice

Note: Technical information in Service Bulletin  
SB-52 must be considered