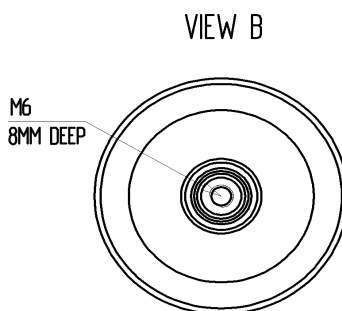
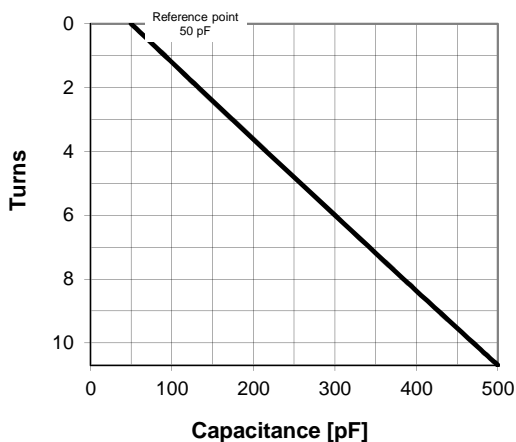
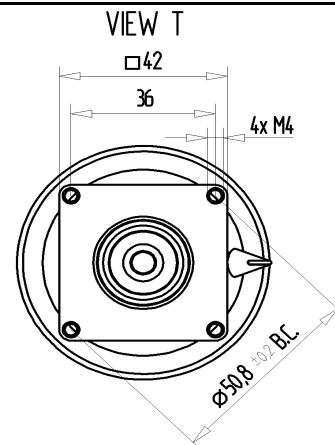
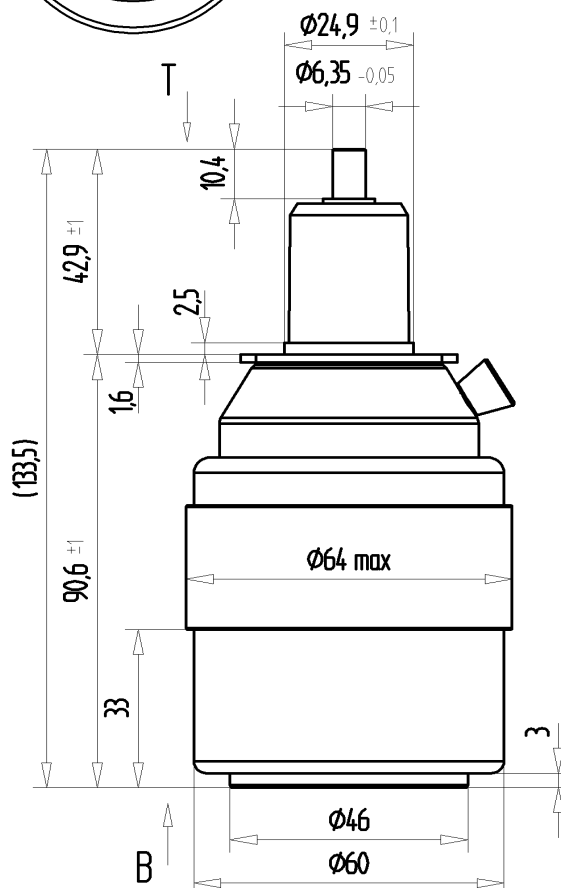
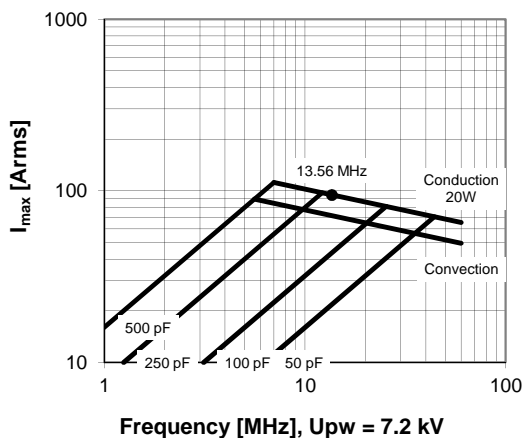


CVUN-500BC/12-BAJA-Z

Specifications	
Capacitance C_{max} (nominal)	500 pF
Capacitance C_{min} (nominal)	50 pF
Voltage (Peak Test U_{pt} / Peak Working U_{pw})	12 kV / 7.2 kV
Capacitance Tolerance (linear Range)	10%
Max. Current I_{max} at 13.56 MHz with	94 Arms
Conduction Cooling	20 W
Self Inductance	≤ 10 nH
Capacitance per turn	42.1 pF/turn
Torque	≤ 0.2 Nm
Net Weight	0.65 kg



I_{max} at 25°C ambient and 125°C surface temp. for convection and conduction (20 W) cooling



Subject to change without prior notice

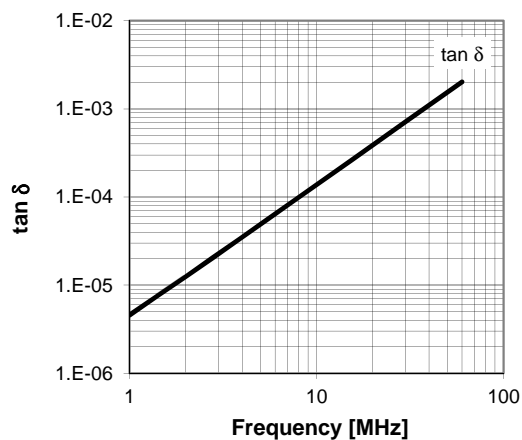
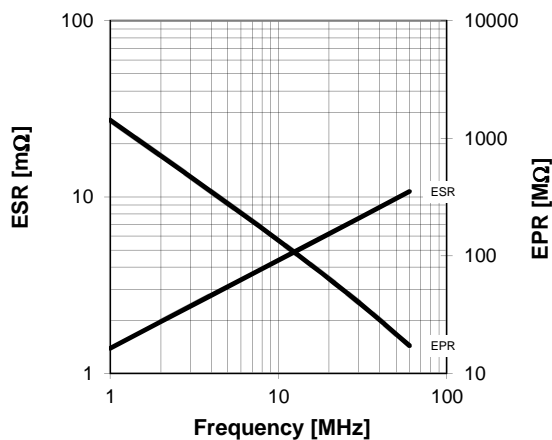
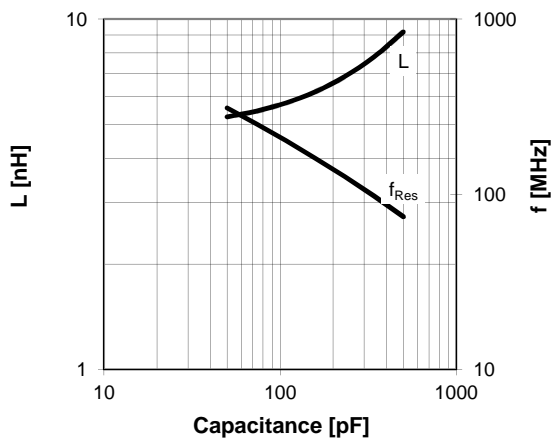
Note: Technical information in Service Bulletin
SB-52 must be considered

CVUN-500BC/12-BAJA-Z

Turns	Nominal Capacitance [pF]	Tolerance
0.0	50.0	0%
2.0	132.6	10%
4.0	215.8	10%
6.0	300.1	10%
8.0	384.3	10%
10.7	500.0	10%

Mechanical stop at < 50 pF at ~ -1 turns
Mechanical stop at > 500 pF at ~ 10.9 turns

Self inductance and resonance frequency



Special Features:
Special Series Features: Red Aluminum Cap

Subject to change without prior notice

Note: Technical information in Service Bulletin
SB-52 must be considered