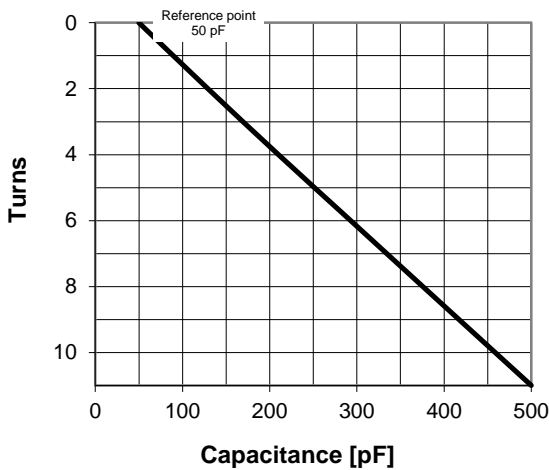
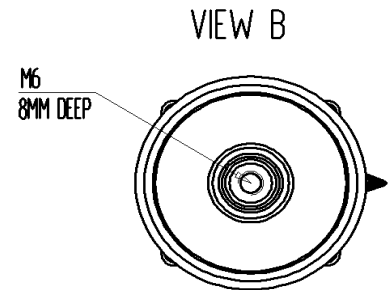
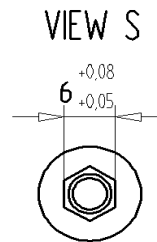
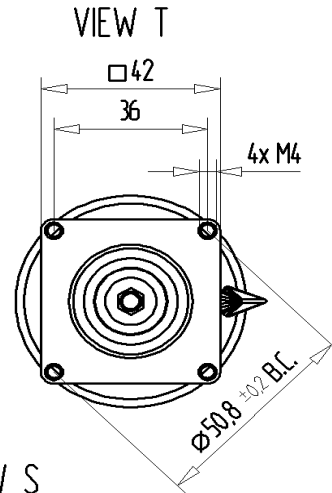
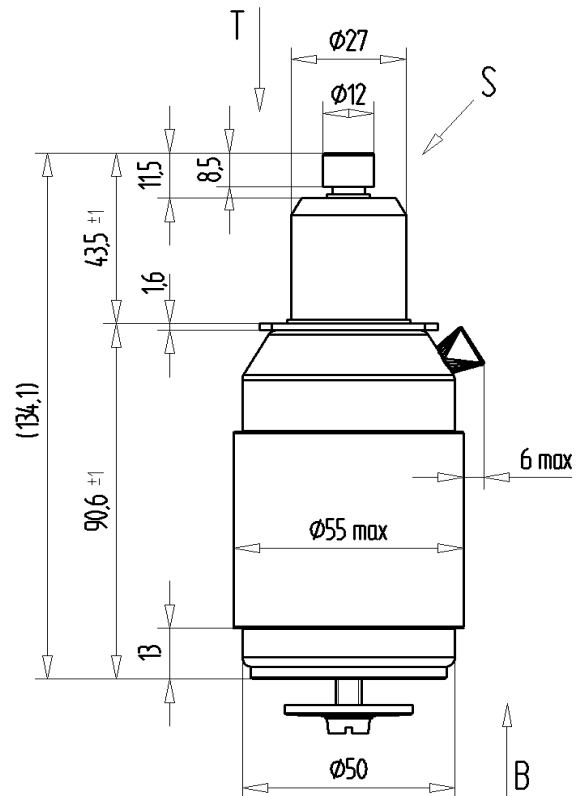
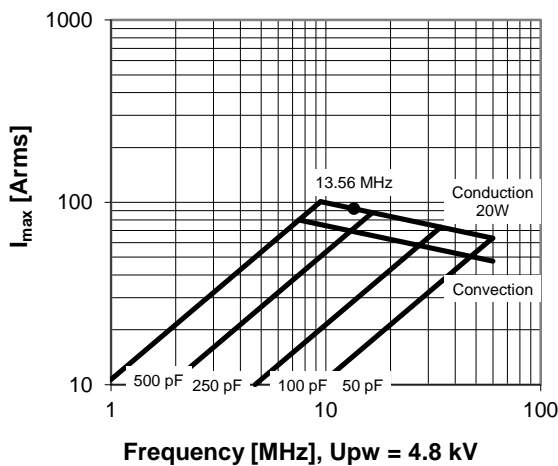


CVUN-500AC/8-JHJL-Z1

Specifications	
Capacitance C_{max} (nominal)	500 pF
Capacitance C_{min} (nominal)	50 pF
Voltage (Peak Test U_{pt} / Peak Working U_{pw})	8 kV / 4.8 kV
Capacitance Tolerance (linear Range)	10%
Max. Current I_{max} at 13.56 MHz with	92 Arms
Conduction Cooling	20 W
Self Inductance	≤ 8 nH
Capacitance per turn	40.9 pF/turn
Torque	≤ 0.2 Nm
Net Weight	0.5 kg



I_{max} at 25°C ambient and 125°C surface temp. for convection and conduction (20 W) cooling



Subject to change without prior notice

Note: Technical information in Service Bulletin SB-52 must be considered

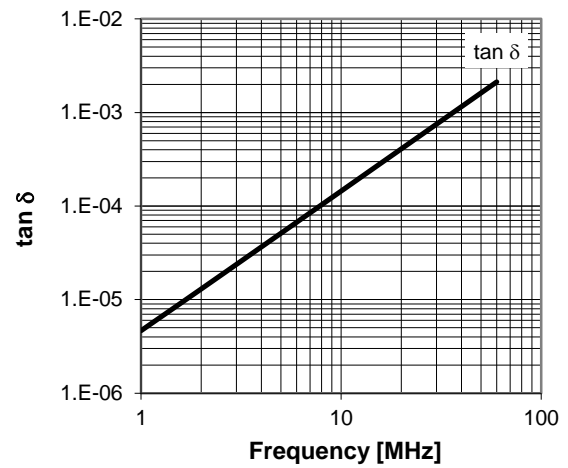
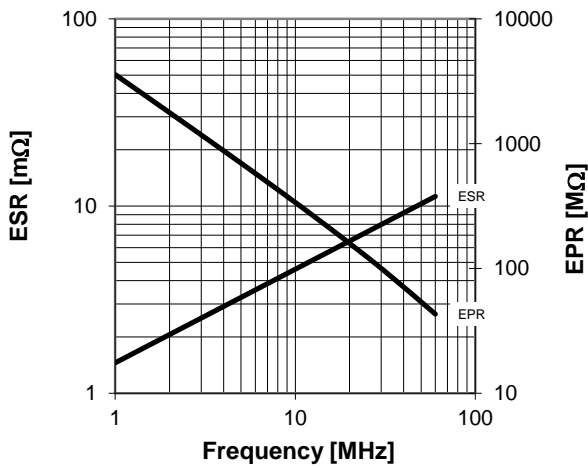
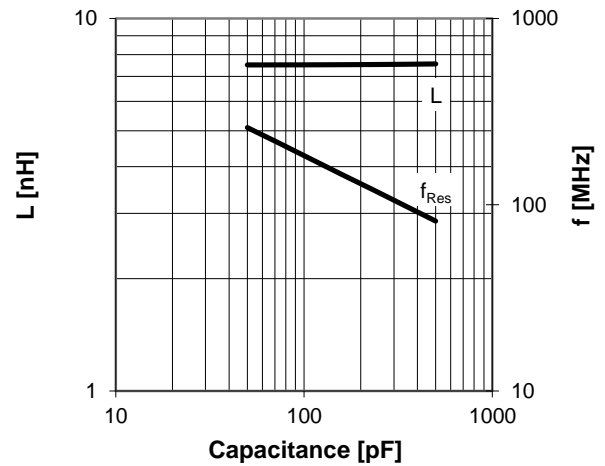
Issue: 25-May-2012

CVUN-500AC/8-JHJL-Z1

Turns	Nominal Capacitance [pF]	Tolerance
0.0	50.0	0%
2.0	129.1	10%
4.0	210.0	10%
6.0	292.8	10%
8.0	375.6	10%
11.0	500.0	10%

Mechanical stop at < 50 pF at ~ -0.5 turns
Mechanical stop at > 500 pF at ~ 11.2 turns

Self inductance and resonance frequency



Special Features:

Special Series Features, RoHS Compliant

Subject to change without prior notice

Note: Technical information in Service Bulletin
SB-52 must be considered