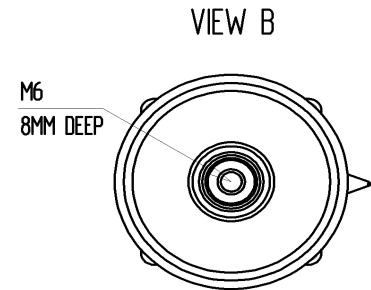
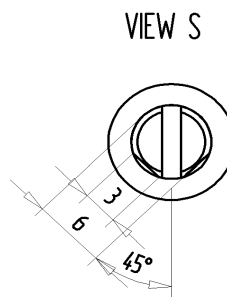
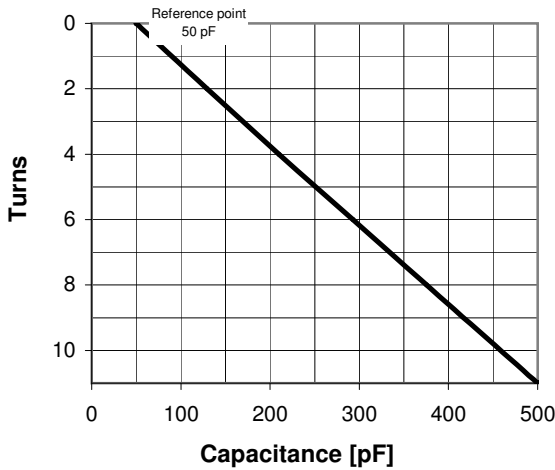
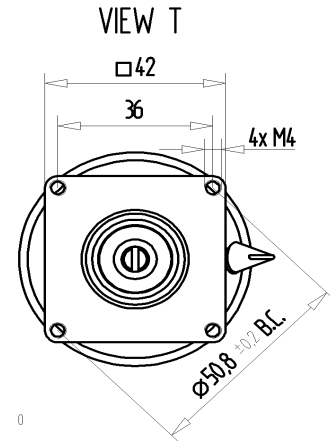


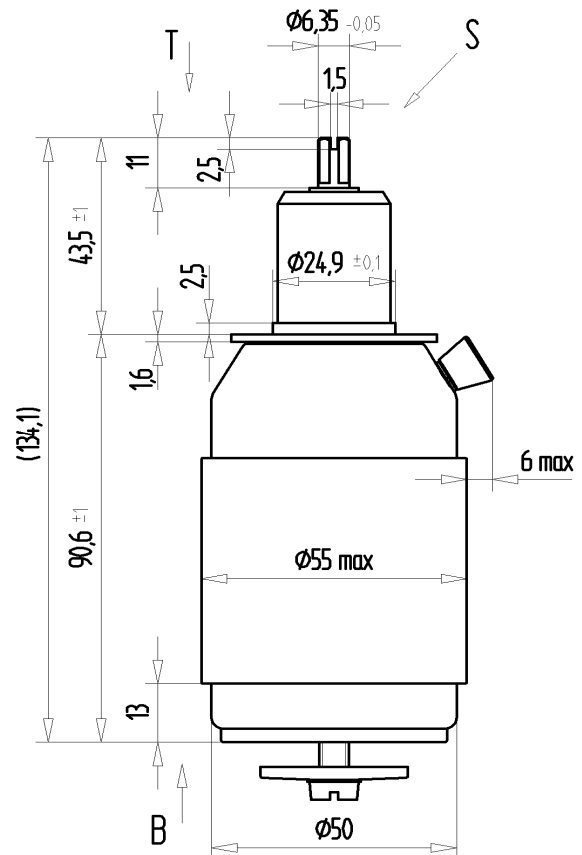
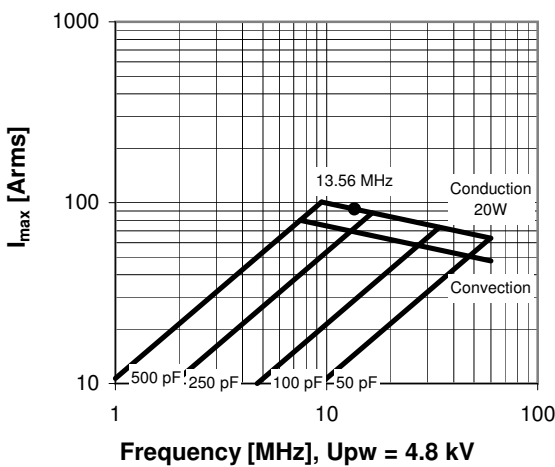
CVUN-500AC/8-BEJA-Z

Specifications

Capacity C_{max} (nominal)	500 pF
Capacity C_{min} (nominal)	50 pF
Voltage (Peak Test U_{pt} / Peak Working U_{pw})	8 kV / 4.8 kV
Capacity Tolerance (linear Range)	10%
Max. Current I_{max} at 13.56 MHz with	92 Arms
Conduction Cooling	20 W
Self Inductance	≤ 8 nH
Capacitance per turn	40.9 pF/turn
Torque	≤ 0.2 Nm
Net Weight	0.5 kg



I_{max} at 25°C ambient and 125°C surface temp. for convection and conduction (20 W) cooling

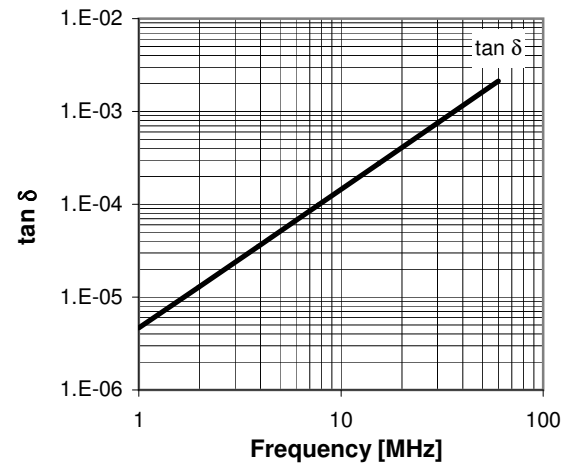
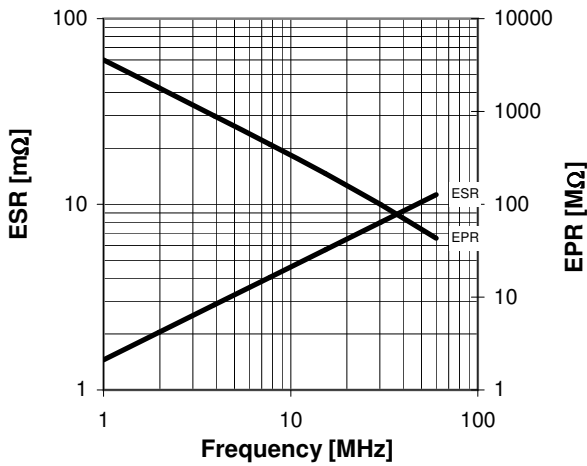
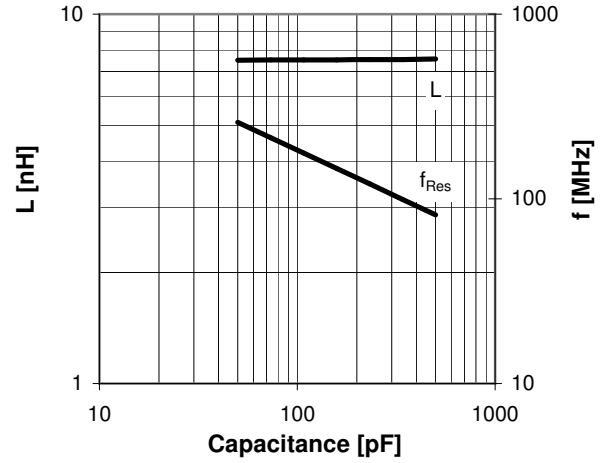


CVUN-500AC/8-BEJA-Z

Turns	Nominal Capacitance [pF]	Tolerance
0.0	50.0	0%
2.0	129.1	10%
4.0	210.0	10%
6.0	292.8	10%
8.0	375.6	10%
11.0	500.0	10%

Mechanical stop at < 50 pF at ~ -0.5 turns
Mechanical stop at > 500 pF at ~ 11.2 turns

Self inductance and resonance frequency



Special Features:

Special Series Features