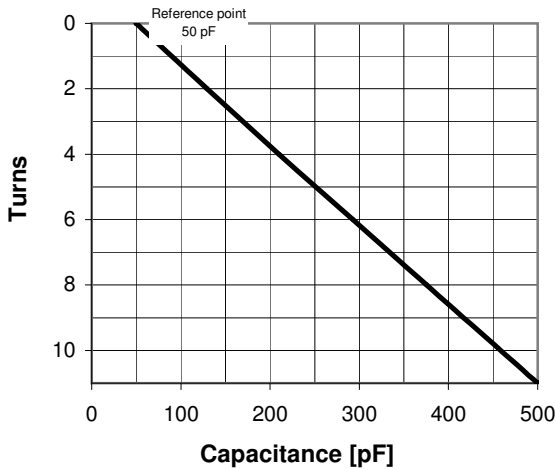
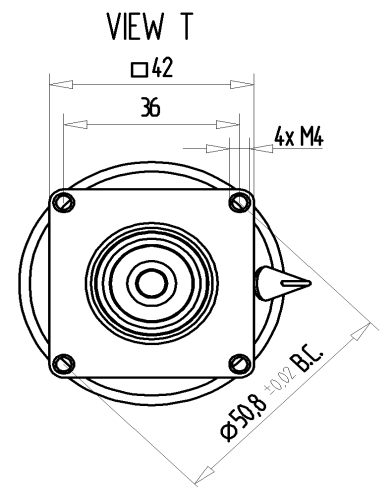
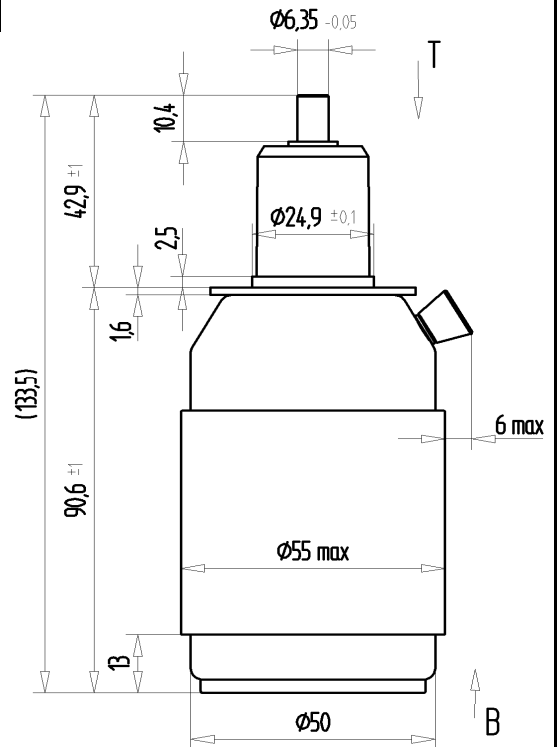
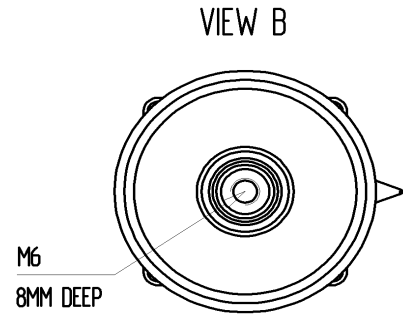
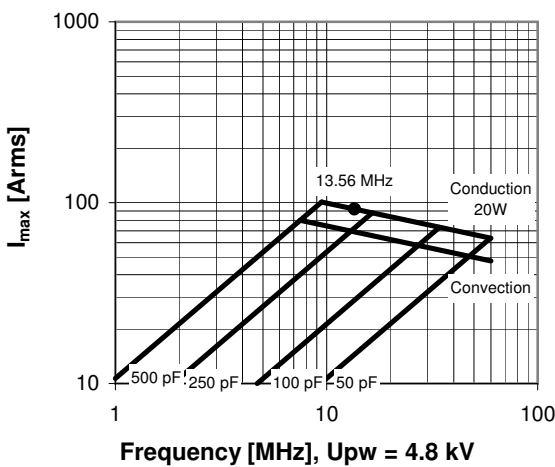


## CVUN-500AC/8-BAJL

| Specifications  |               |
|---|---------------|
| Capacity $C_{max}$ (nominal)                                | 500 pF        |
| Capacity $C_{min}$ (nominal)                                | 50 pF         |
| Voltage (Peak Test $U_{pt}$ / Peak Working $U_{pw}$ )       | 8 kV / 4.8 kV |
| Capacity Tolerance (linear Range)                           | 10%           |
| Max. Current $I_{max}$ at 13.56 MHz with Conduction Cooling | 92 Arms       |
| Self Inductance   | $\leq 8$ nH   |
| Capacitance per turn  | 40.9 pF/turn  |
| Torque  | $\leq 0.2$ Nm |
| Net Weight  | 0.5 kg        |



$I_{max}$  at 25°C ambient and 125°C surface temp. for convection and conduction (20 W) cooling



Subject to change without prior notice

Note: Technical information in Service Bulletin SB-52 must be considered

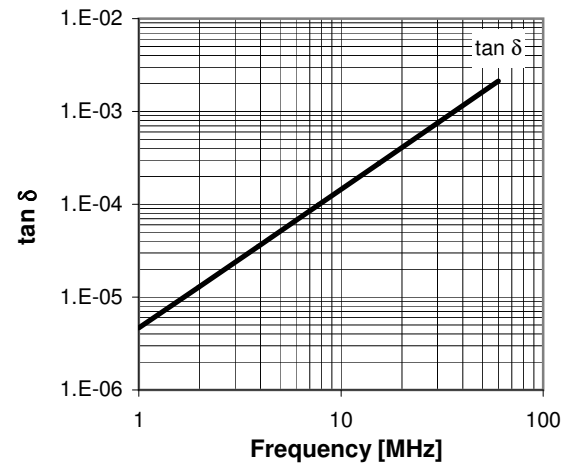
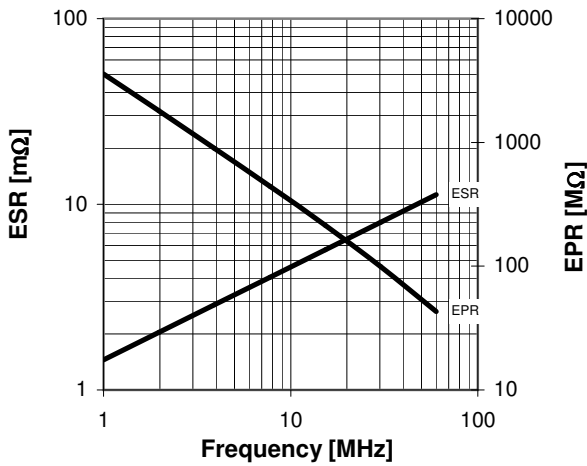
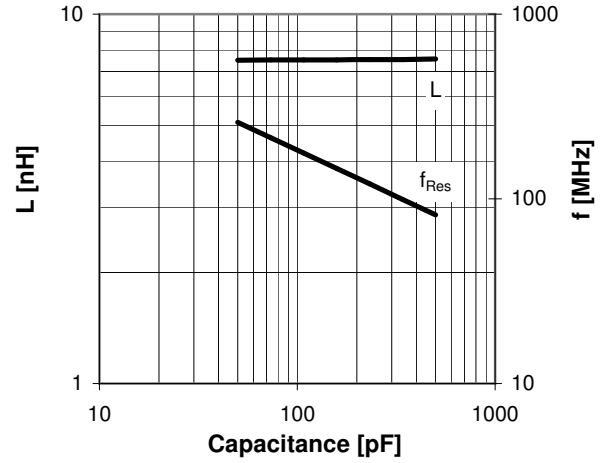
Issue: 20-May-2009

## CVUN-500AC/8-BAJL

| Turns | Nominal Capacitance [pF] | Tolerance |
|-------|--------------------------|-----------|
| 0.0   | 50.0                     | 0%        |
| 2.0   | 129.1                    | 10%       |
| 4.0   | 210.0                    | 10%       |
| 6.0   | 292.8                    | 10%       |
| 8.0   | 375.6                    | 10%       |
| 11.0  | 500.0                    | 10%       |

Mechanical stop at < 50 pF at ~ -0.5 turns  
Mechanical stop at > 500 pF at ~ 11.2 turns

Self inductance and resonance frequency



**Special Feature**

Fully RoHS compliant

Subject to change without prior notice

Note: Technical information in Service Bulletin  
SB-52 must be considered