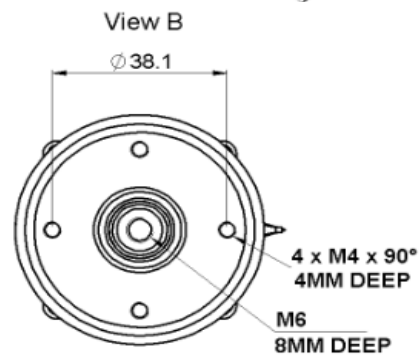
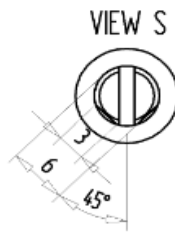
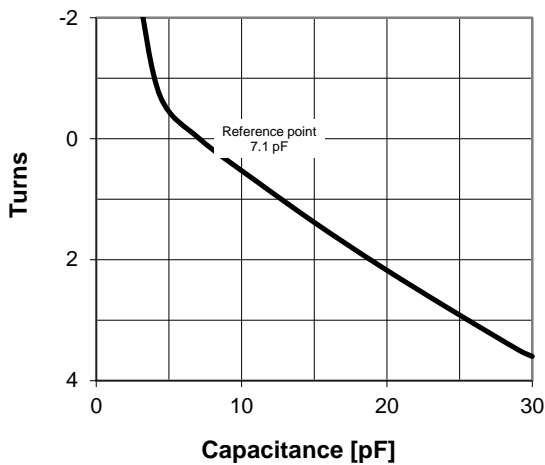
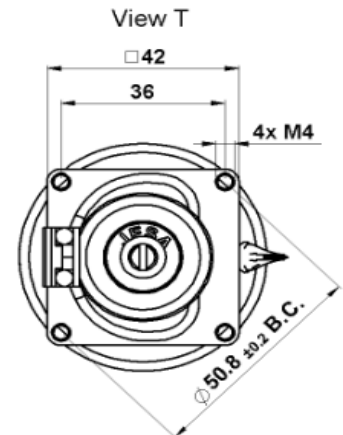


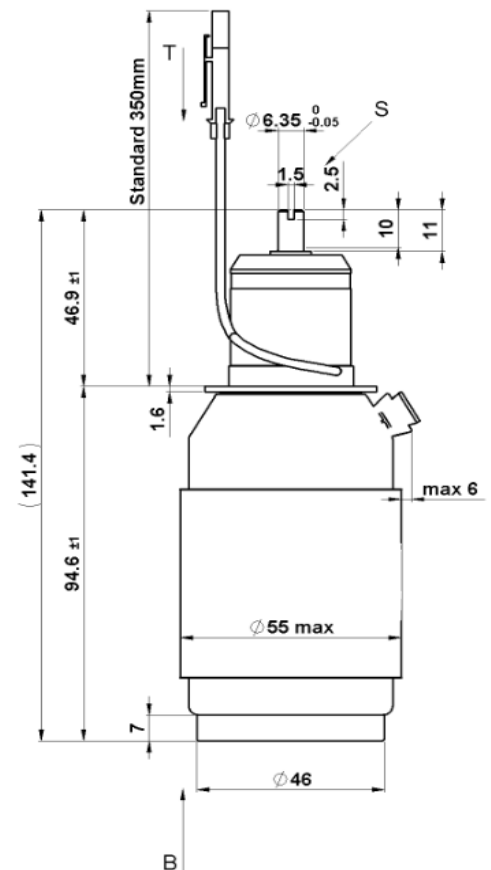
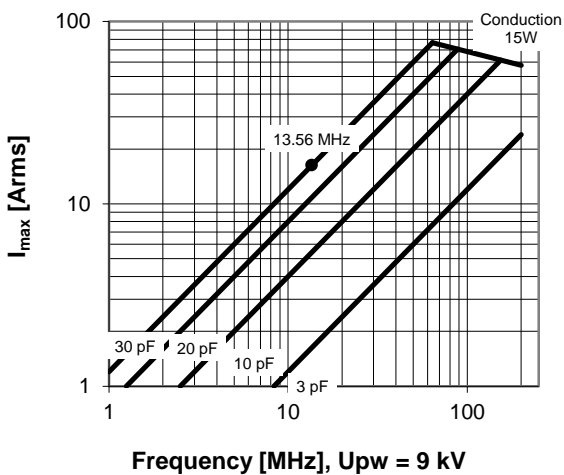
CVUN-30AC/15-BEFA-C

Specifications

Capacitance C_{max} (nominal)	30 pF
Capacitance C_{min} (nominal)	3 pF
Voltage (Peak Test U_{pt} / Peak Working U_{pw})	15 kV / 9 kV
Capacitance Tolerance (linear Range)	10%
Max. Current I_{max} at 13.56 MHz with	16 Arms
Conduction Cooling	15 W
Self Inductance	≤ 8 nH
Capacitance per turn	6.4 pF/turn
Torque	≤ 0.2 Nm
Net Weight	0.58 kg



I_{max} at 25°C ambient and 125°C surface temp. for convection and conduction (15 W) cooling



Subject to change without prior notice

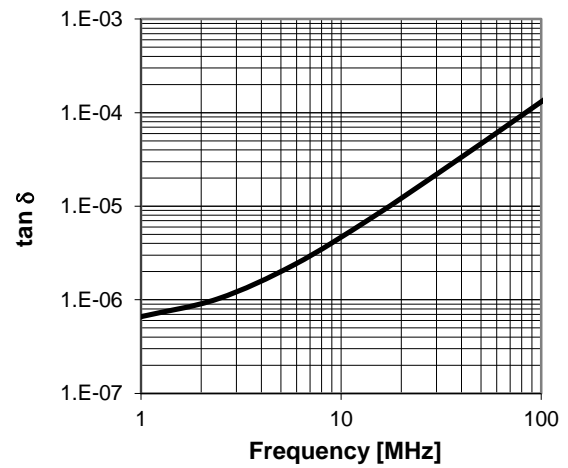
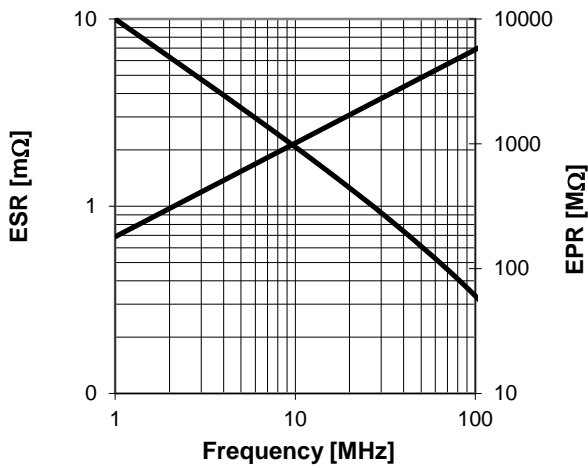
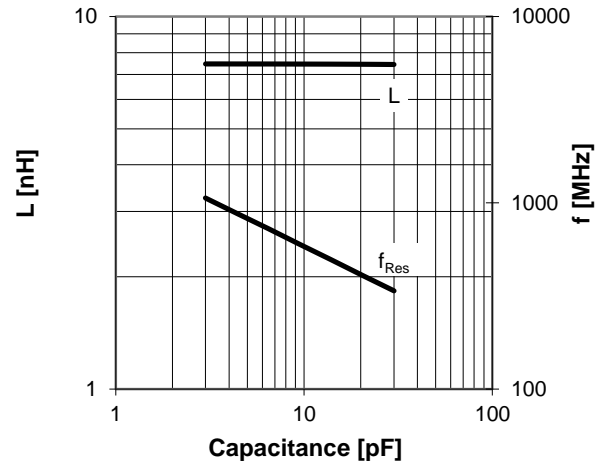
Note: Technical information in Service Bulletins SB-32 and SB-52 must be considered

CVUN-30AC/15-BEFA-C

Turns	Nominal Capacitance [pF]	Tolerance
-2.3	3.0	10%
-0.7	4.4	10%
0.0	7.1	0%
0.7	11.0	10%
1.4	15.1	10%
2.1	19.5	10%
2.8	24.2	10%
3.5	29.1	10%
3.6	30.0	10%

Mechanical stop at < 3 pF at ~ -4.5 turns
Mechanical stop at > 30 pF at ~ 3.8 turns

Self inductance and resonance frequency



Special Features:

Opti-Cap 2000

Subject to change without prior notice

Note: Technical information in Service Bulletins
SB-32 and SB-52 must be considered