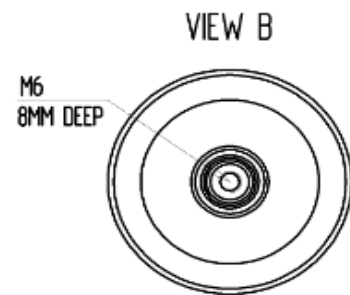
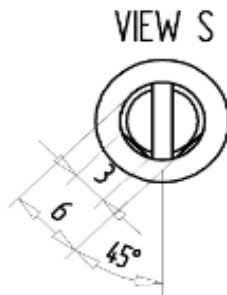
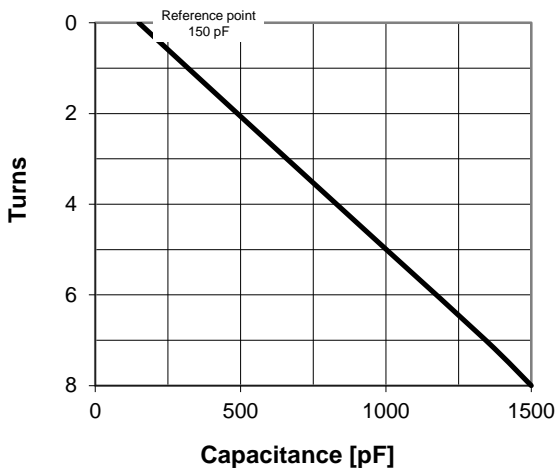
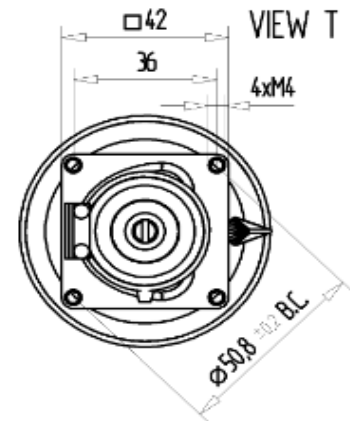
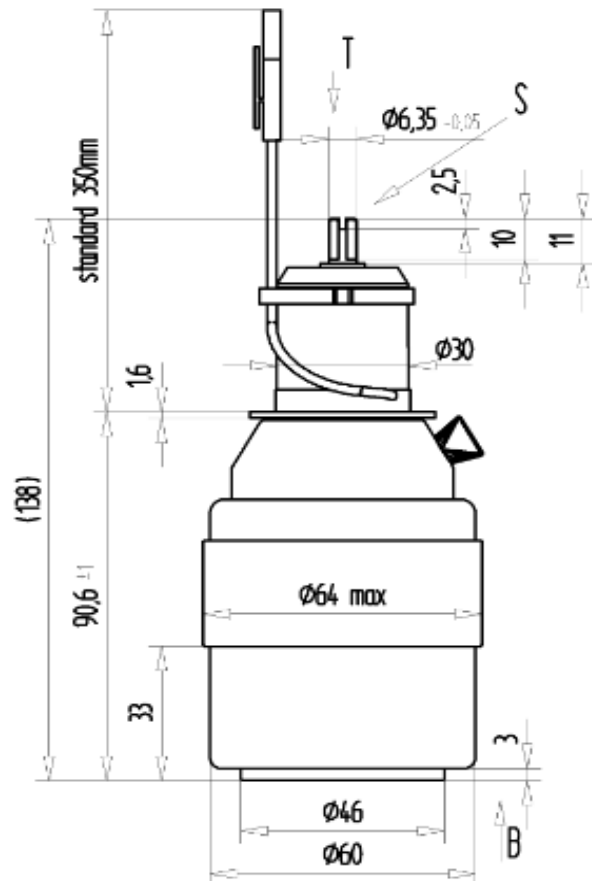
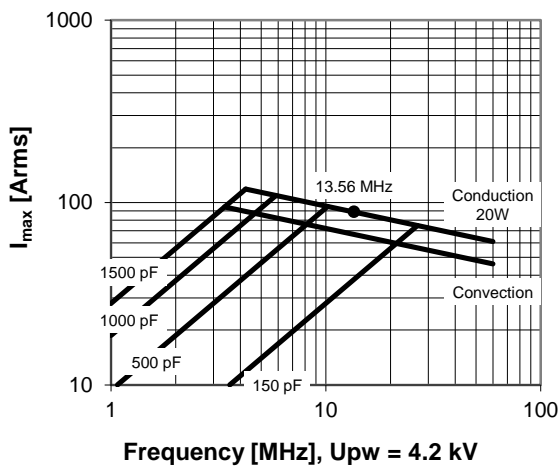


CVUN-1500BC/7-BEFA-C

Specifications	
Capacitance C_{max} (nominal)	1500 pF
Capacitance C_{min} (nominal)	150 pF
Voltage (Peak Test U_{pt} / Peak Working U_{pw})	7 kV / 4.2 kV
Capacitance Tolerance (linear Range)	10%
Max. Current I_{max} at 13.56 MHz with	88 Arms
Conduction Cooling	20 W
Self Inductance	≤ 11 nH
Capacitance per turn	168.8 pF/turn
Torque	≤ 0.2 Nm
Net Weight	0.65 kg



I_{max} at 25°C ambient and 125°C surface temp. for convection and conduction (20 W) cooling



Subject to change without prior notice

Note: Technical information in Service Bulletins SB-32 and SB-52 must be considered

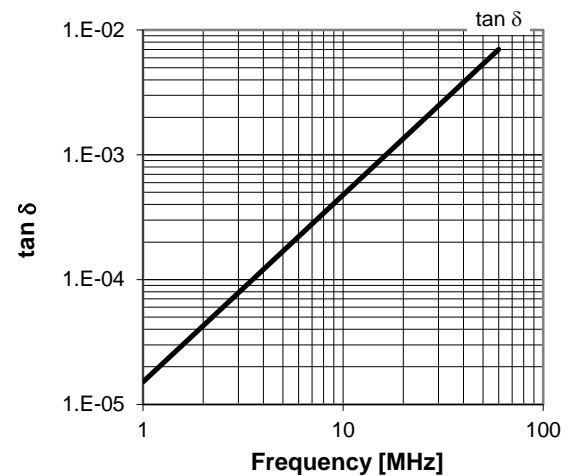
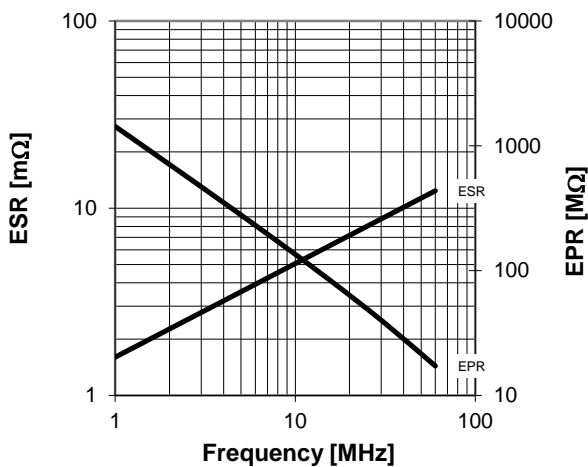
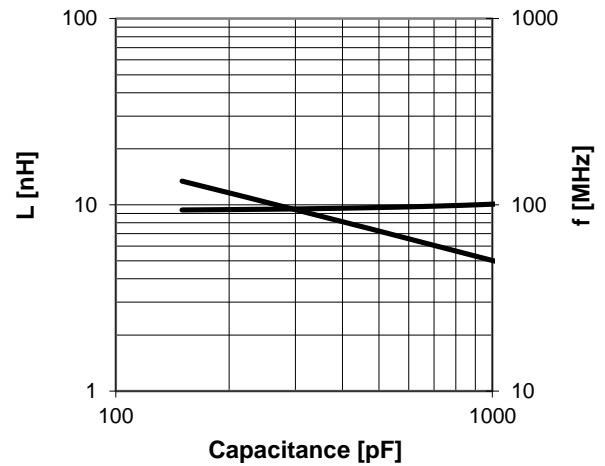
CVUN-1500BC/7-BEFA-C

Turns	Nominal Capacitance [pF]	Tolerance
0.0	150.0	0%
1.0	319.3	10%
3.0	659.5	10%
5.0	1001.4	10%
7.0	1343.4	10%
8.0	1500.0	10%

Mechanical stop at < 150 pF at ~ -0.3 turns

Mechanical stop at > 1500 pF at ~ 8 turns

Self inductance and resonance frequency



Special Features:

Opti-Cap 2000

Subject to change without prior notice

Note: Technical information in Service Bulletins
SB-32 and SB-52 must be considered