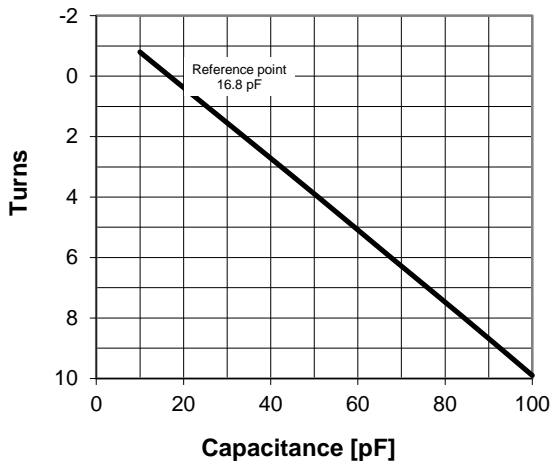
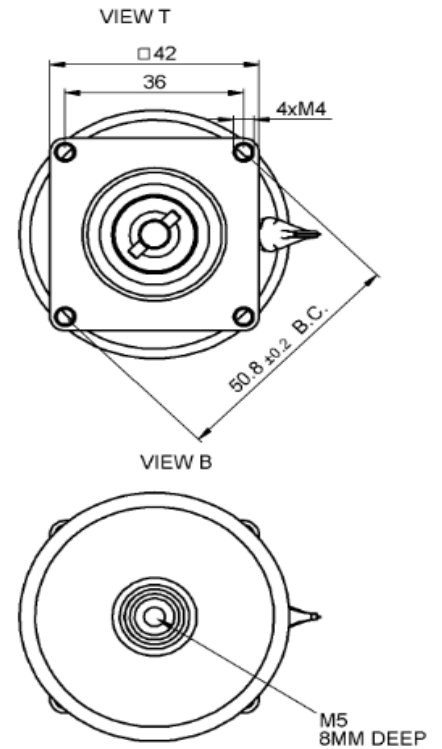


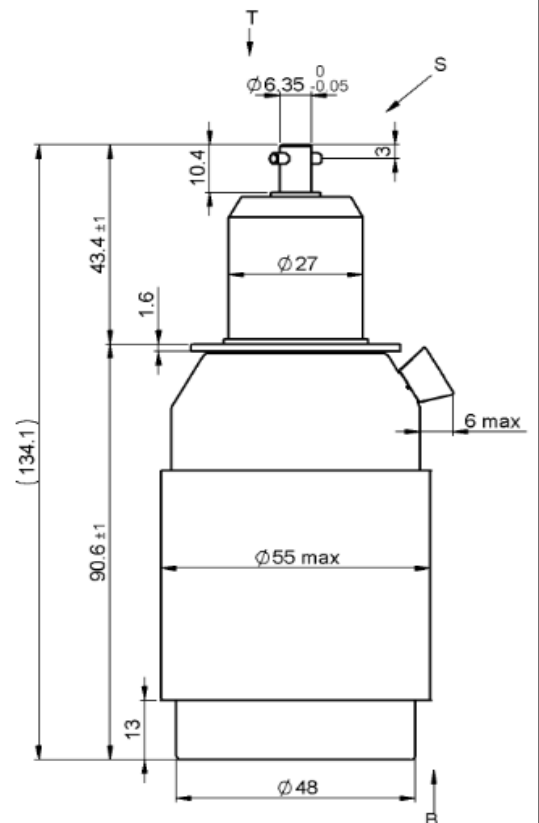
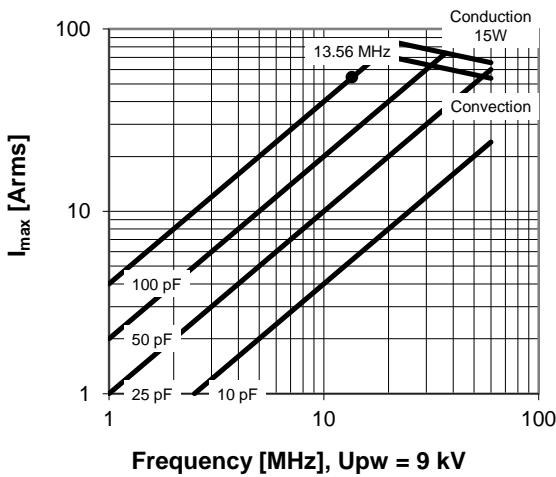
CVUN-100AC/15-BGJA-Z

Specifications

Capacitance C_{max} (nominal)	100 pF
Capacitance C_{min} (nominal)	10 pF
Voltage (Peak Test U_{pt} / Peak Working U_{pw})	15 kV / 9 kV
Capacitance Tolerance (linear Range)	10%
Max. Current I_{max} at 13.56 MHz with	54 Arms
Conduction Cooling	15 W
Self Inductance	≤ 8 nH
Capacitance per turn	8.4 pF/turn
Torque	≤ 0.2 Nm
Net Weight	0.5 kg



I_{max} at 25°C ambient and 125°C surface temp. for convection and conduction (15 W) cooling



Subject to change without prior notice

Note: Technical information in Service Bulletin SB-52 must be considered

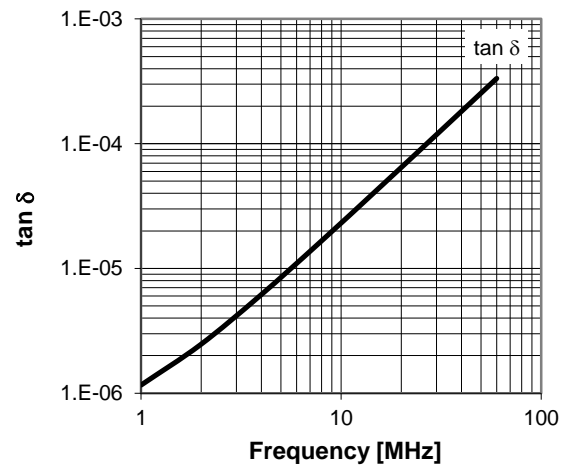
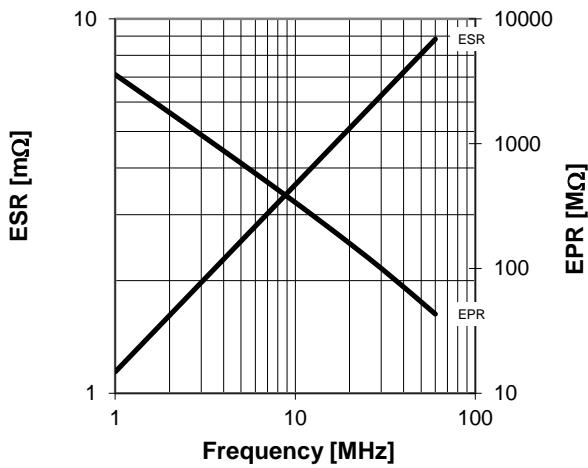
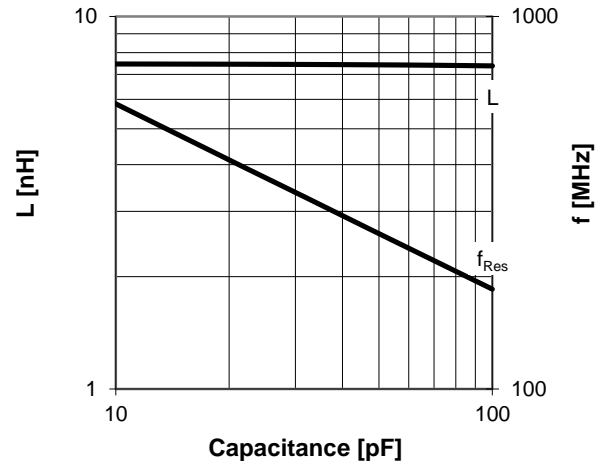
Issue: 12-Apr-2016

CVUN-100AC/15-BGJA-Z

Turns	Nominal Capacitance [pF]	Tolerance
-0.8	10.0	10%
0.0	16.8	0%
2.0	33.9	10%
4.0	50.9	10%
6.0	67.6	10%
8.0	84.4	10%
9.9	100.0	10%

Mechanical stop at < 10 pF at ~ -1.5 turns
Mechanical stop at > 100 pF at ~ 10.3 turns

Self inductance and resonance frequency



Special Features:

Special Series Features

Subject to change without prior notice

Note: Technical information in Service Bulletin
SB-52 must be considered

Issue: 12-Apr-2016