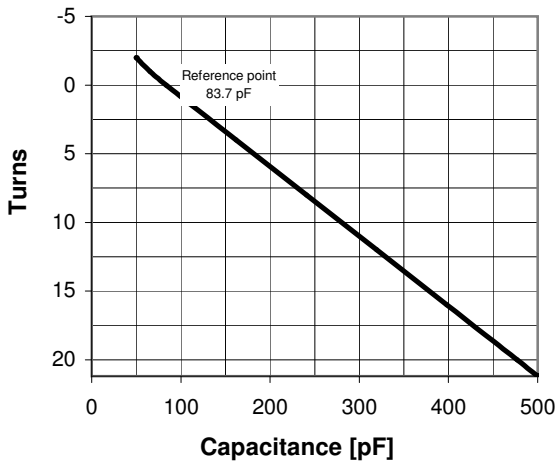
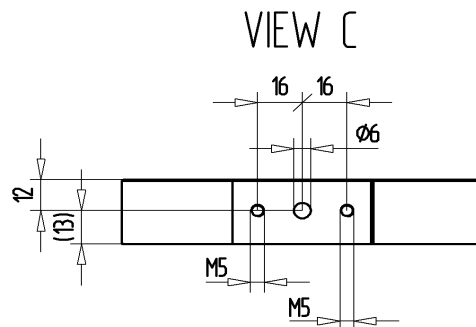
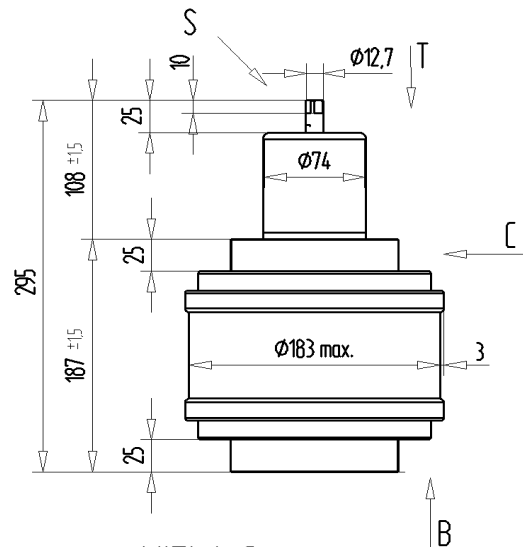
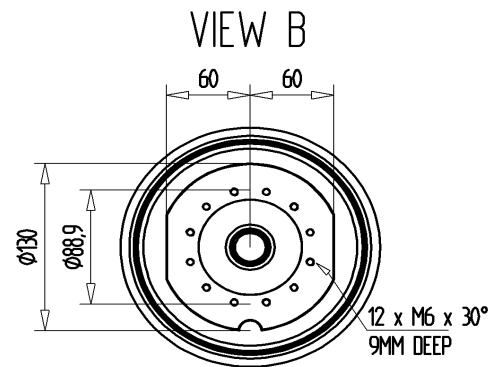
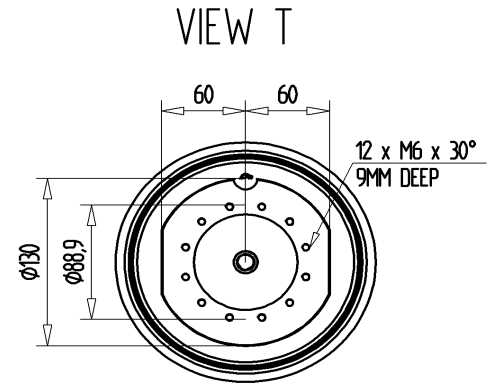
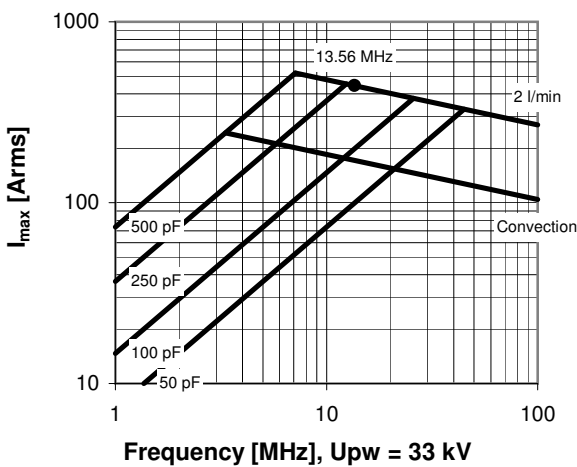


## CVSU-500AW/55-ADUD

Specifications	
Capacity $C_{max}$ (nominal)	500 pF
Capacity $C_{min}$ (nominal)	50 pF
Voltage (Peak Test $U_{pt}$ / Peak Working $U_{pw}$ )	55 kV / 33 kV
Capacity Tolerance (linear Range)	10%
Max. Current $I_{max}$ at 13.56 MHz with	443 Arms
Water Cooling	2 l/min
Self Inductance	$\leq 20$ nH
Capacitance per turn	19.6 pF/turn
Torque	$\leq 0.8$ Nm
Net Weight	11 kg



$I_{max}$  for 2 l/min water cooling; max. water temp. at inlet: 70°C;  
fixed end has to be cooled with min. 50 W



Subject to change without prior notice

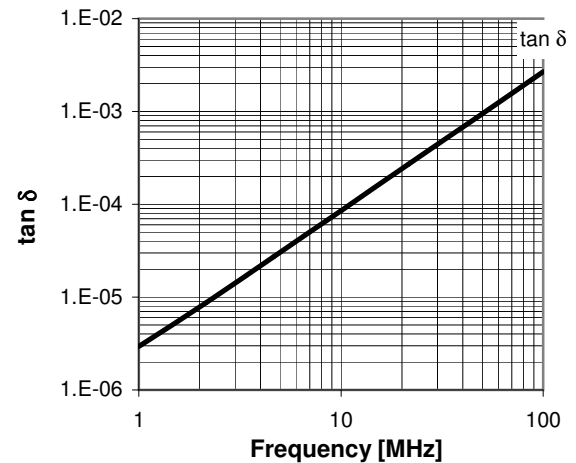
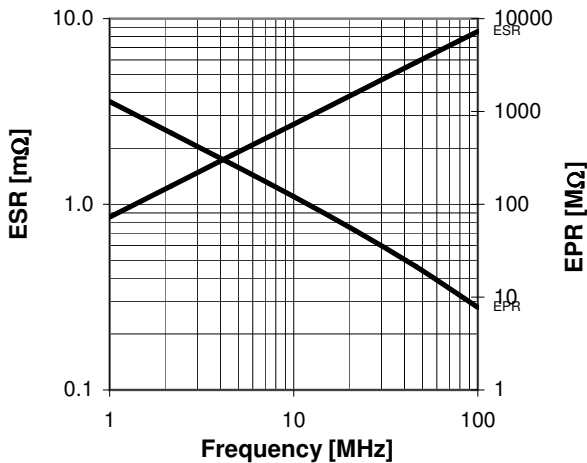
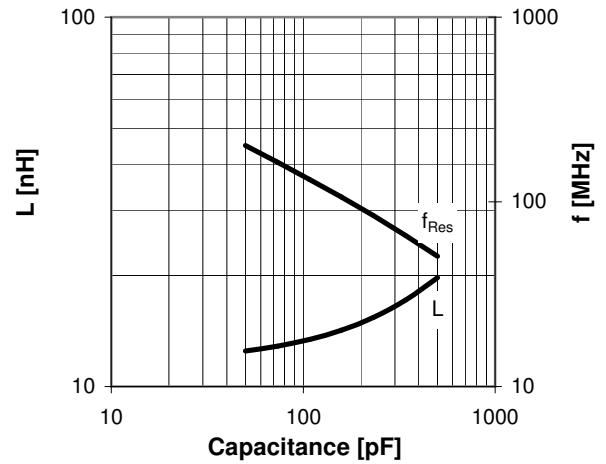
Note: Technical information in Service Bulletin  
SB-52 must be considered

## CVSU-500AW/55-ADUD

Turns	Nominal Capacitance [pF]	Tolerance
-2.0	50.0	10%
-1.0	65.5	10%
0.0	83.7	0%
4.0	161.9	10%
8.0	240.7	10%
12.0	319.3	10%
16.0	398.1	10%
20.0	477.2	10%
21.2	500.0	10%

Mechanical stop at < 50 pF at ~ -5.1 turns  
Mechanical stop at > 500 pF at ~ 21.5 turns

Self inductance and resonance frequency



Subject to change without prior notice

Note: Technical information in Service Bulletin  
SB-52 must be considered