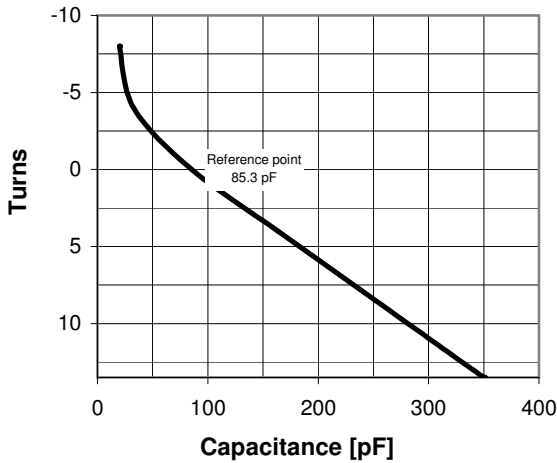
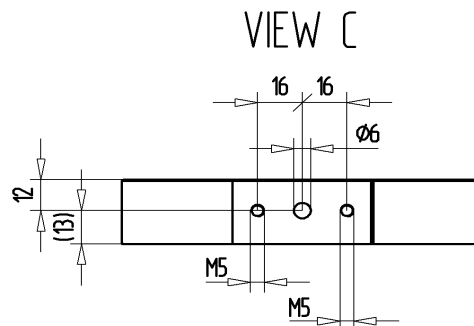
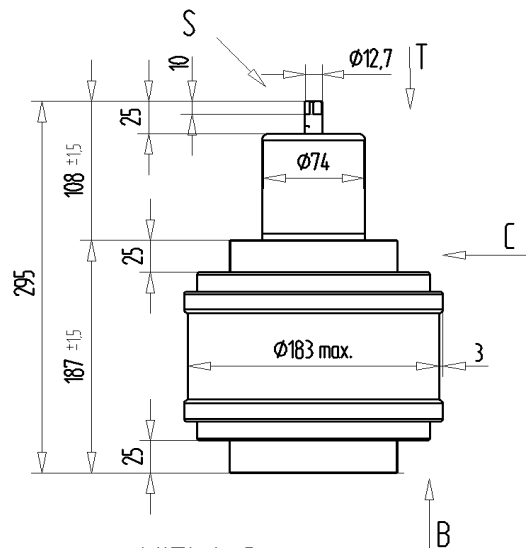
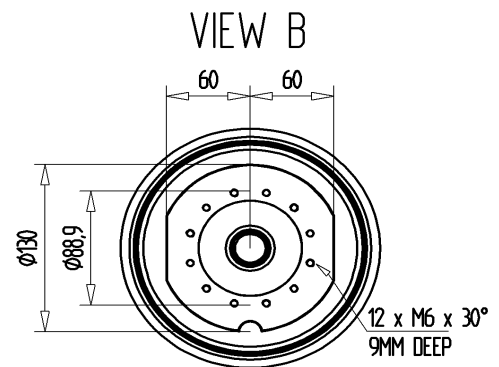
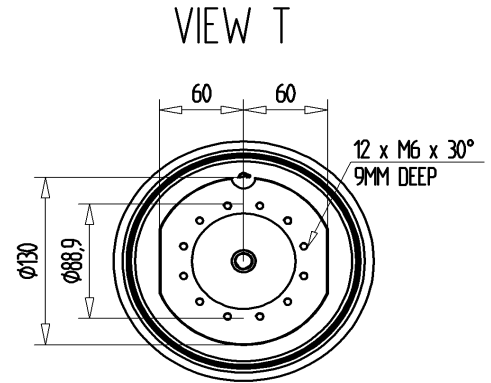
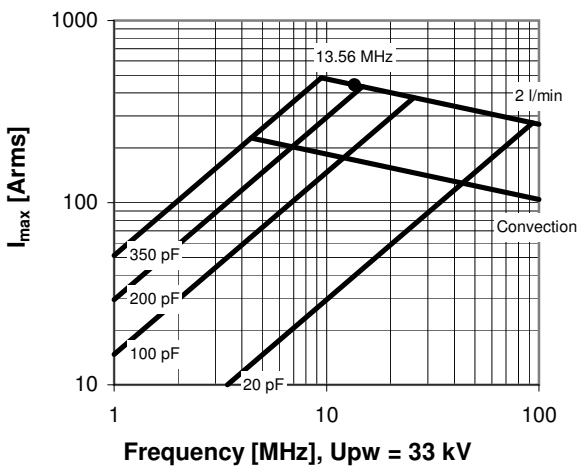


## CVSU-350AW/55-ADUD

Specifications	
Capacity $C_{max}$ (nominal)	350 pF
Capacity $C_{min}$ (nominal)	20 pF
Voltage (Peak Test $U_{pt}$ / Peak Working $U_{pw}$ )	55 kV / 33 kV
Capacity Tolerance (linear Range)	10%
Max. Current $I_{max}$ at 13.56 MHz with	443 Arms
Water Cooling	2 l/min
Self Inductance	$\leq 18$ nH
Capacitance per turn	19.6 pF/turn
Torque	$\leq 0.8$ Nm
Net Weight	10.8 kg



$I_{max}$  for 2 l/min water cooling; max. water temp. at inlet: 70°C;  
fixed end has to be cooled with min. 50 W



Subject to change without prior notice

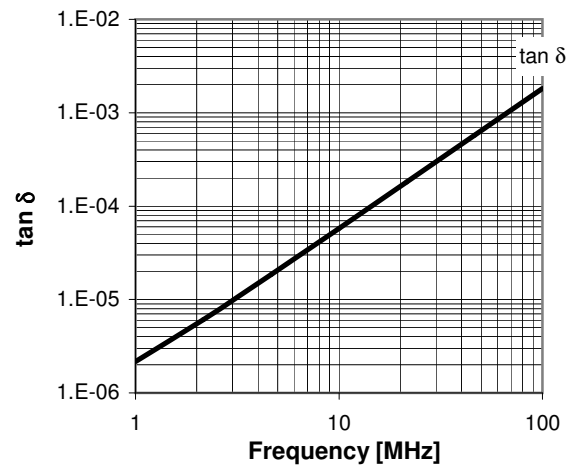
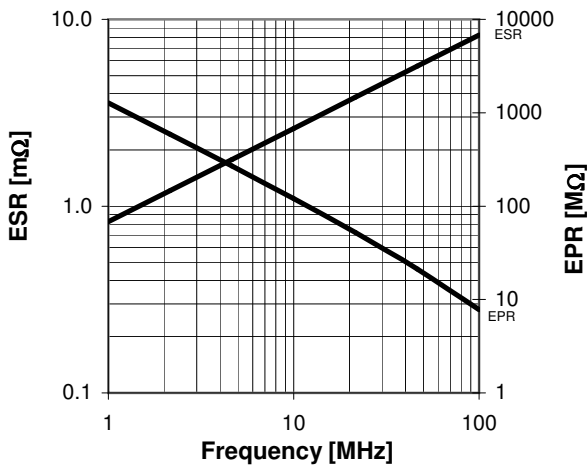
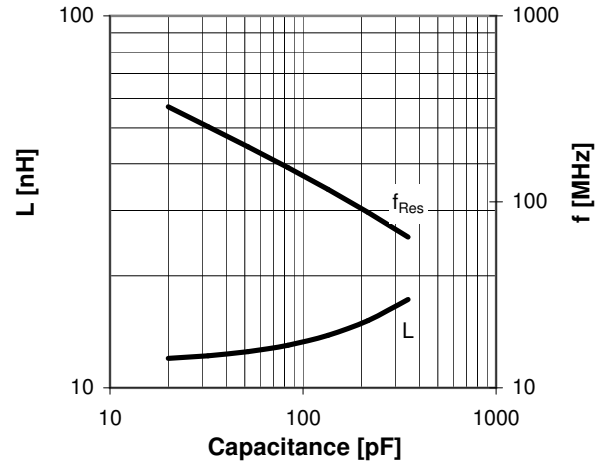
Note: Technical information in Service Bulletin  
SB-52 must be considered

## CVSU-350AW/55-ADUD

Turns	Nominal Capacitance [pF]	Tolerance
-8.0	20.0	10%
-4.0	32.8	10%
0.0	85.3	0%
4.0	163.7	10%
8.0	242.0	10%
12.0	320.5	10%
13.5	350.0	10%

Mechanical stop at < 20 pF at ~ -12.5 turns  
Mechanical stop at > 350 pF at ~ 14 turns

Self inductance and resonance frequency



**Special Features:**

RoHS Compliant

Subject to change without prior notice

Note: Technical information in Service Bulletin  
SB-52 must be considered