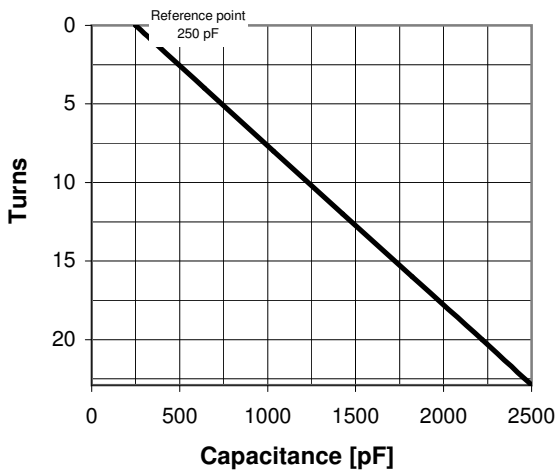
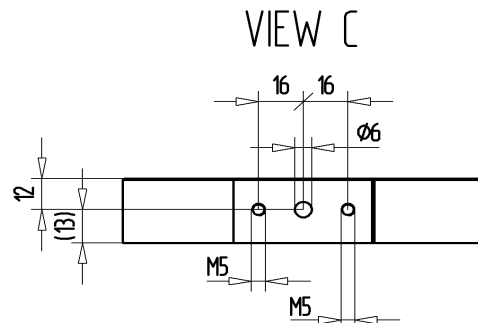
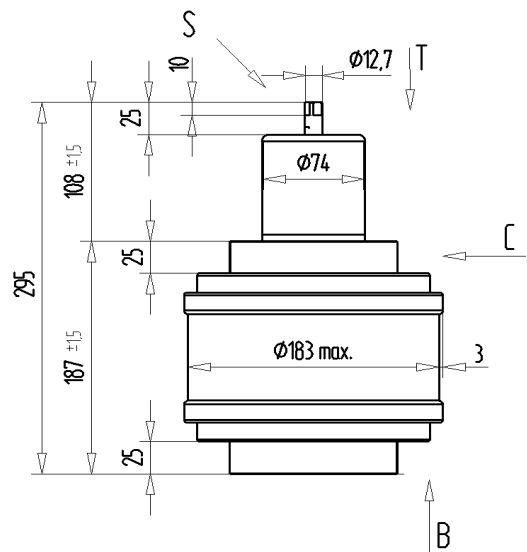
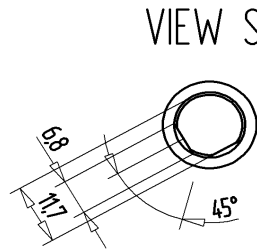
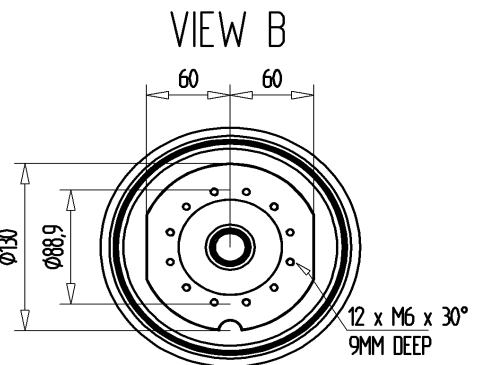
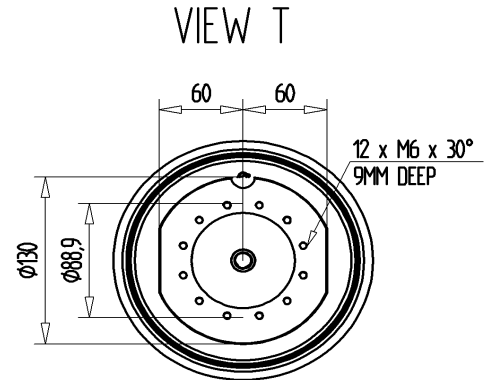
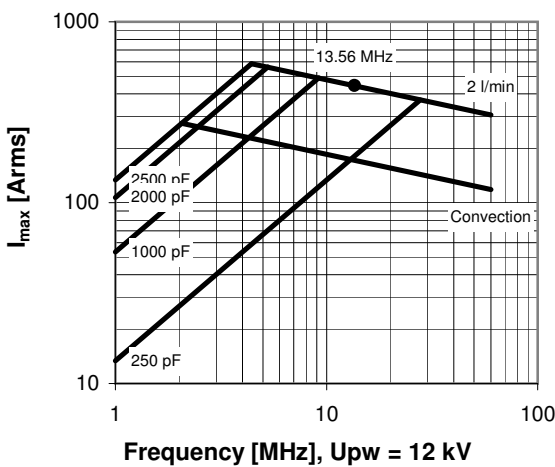


CVSU-2500AW/20-ADUD

Specifications	
Capacity C_{max} (nominal)	2500 pF
Capacity C_{min} (nominal)	250 pF
Voltage (Peak Test U_{pt} / Peak Working U_{pw})	20 kV / 12 kV
Capacity Tolerance (linear Range)	10%
Max. Current I_{max} at 13.56 MHz with	443 Arms
Water Cooling	2 l/min
Self Inductance	≤ 21 nH
Capacitance per turn	98.3 pF/turn
Torque	≤ 0.8 Nm
Net Weight	11.6 kg



I_{max} for 2 l/min water cooling; max. water temp. at inlet: 70°C;
fixed end has to be cooled with min. 50 W



Subject to change without prior notice

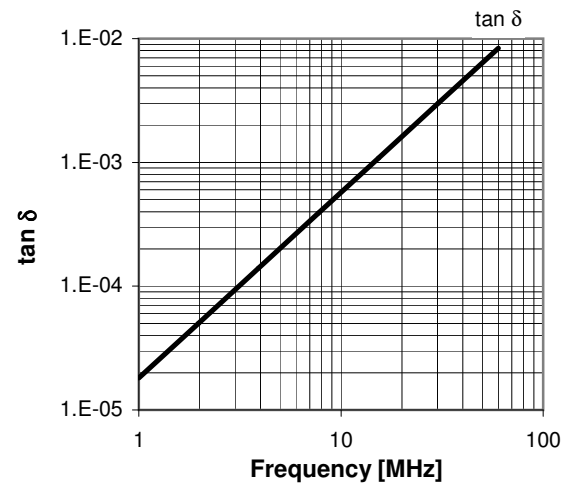
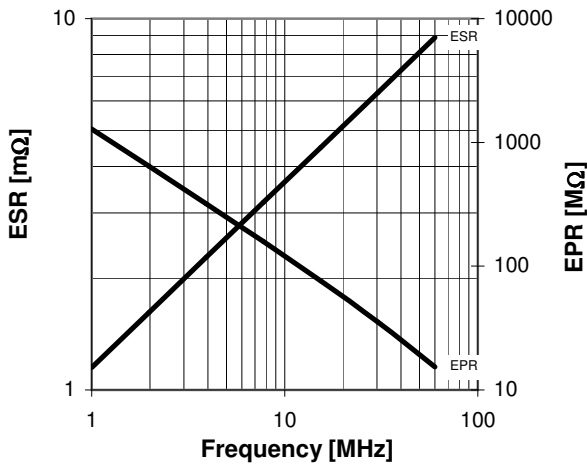
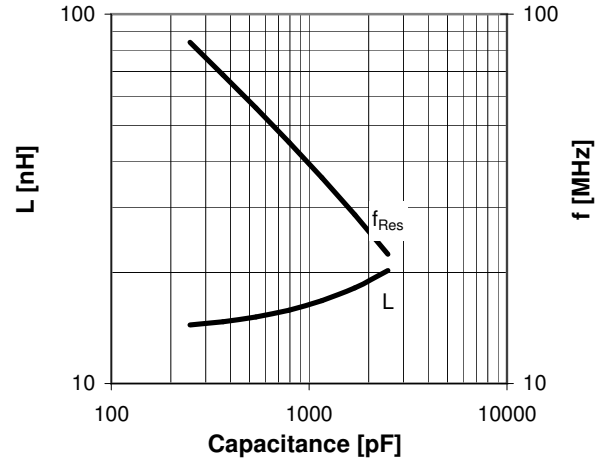
Note: Technical information in Service Bulletin
SB-52 must be considered

CVSU-2500AW/20-ADUD

Turns	Nominal Capacitance [pF]	Tolerance
0.0	250.0	0%
4.0	640.6	10%
8.0	1033.1	10%
12.0	1427.0	10%
16.0	1822.1	10%
20.0	2219.0	10%
22.9	2500.0	10%

Mechanical stop at < 250 pF at ~ -3.7 turns
Mechanical stop at > 2500 pF at ~ 23 turns

Self inductance and resonance frequency



Subject to change without prior notice

Note: Technical information in Service Bulletin
SB-52 must be considered