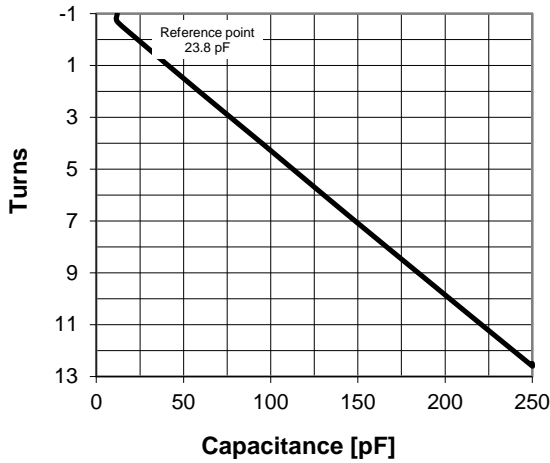
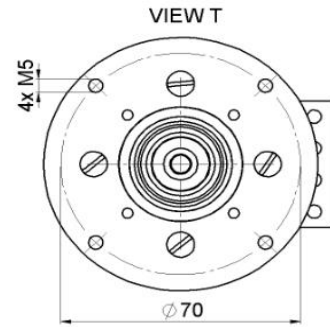


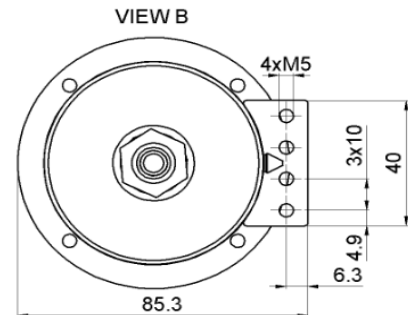
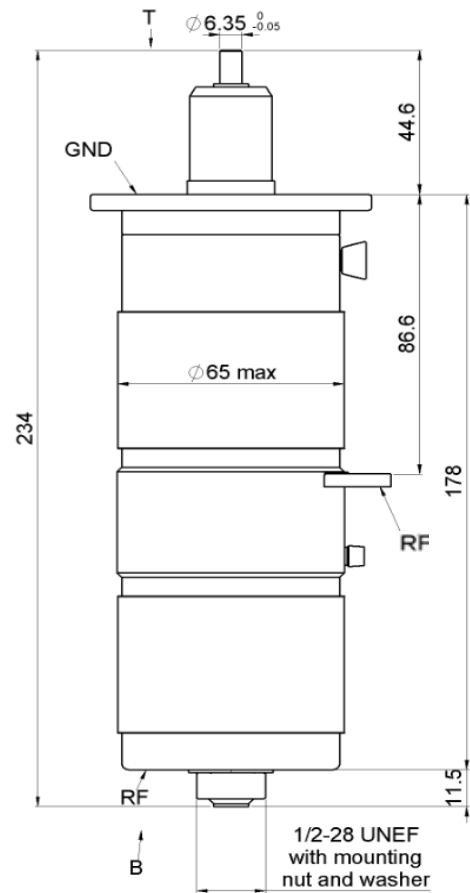
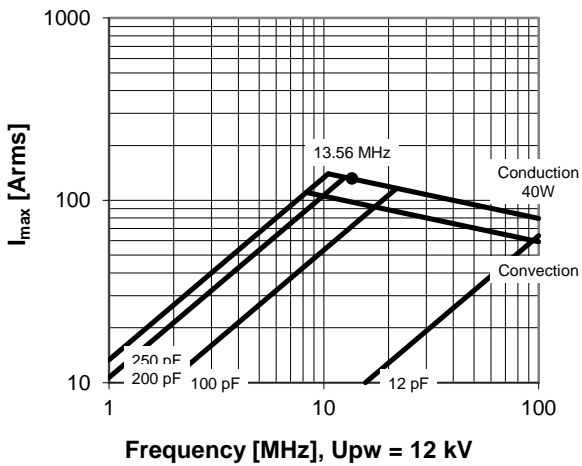
CVSM-250AC/20-BAJL

Specifications

Capacitance C_{max} (nominal)	250 pF
Capacitance C_{min} (nominal)	12 pF
Voltage (Peak Test U_{pt} / Peak Working U_{pw})	20 kV / 12 kV
Capacitance Tolerance (linear Range)	10%
Max. Current I_{max} at 13.56 MHz with	131 Arms
Conduction Cooling	40 W
Self Inductance	≤ 9 nH
Capacitance per turn	18 pF/turn
Torque	≤ 0.3 Nm
Net Weight	1.5 kg



I_{max} at 25°C ambient and 125°C surface temp. for convection and conduction (40 W) cooling



Subject to change without prior notice

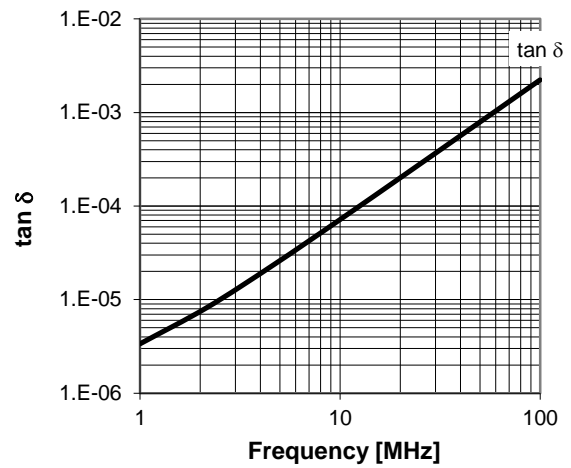
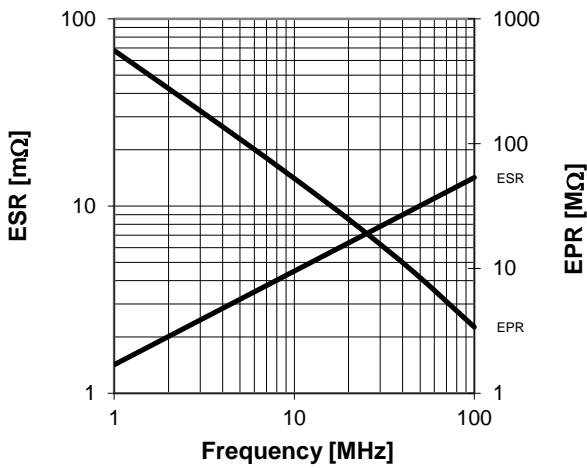
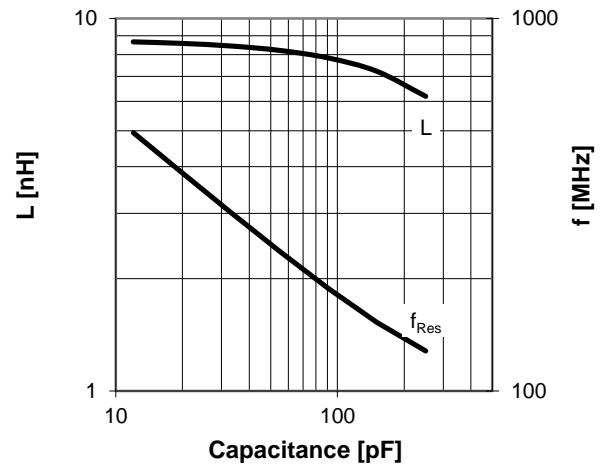
Note: Technical information in Service Bulletin SB-52 must be considered

CVSM-250AC/20-BAJL

Turns	Nominal Capacitance [pF]	Tolerance
-1.0	12.0	10%
0.0	23.8	0%
2.0	59.0	10%
4.0	95.0	10%
6.0	130.5	10%
8.0	166.5	10%
12.6	250.0	10%

Mechanical stop at < 12 pF at ~ -1 turns
 Mechanical stop at > 250 pF at ~ 12.6 turns

Self inductance and resonance frequency



Special Features:

RoHS Compliant

Subject to change without prior notice

Note: Technical information in Service Bulletin
 SB-52 must be considered