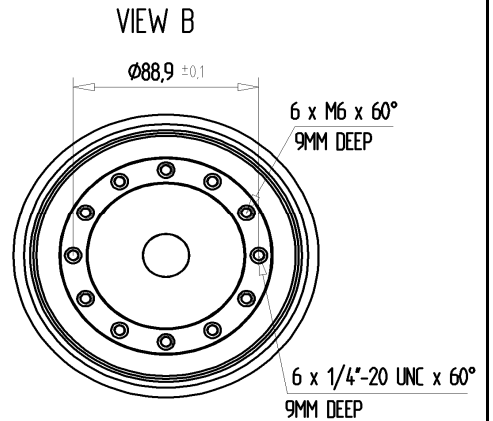
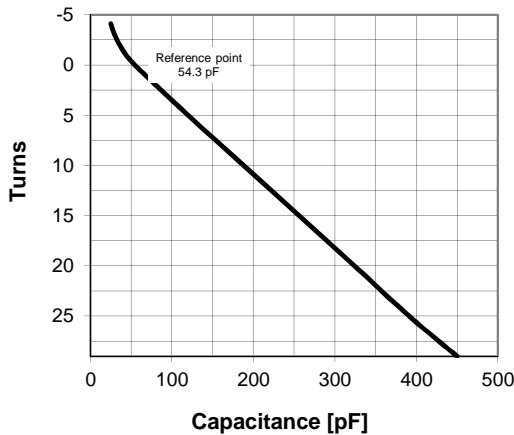
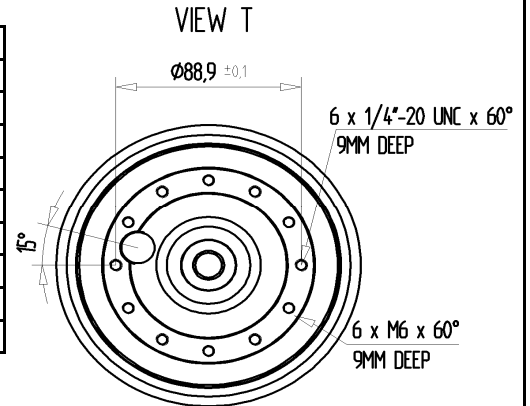


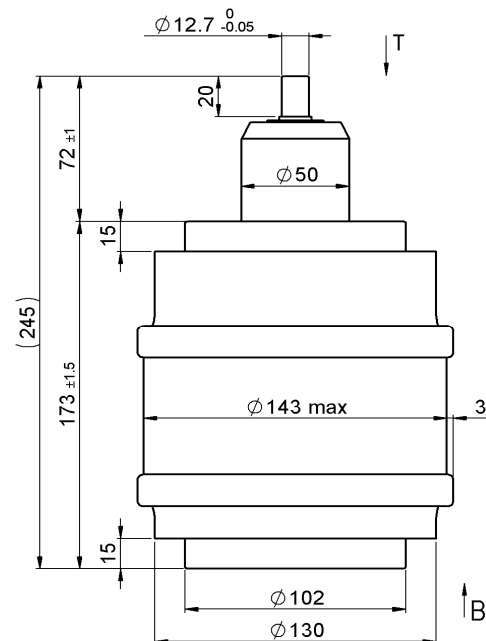
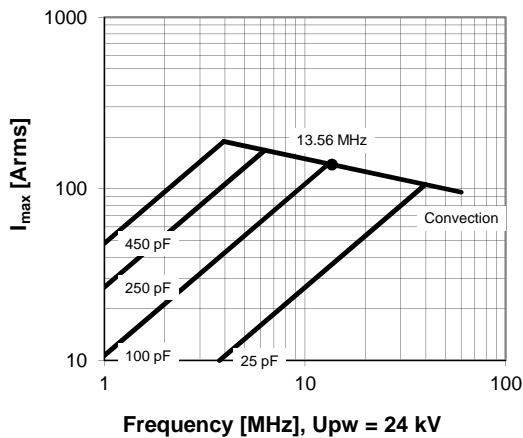
CVSA-450AC/40-AAC

Old Type Designation: CV2C-450K

Specifications	
Capacity C_{max} (nominal)	450 pF
Capacity C_{min} (nominal)	25 pF
Voltage (Peak Test U_{pt} / Peak Working U_{pw})	40 kV / 24 kV
Capacity Tolerance (linear Range)	10%
Max. Current I_{max} at 13.56 MHz	138 Arms
Self Inductance	≤ 15 nH
Capacitance per turn	13.6 pF/turn
Torque	≤ 0.7 Nm
Net Weight	5.6 kg



I_{max} at 25°C ambient and 125°C surface temp. for convection cooling



Subject to change without prior notice

Note: Technical information in Service Bulletin
SB-52 must be considered

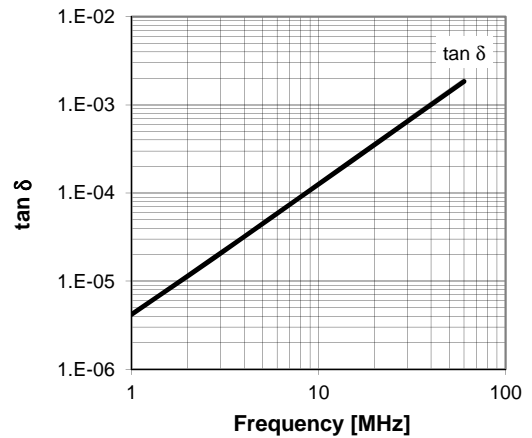
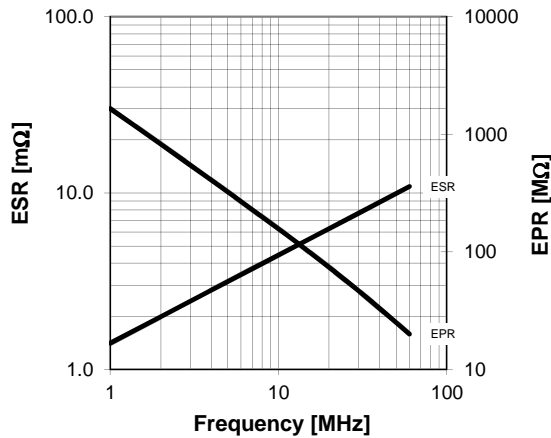
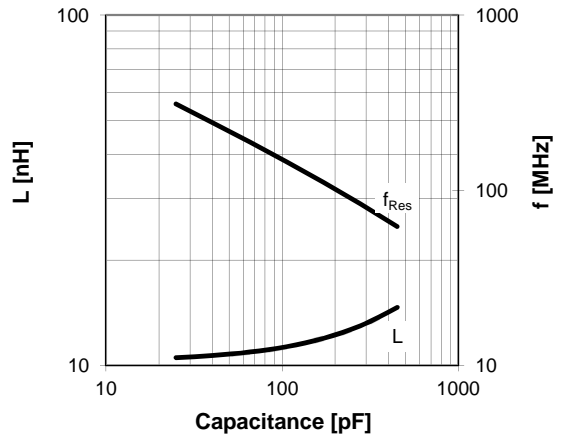
CVSA-450AC/40-AAC

Old Type Designation: CV2C-450K

Turns	Nominal Capacitance [pF]	Tolerance
-4.1	25.0	10%
-3.0	29.7	10%
-1.5	39.4	10%
0.0	54.3	0%
5.0	119.9	10%
10.0	187.8	10%
15.0	256.0	10%
20.0	324.0	10%
25.0	391.0	10%
29.0	450.0	10%

Mechanical stop at < 25 pF at ~ -6.6 turns
Mechanical stop at > 450 pF at ~ 30 turns

Self inductance and resonance frequency



Subject to change without prior notice

Note: Technical information in Service Bulletin
SB-52 must be considered