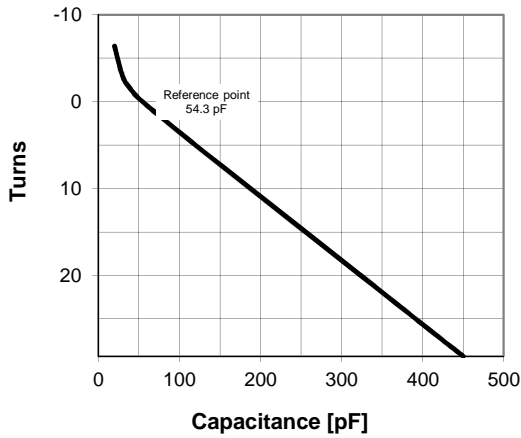
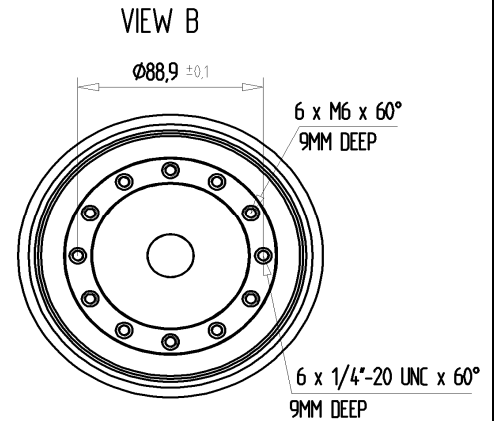
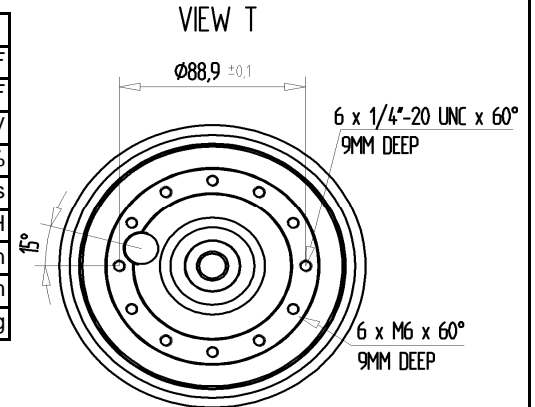


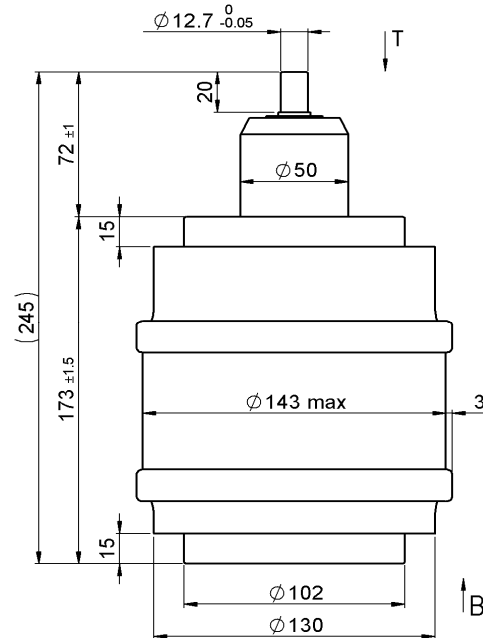
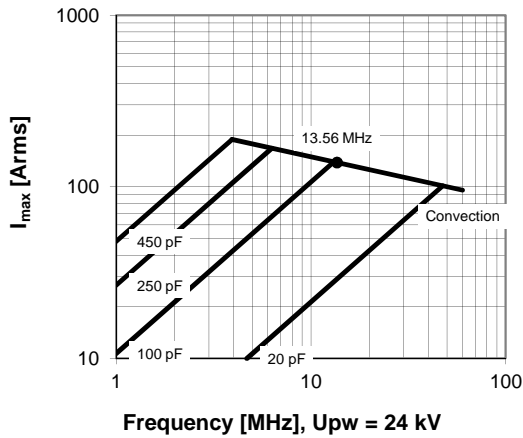
# CVSA-450AC/40-AAB-F

Old Type Designation: CV2C-450J

Specifications	
Capacity $C_{max}$ (nominal)	450 pF
Capacity $C_{min}$ (nominal)	20 pF
Voltage (Peak Test $U_{pt}$ / Peak Working $U_{pw}$ )	40 kV / 24 kV
Capacity Tolerance (linear Range)	3%
Max. Current $I_{max}$ at 13.56 MHz	138 Arms
Self Inductance	$\leq 15$ nH
Capacitance per turn	13.5 pF/turn
Torque	$\leq 1.5$ Nm
Net Weight	5.6 kg



$I_{max}$  at 25°C ambient and 125°C surface temp. for convection cooling



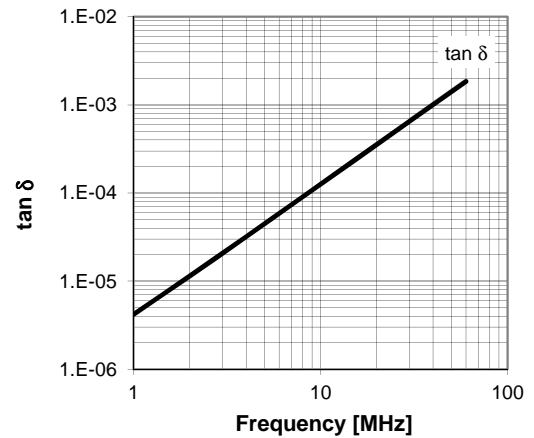
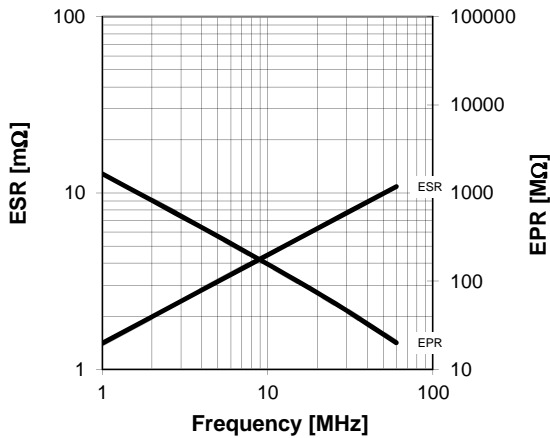
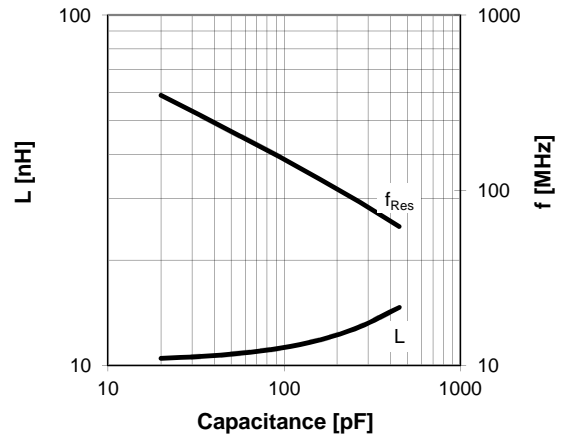
# CVSA-450AC/40-AAB-F

Old Type Designation: CV2C-450J

Turns	Nominal Capacitance [pF]	Tolerance
-6.4	20.0	3%
-3.0	29.7	3%
-1.5	39.4	3%
0.0	54.3	0%
5.0	119.9	3%
10.0	187.8	3%
15.0	255.7	3%
20.0	323.6	3%
25.0	391.4	3%
29.3	450.0	3%

Mechanical stop at < 20 pF at ~ -6.6 turns  
Mechanical stop at > 450 pF at ~ 29.7 turns

Self inductance and resonance frequency



<b>Special Features:</b>
Capacity Tolerance 3%