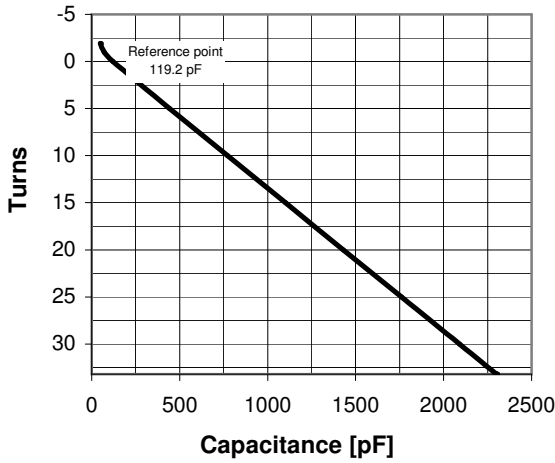
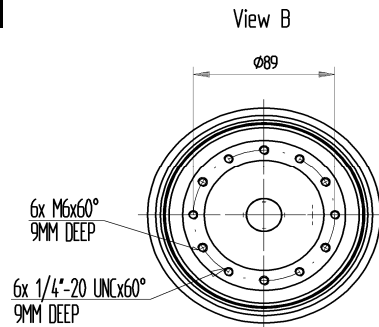
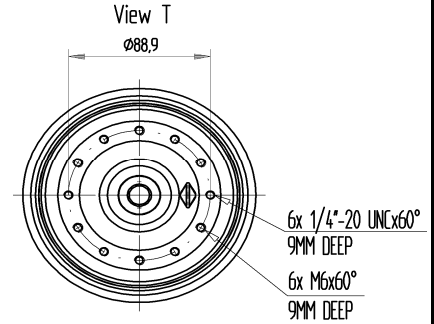


CVSA-2300AC/15-AAB

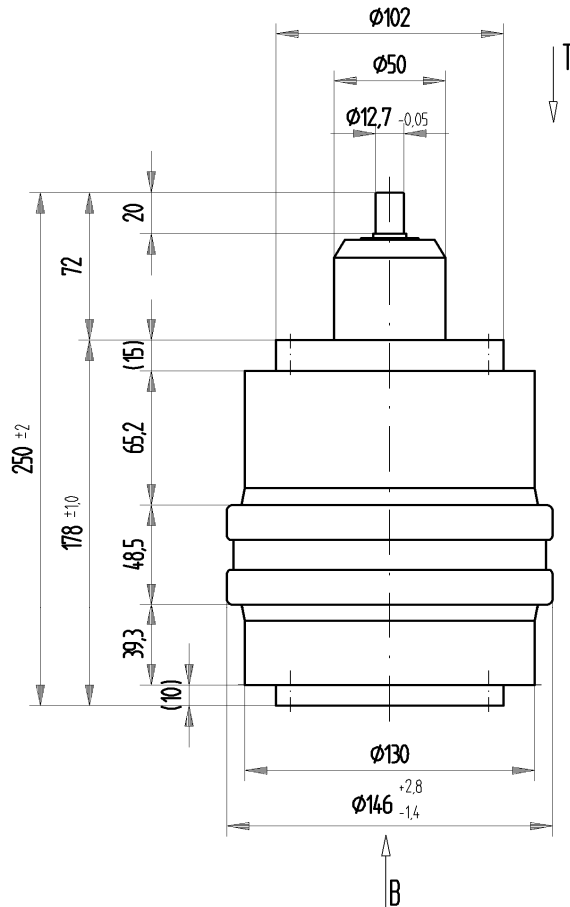
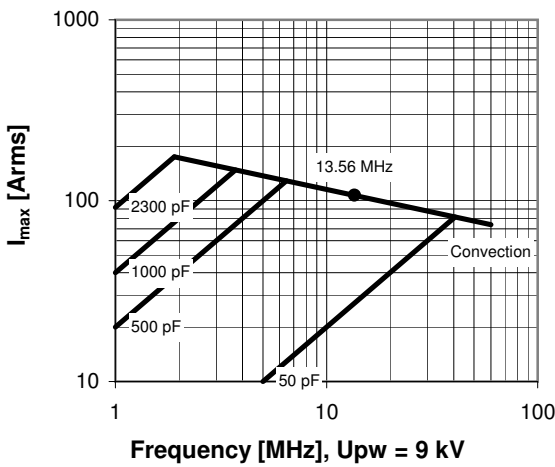
Old Type Designation: CV1C-2300EW

Specifications

Capacity C_{max} (nominal)	2300 pF
Capacity C_{min} (nominal)	50 pF
Voltage (Peak Test U_{pt} / Peak Working U_{pw})	15 kV / 9 kV
Capacity Tolerance (linear Range)	10%
Max. Current I_{max} at 13.56 MHz	106 Arms
Self Inductance	≤ 22 nH
Capacitance per turn	65.7 pF/turn
Torque	≤ 0.75 Nm
Net Weight	5.5 kg



I_{max} at 25°C ambient and 125°C surface temp. for convection cooling



Turns	Nominal Capacitance [pF]	Tolerance
-1.9	50.0	10%
-1.0	71.3	10%
0.0	119.2	0%
5.0	441.6	10%
10.0	771.3	10%
15.0	1101.1	10%
20.0	1430.9	10%
25.0	1760.6	10%
30.0	2090.4	10%
33.2	2300.0	10%

Mechanical stop at < 50 pF at ~ -8 turns
Mechanical stop at > 2300 pF at ~ 33.3 turns

Self inductance and resonance frequency

