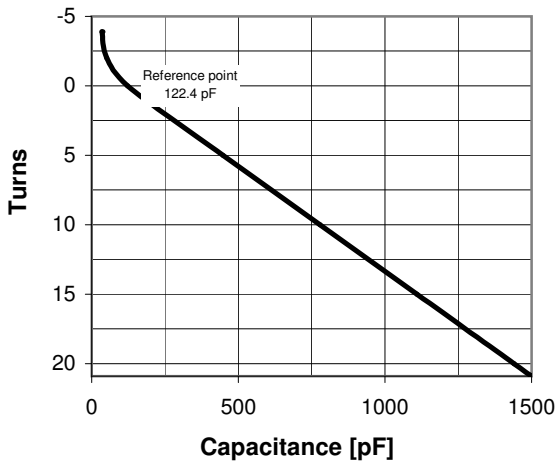
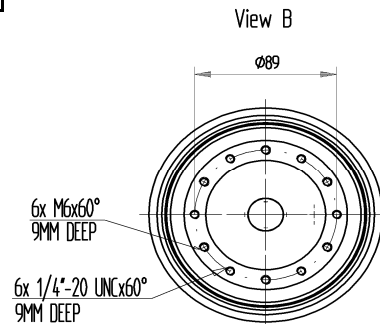
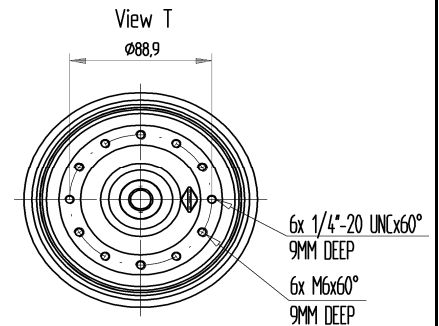


## CVSA-1500AC/15-AAB

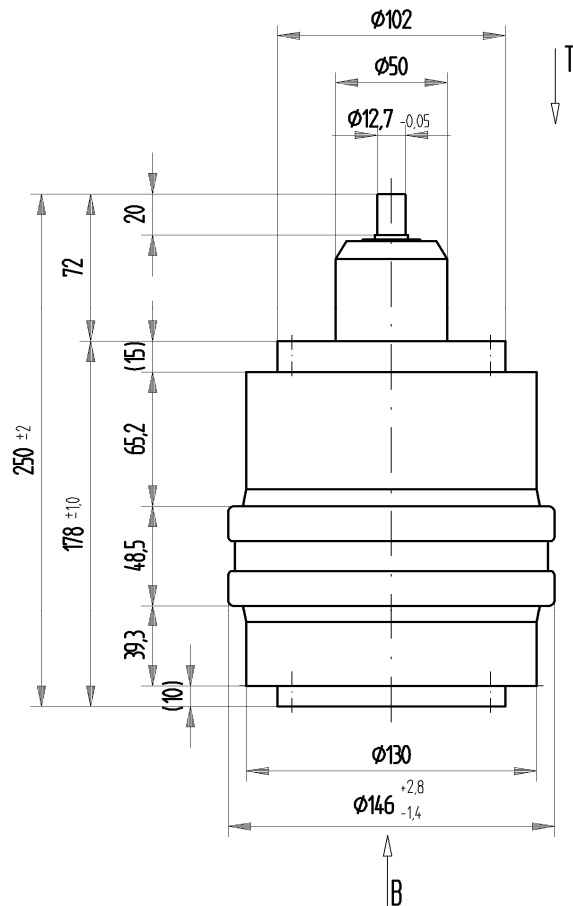
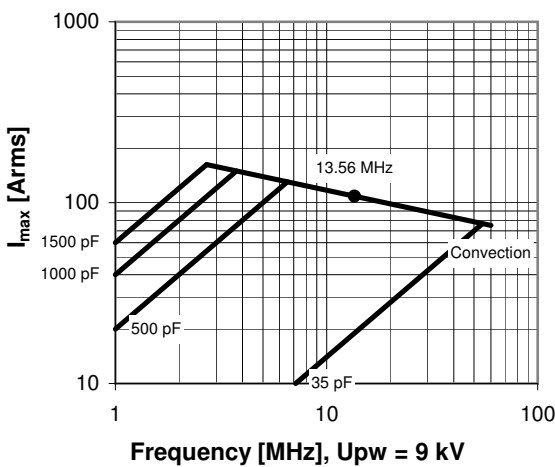
Old Type Designation: CV1C-1500EW

### Specifications

Capacity $C_{max}$ (nominal)	1500 pF
Capacity $C_{min}$ (nominal)	35 pF
Voltage (Peak Test $U_{pt}$ / Peak Working $U_{pw}$ )	15 kV / 9 kV
Capacity Tolerance (linear Range)	10%
Max. Current $I_{max}$ at 13.56 MHz	108 Arms
Self Inductance	$\leq 21$ nH
Capacitance per turn	65.9 pF/turn
Torque	$\leq 0.75$ Nm
Net Weight	5.1 kg



$I_{max}$  at 25°C ambient and 125°C surface temp. for convection cooling



Turns	Nominal Capacitance [pF]	Tolerance
-3.9	35.0	10%
-2.0	51.7	10%
0.0	122.4	0%
5.0	447.7	10%
10.0	778.6	10%
15.0	1109.6	10%
20.0	1440.5	10%
20.9	1500.0	10%

Mechanical stop at < 35 pF at ~ -13.9 turns  
Mechanical stop at > 1500 pF at ~ 21.1 turns

Self inductance and resonance frequency

