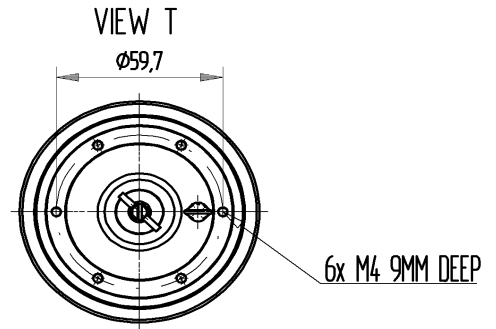


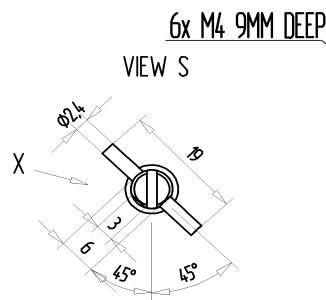
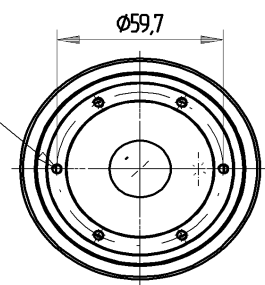
## CVPO-500BC/15-BUCA

Old Type Designation: CV1C-500ZMNL

Specifications	
Capacity $C_{max}$ (nominal)	500 pF
Capacity $C_{min}$ (nominal)	50 pF
Voltage (Peak Test $U_{pt}$ / Peak Working $U_{pw}$ )	15 kV / 9 kV
Capacity Tolerance (linear Range)	10%
Max. Current $I_{max}$ at 13.56 MHz with	123 Arms
Conduction Cooling	25 W
Self Inductance	$\leq 6$ nH
Capacitance per turn	21.5 pF/turn
Torque	$\leq 0.4$ Nm
Net Weight	1.4 kg



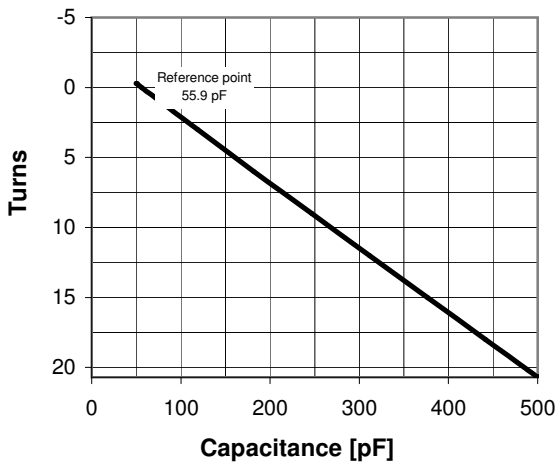
VIEW B



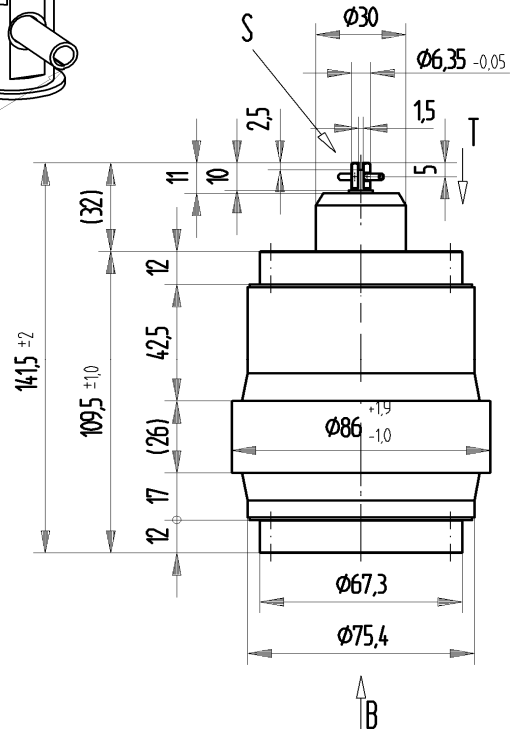
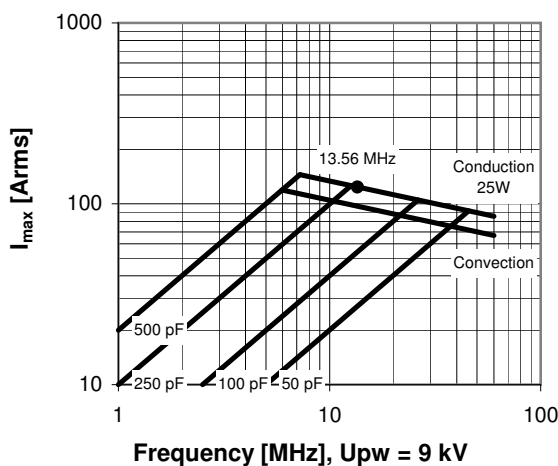
VIEW X



ROLL PIN END  
FACES DOWN



$I_{max}$  at 25°C ambient and 125°C surface temp. for convection and conduction (25 W) cooling



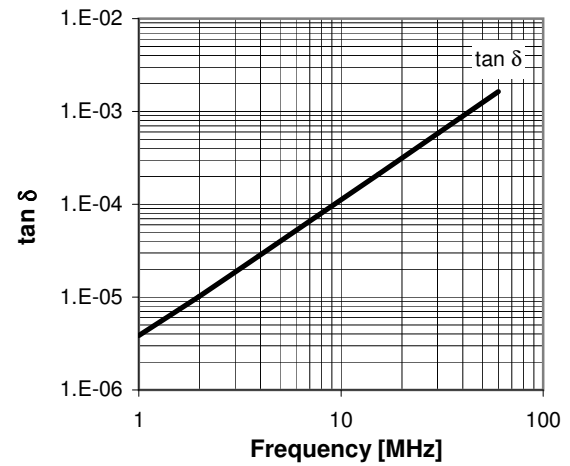
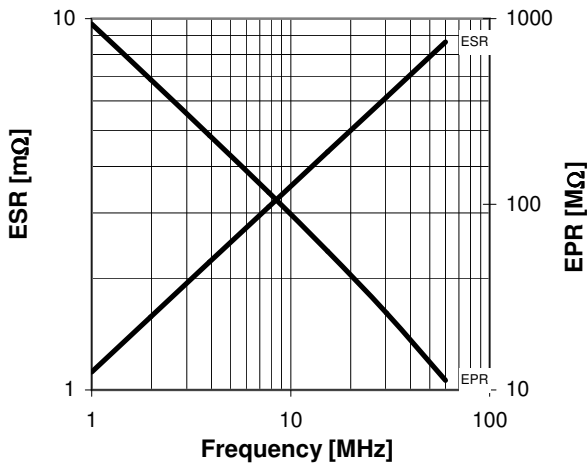
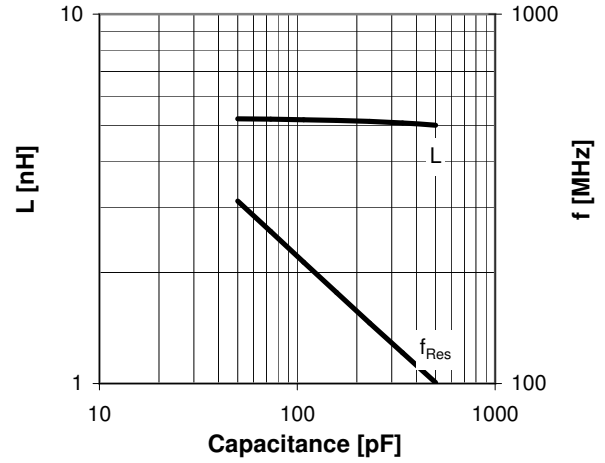
## CVPO-500BC/15-BUCA

Old Type Designation: CV1C-500ZMNL

Turns	Nominal Capacitance [pF]	Tolerance
-0.3	50.0	10%
0.0	55.9	0%
3.0	118.7	10%
6.0	181.8	10%
9.0	246.7	10%
12.0	311.6	10%
15.0	376.5	10%
18.0	441.4	10%
20.7	500.0	10%

Mechanical stop at < 50 pF at ~ -0.9 turns  
Mechanical stop at > 500 pF at ~ 20.9 turns

Self inductance and resonance frequency



Type Ordering Information:	Upt
CVPO-500BC/15-BUCA	15 kV
CVPO-500BC/10-BUCA	10 kV
CVPO-500BC/7.5-BUCA	7.5 kV