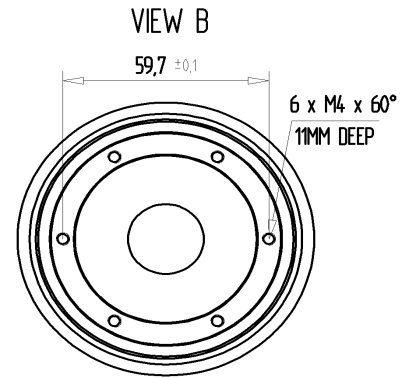
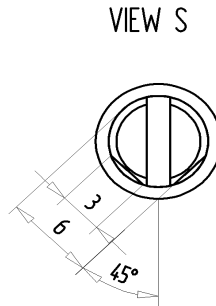
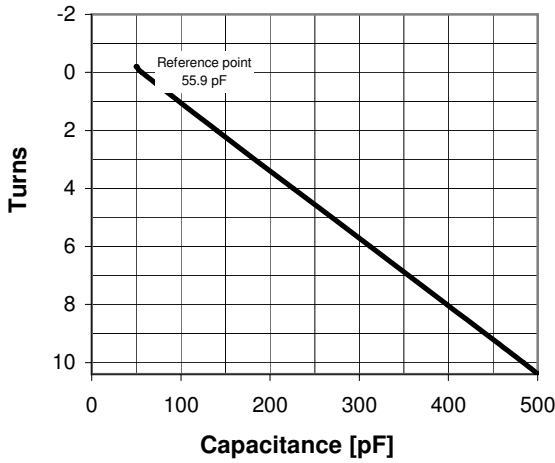
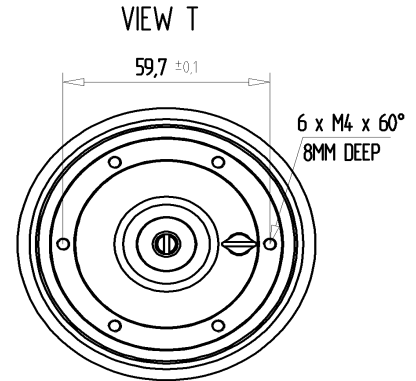
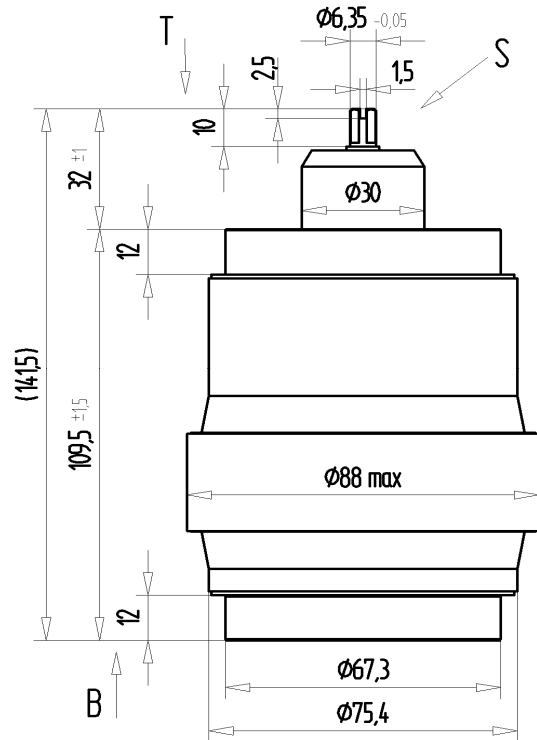
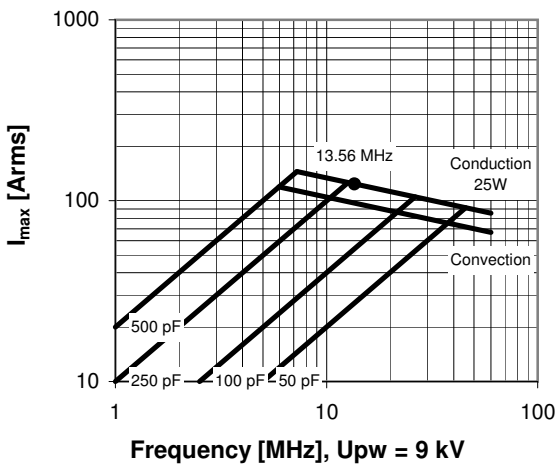


CVPO-500BC/15-BEJA

Specifications	
Capacity C_{max} (nominal)	500 pF
Capacity C_{min} (nominal)	50 pF
Voltage (Peak Test U_{pt} / Peak Working U_{pw})	15 kV / 9 kV
Capacity Tolerance (linear Range)	10%
Max. Current I_{max} at 13.56 MHz with	123 Arms
Conduction Cooling	25 W
Self Inductance	≤ 6 nH
Capacitance per turn	42.7 pF/turn
Torque	≤ 0.4 Nm
Net Weight	1.4 kg



I_{max} at 25°C ambient and 125°C surface temp. for convection and conduction (25 W) cooling



CVPO-500BC/15-BEJA

Turns	Nominal Capacitance [pF]	Tolerance
-0.2	50.0	10%
0.0	55.9	0%
2.0	140.2	10%
4.0	226.1	10%
6.0	312.1	10%
8.0	398.1	10%
10.0	484.1	10%
10.4	500.0	10%

Mechanical stop at < 50 pF at ~ -0.5 turns
Mechanical stop at > 500 pF at ~ 10.5 turns

Self inductance and resonance frequency

