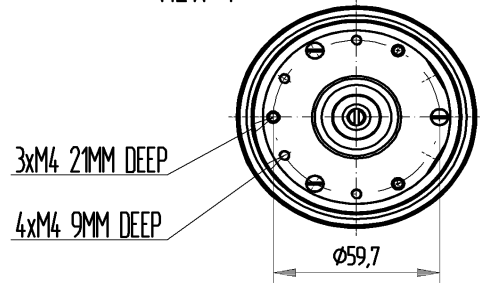


CVPO-500AW/15-BEKA-L

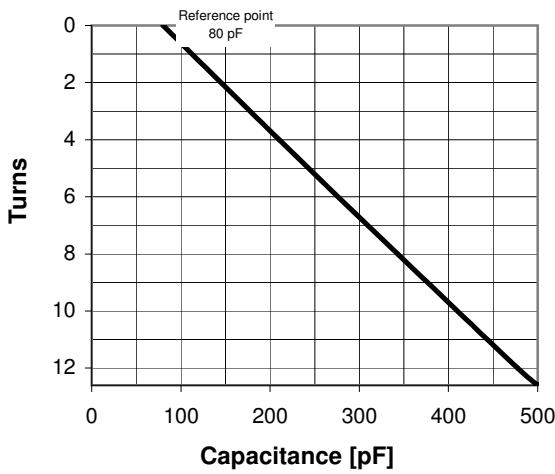
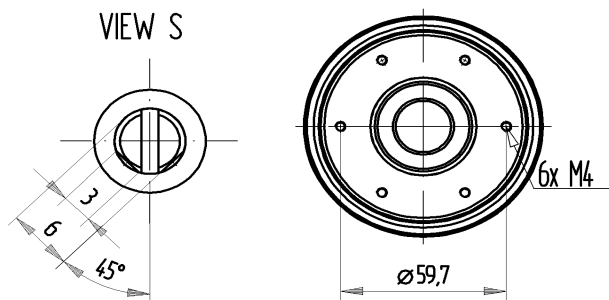
Specifications

Capacity C_{max} (nominal)	500 pF
Capacity C_{min} (nominal)	80 pF
Voltage (Peak Test U_{pt} / Peak Working U_{pw})	15 kV / 9 kV
Capacity Tolerance (linear Range)	10%
Max. Current I_{max} at 13.56 MHz with Water Cooling	129 Arms
Water Cooling	1 l/min
Capacitance per turn	33.3 pF/turn
Torque	≤ 0.6 Nm
Net Weight	1.6 kg

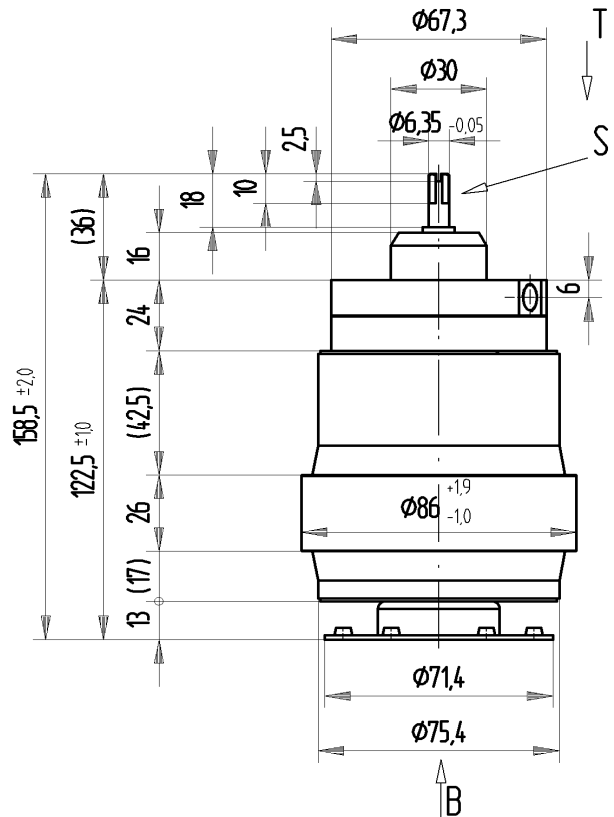
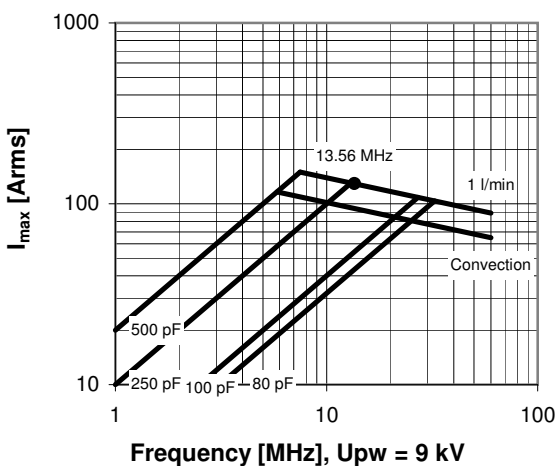
VIEW T



VIEW B



I_{max} for 1 l/min water cooling; max. water temp. at inlet: 70 °C

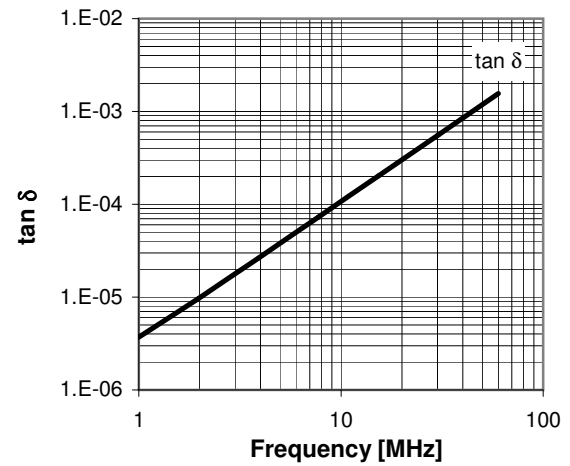
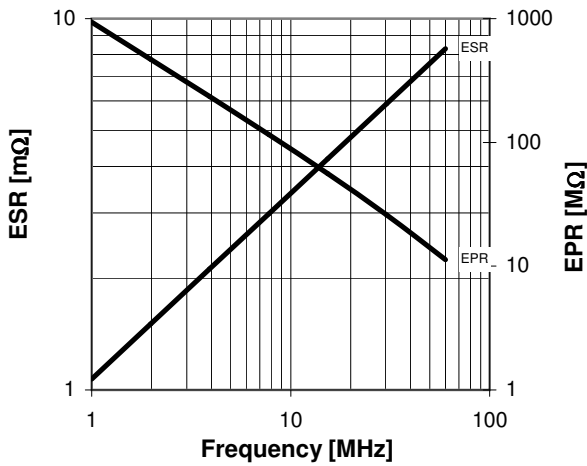
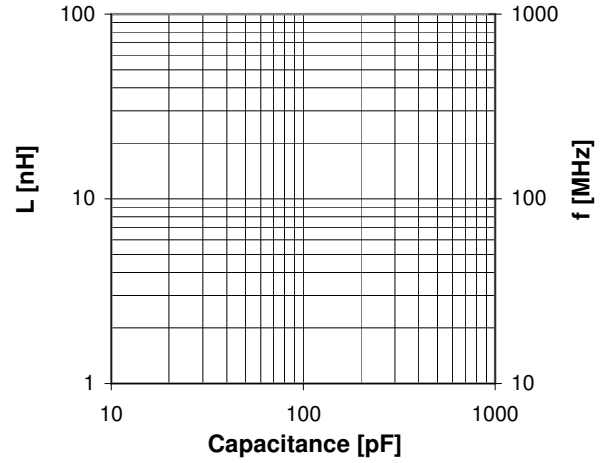


CVPO-500AW/15-BEKA-L

Turns	Nominal Capacitance [pF]	Tolerance
0.0	80.0	0%
4.0	210.5	10%
8.0	343.0	10%
12.0	477.4	10%
12.6	500.0	10%

Mechanical stop at < 80 pF at ~ -1.7 turns
Mechanical stop at > 500 pF at ~ 13 turns

Self inductance and resonance frequency



Special Features:

Integrated Flange

Type Ordering Information:

CVPO-500AW/15-BEKA-L

Upt

15 kV