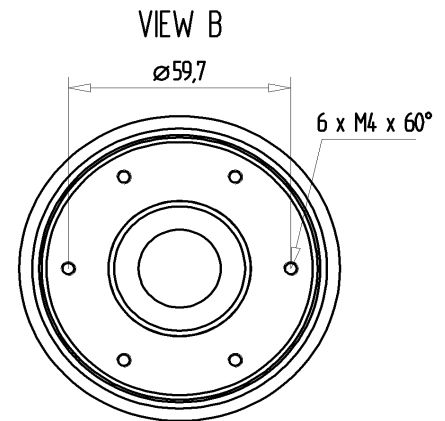
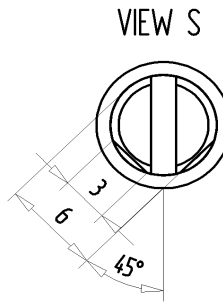
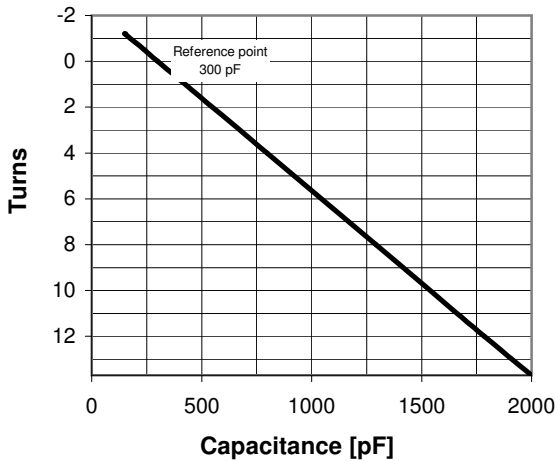
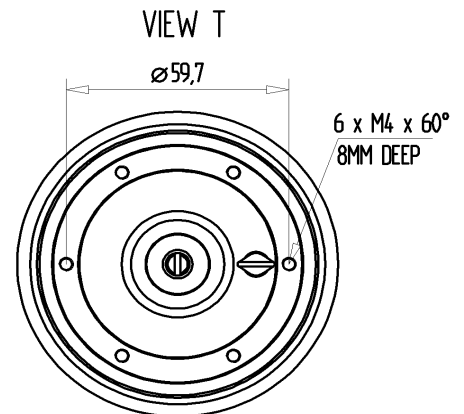


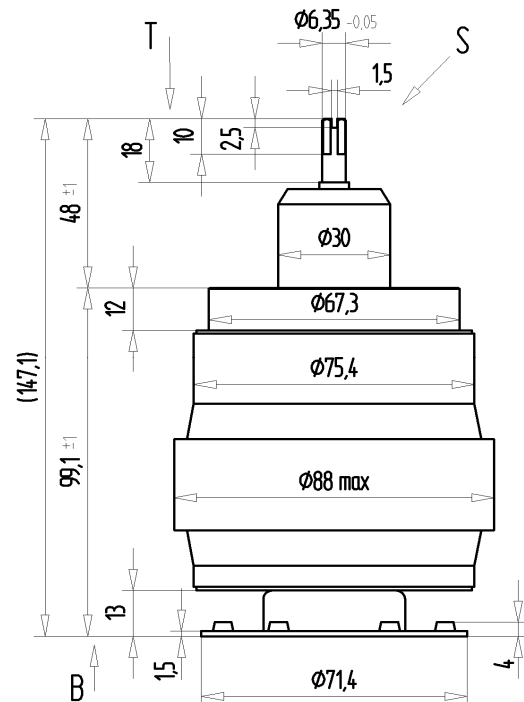
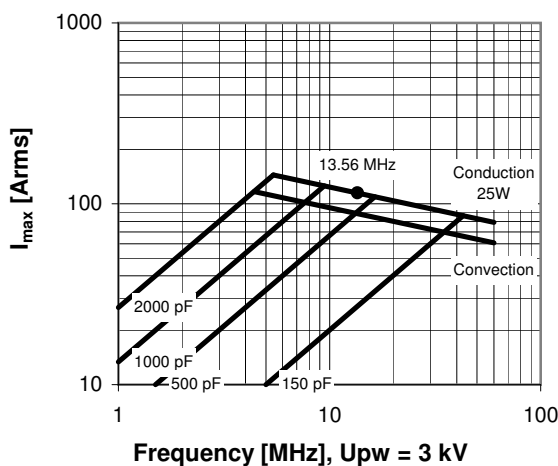
CVPO-2000BC/5-BECA-L

Old Type Designation: CV05C-2000MN

Specifications	
Capacity C_{max} (nominal)	2000 pF
Capacity C_{min} (nominal)	150 pF
Voltage (Peak Test U_{pt} / Peak Working U_{pw})	5 kV / 3 kV
Capacity Tolerance (linear Range)	10%
Max. Current I_{max} at 13.56 MHz with	114 Arms
Conduction Cooling	25 W
Self Inductance	≤ 6 nH
Capacitance per turn	124.1 pF/turn
Torque	≤ 0.4 Nm
Net Weight	1.4 kg



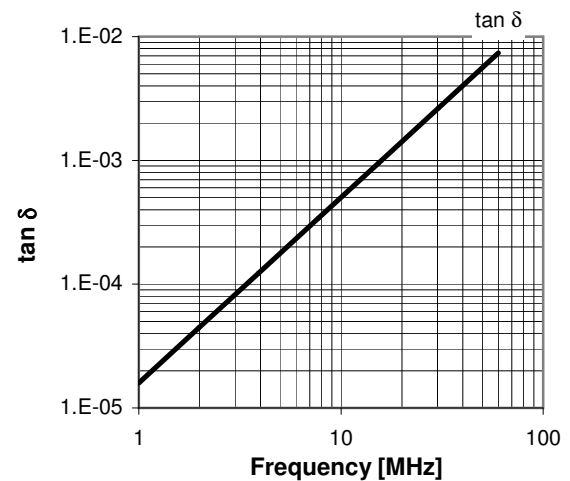
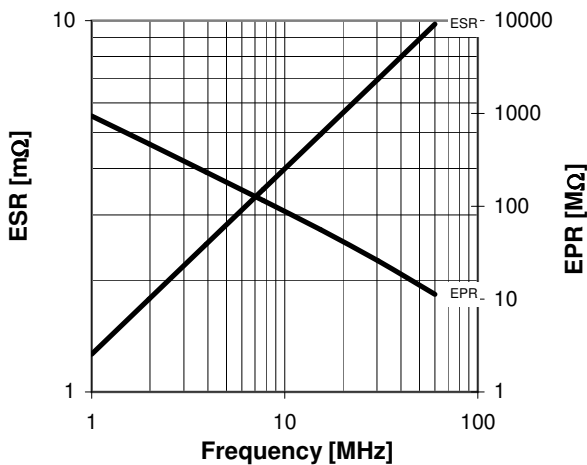
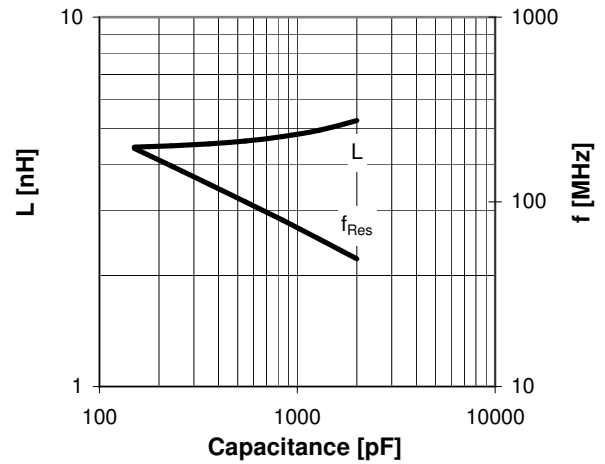
I_{max} at 25°C ambient and 125°C surface temp. for convection and conduction (25 W) cooling



Turns	Nominal Capacitance [pF]	Tolerance
-1.2	150.0	10%
-0.5	238.5	10%
0.0	300.0	0%
4.0	797.0	10%
8.0	1292.7	10%
12.0	1784.6	10%
13.7	2000.0	10%

Mechanical stop at < 150 pF at ~ -2.8 turns
Mechanical stop at > 2000 pF at ~ 13.7 turns

Self inductance and resonance frequency



Special Features:

Integrated Flange