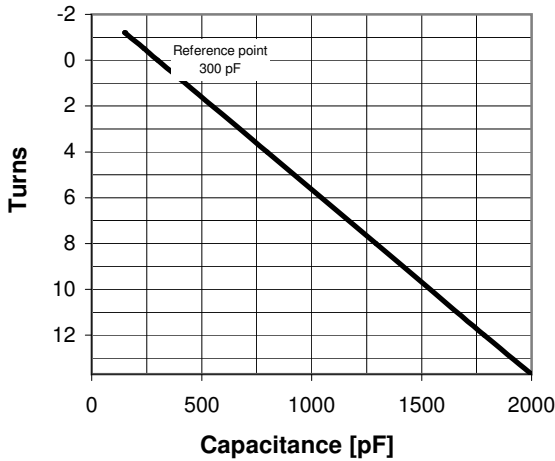
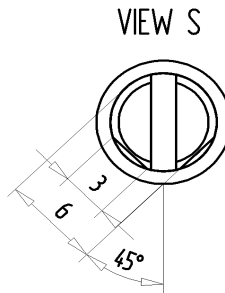
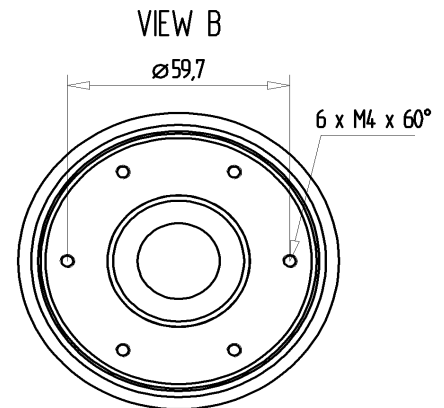
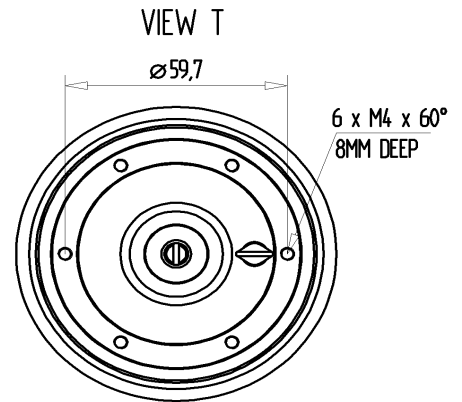
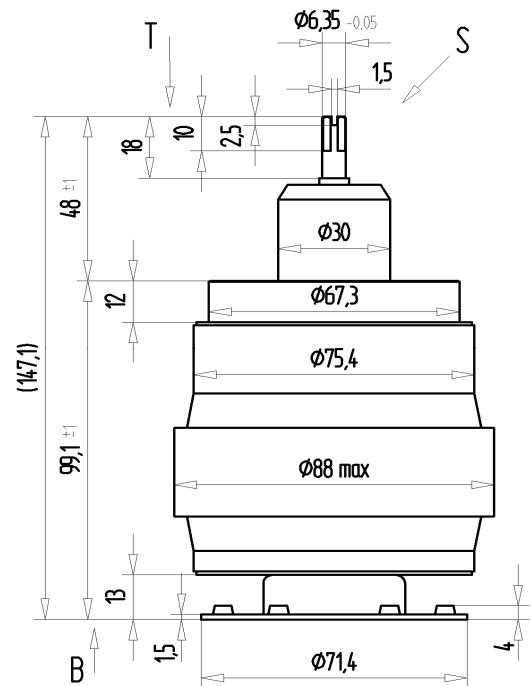
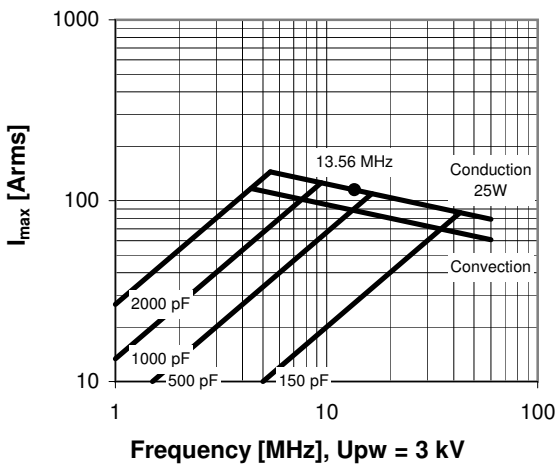


CVPO-2000BC/5-BECA-HL

| Specifications | |
|---|---------------|
| Capacity C_{max} (nominal) | 2000 pF |
| Capacity C_{min} (nominal) | 150 pF |
| Voltage (Peak Test U_{pt} / Peak Working U_{pw}) | 5 kV / 3 kV |
| Capacity Tolerance (linear Range) | 2% |
| Max. Current I_{max} at 13.56 MHz with | 114 Arms |
| Conduction Cooling | 25 W |
| Self Inductance | ≤ 6 nH |
| Capacitance per turn | 124.1 pF/turn |
| Torque | ≤ 0.4 Nm |
| Net Weight | 1.4 kg |



I_{max} at 25°C ambient and 125°C surface temp. for convection and conduction (25 W) cooling

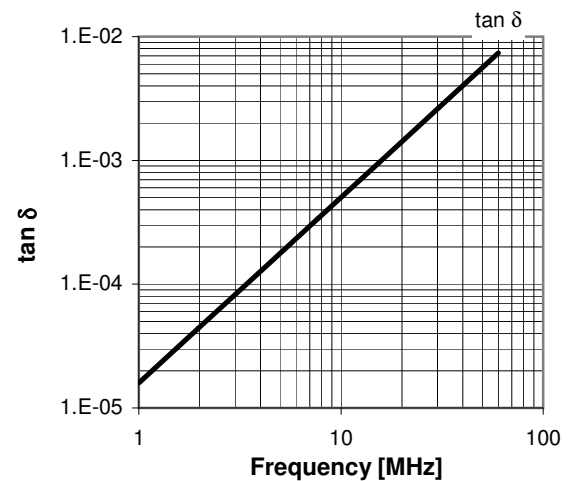
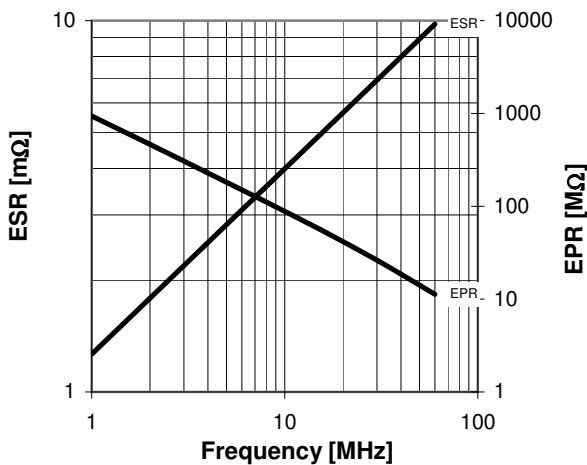
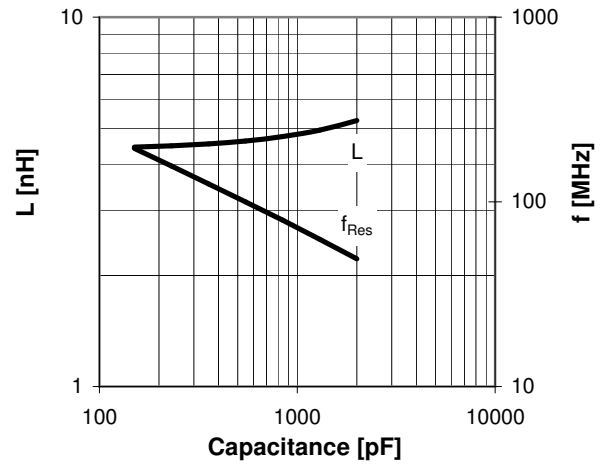


CVPO-2000BC/5-BECA-HL

| Turns | Nominal Capacitance [pF] | Tolerance |
|-------|--------------------------|-----------|
| -1.2 | 150.0 | 2% |
| -0.5 | 238.5 | 2% |
| 0.0 | 300.0 | 0% |
| 4.0 | 797.0 | 2% |
| 8.0 | 1292.7 | 2% |
| 12.0 | 1784.6 | 2% |
| 13.7 | 2000.0 | 2% |

Mechanical stop at < 150 pF at ~ -2.8 turns
Mechanical stop at > 2000 pF at ~ 13.7 turns

Self inductance and resonance frequency



Special Features:

Special C-Curve / Special Capacity Tolerance,
Integrated Flange