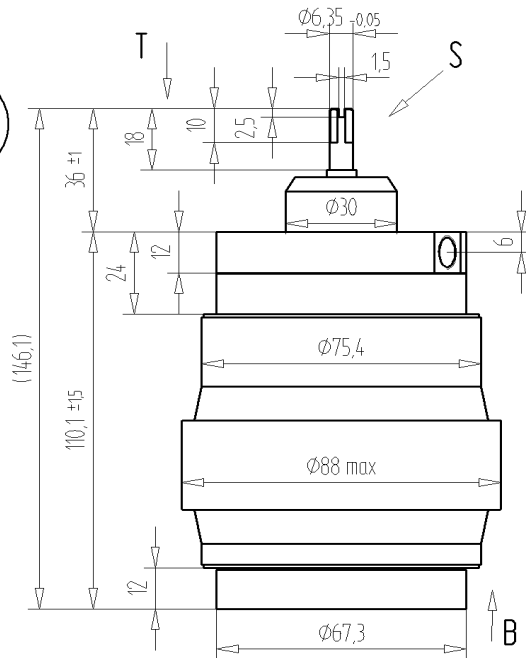
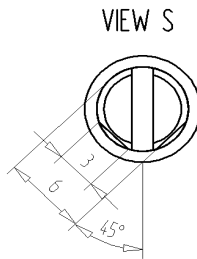
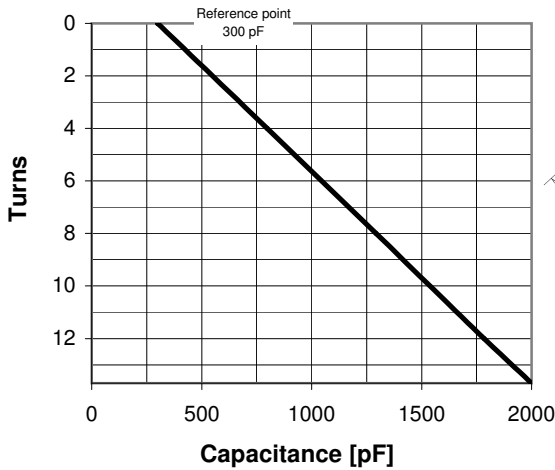
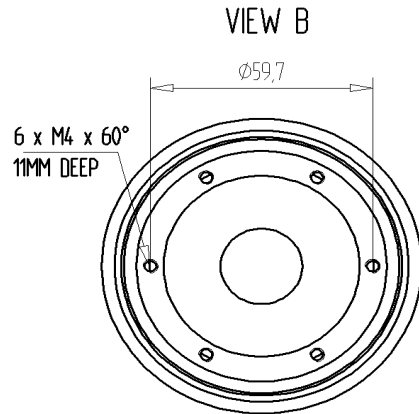


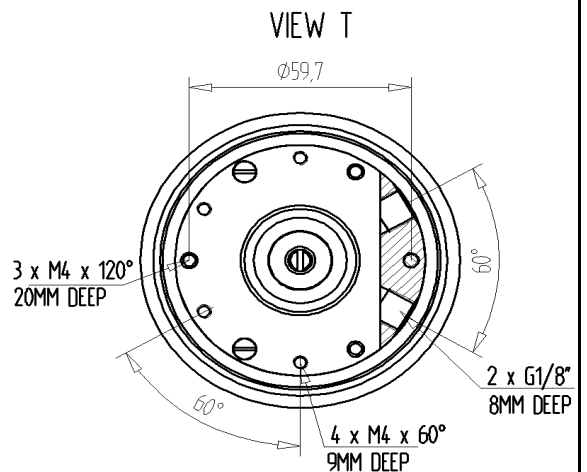
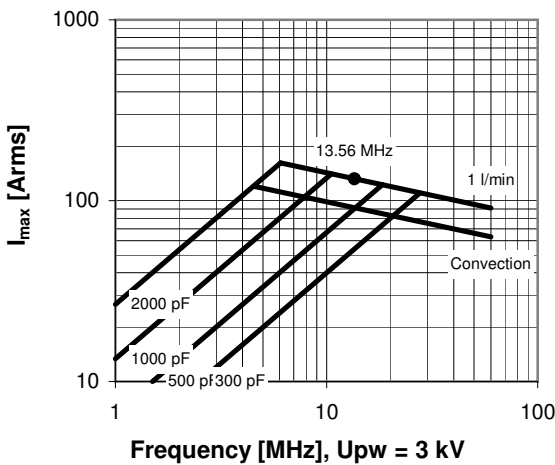
CVPO-2000AW/5-BECA

Old Type Designation: CV05W-2000GN

Specifications	
Capacity C_{max} (nominal)	2000 pF
Capacity C_{min} (nominal)	300 pF
Voltage (Peak Test U_{pt} / Peak Working U_{pw})	5 kV / 3 kV
Capacity Tolerance (linear Range)	10%
Max. Current I_{max} at 13.56 MHz with	131 Arms
Water Cooling	1 l/min
Self Inductance	≤ 6 nH
Capacitance per turn	124.1 pF/turn
Torque	≤ 0.4 Nm
Net Weight	1.7 kg



I_{max} for 1 l/min water cooling; max. water temp. at inlet: 70 °C



Subject to change without prior notice

Note: Technical information in Service Bulletin
SB-52 must be considered

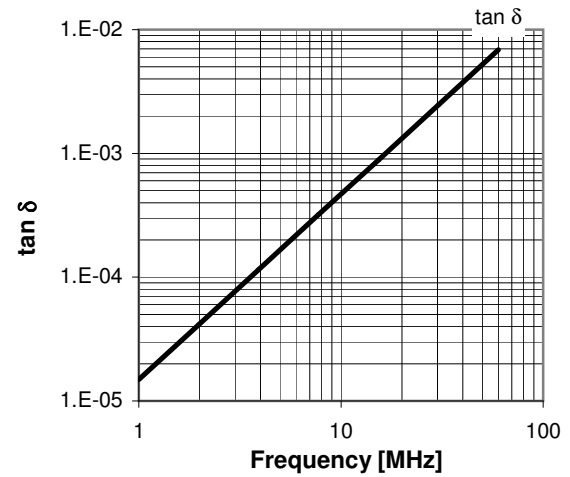
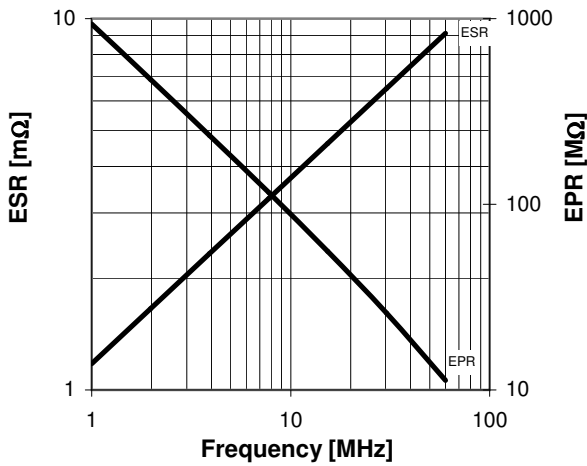
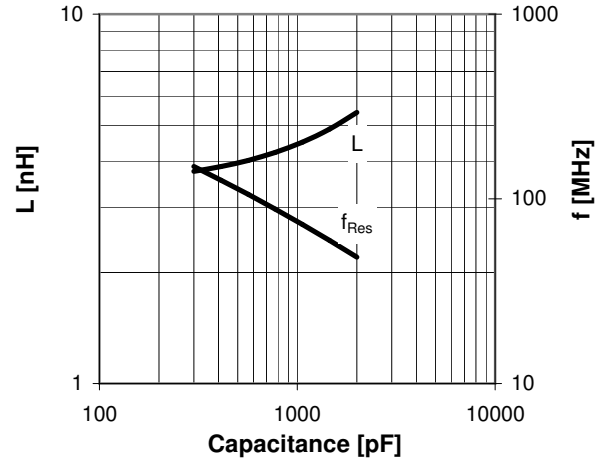
CVPO-2000AW/5-BECA

Old Type Designation: CV05W-2000GN

Turns	Nominal Capacitance [pF]	Tolerance
0.0	300.0	0%
4.0	797.0	10%
8.0	1292.7	10%
12.0	1784.6	10%
13.7	2000.0	10%

Mechanical stop at < 300 pF at ~ -2.8 turns
Mechanical stop at > 2000 pF at ~ 13.7 turns

Self inductance and resonance frequency



Subject to change without prior notice

Note: Technical information in Service Bulletin
SB-52 must be considered