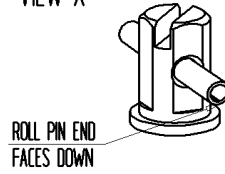


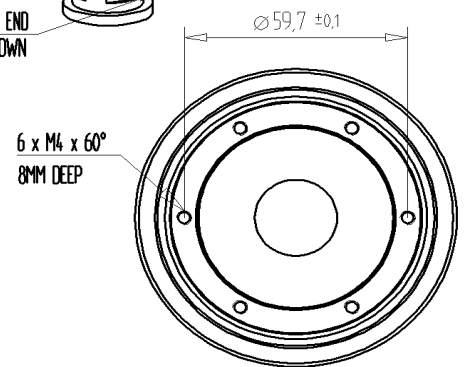
## CVPO-2000AC/5-BUCA

Specifications	
Capacity $C_{max}$ (nominal)	2000 pF
Capacity $C_{min}$ (nominal)	300 pF
Voltage (Peak Test $U_{pt}$ / Peak Working $U_{pw}$ )	5 kV / 3 kV
Capacity Tolerance (linear Range)	10%
Max. Current $I_{max}$ at 13.56 MHz with Conduction Cooling	122 Arms
Self Inductance	$\leq 6$ nH
Capacitance per turn	121.4 pF/turn
Torque	$\leq 0.4$ Nm
Net Weight	1.6 kg

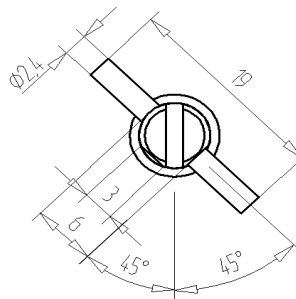
VIEW X



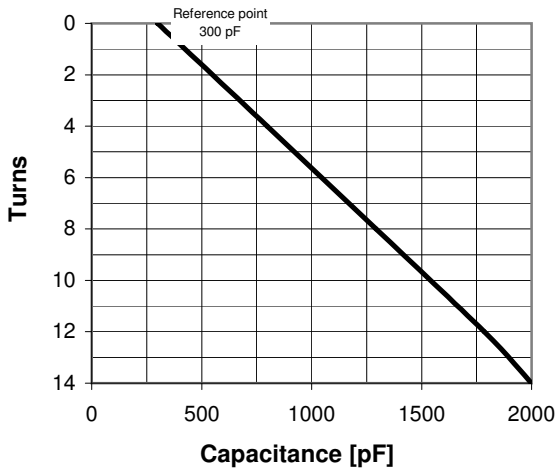
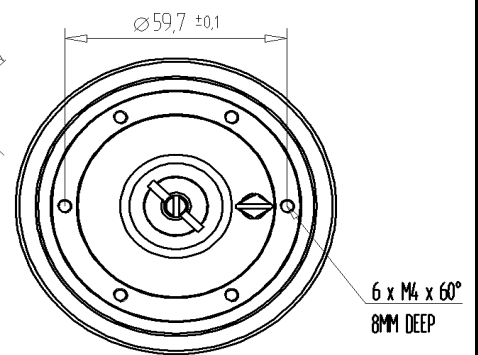
VIEW B



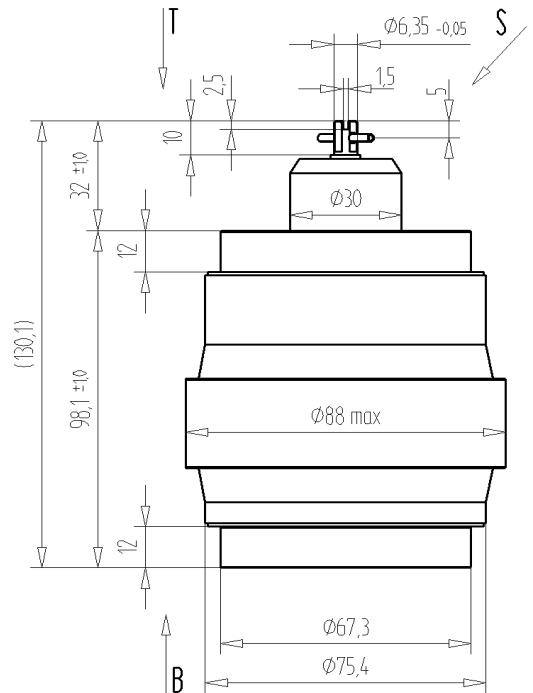
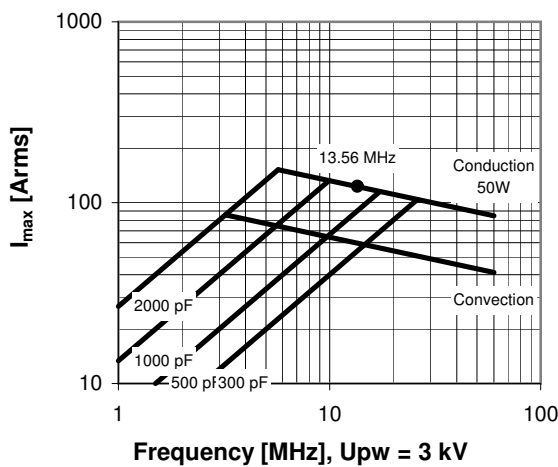
VIEW S



VIEW T



$I_{max}$  at 25°C ambient and 125°C surface temp. for convection and conduction (50 W) cooling



## CVPO-2000AC/5-BUCA

Turns	Nominal Capacitance [pF]	Tolerance
0.0	300.0	0%
4.0	797.0	10%
8.0	1292.7	10%
12.0	1784.6	10%
14.0	2000.0	10%

Mechanical stop at < 300 pF at ~ -2.8 turns  
Mechanical stop at > 2000 pF at ~ 14 turns

Self inductance and resonance frequency

