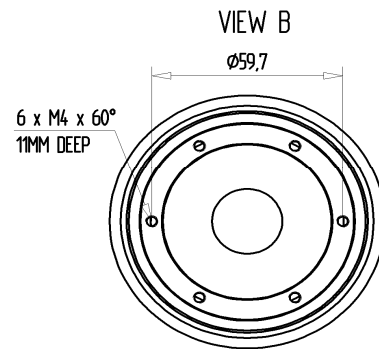
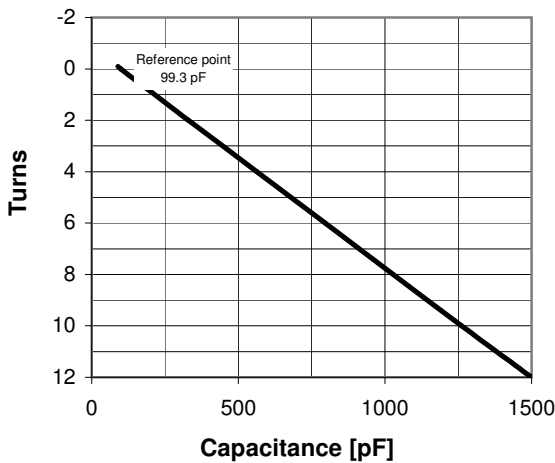
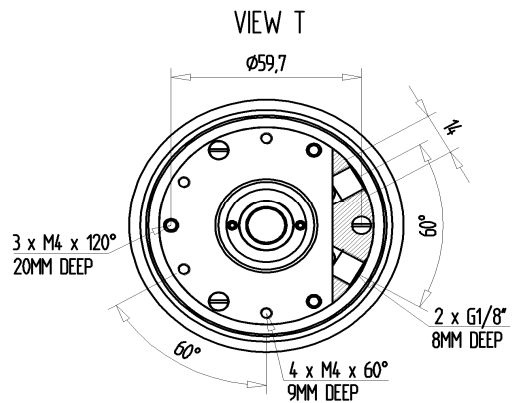


CVPO-1500BW/5-AACA-A

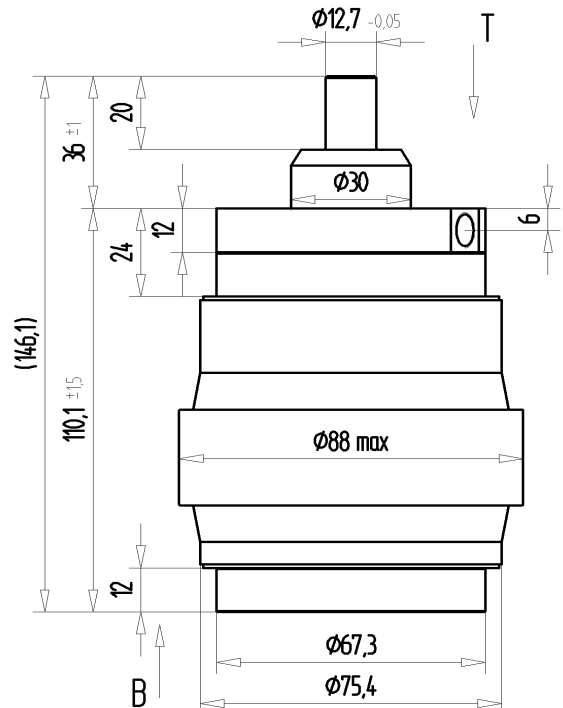
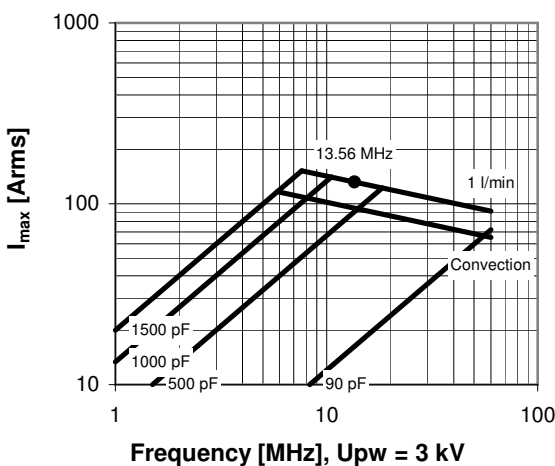
Old Type Designation: CV05W-1500PNV

Specifications

Capacity C_{max} (nominal)	1500 pF
Capacity C_{min} (nominal)	90 pF
Voltage (Peak Test U_{pt} / Peak Working U_{pw})	5 kV / 3 kV
Capacity Tolerance (linear Range)	10%
Max. Current I_{max} at 13.56 MHz with	131 Arms
Water Cooling	1 l/min
Self Inductance	≤ 7 nH
Capacitance per turn	116.7 pF/turn
Torque	≤ 0.4 Nm
Net Weight	1.7 kg



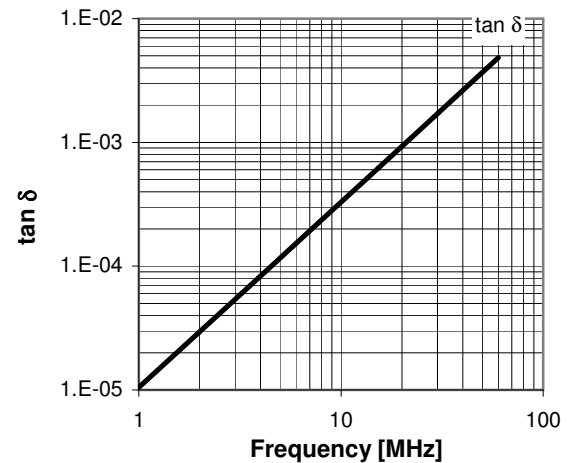
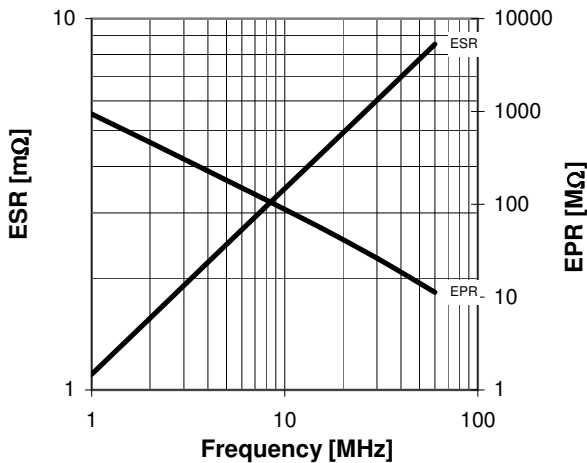
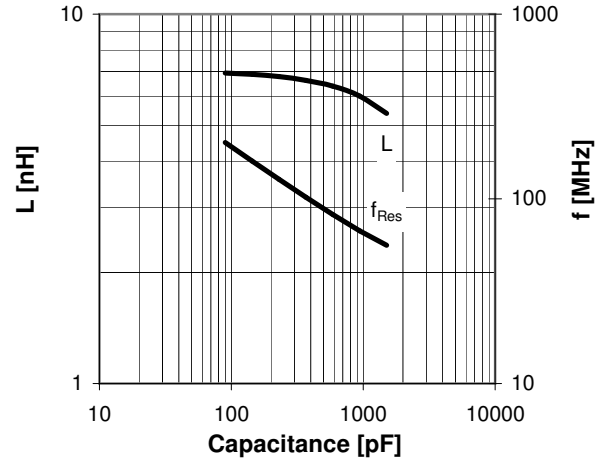
I_{max} for 1 l/min water cooling; max. water temp. at inlet: 70 °C



Turns	Nominal Capacitance [pF]	Tolerance
-0.1	90.0	10%
0.0	99.3	0%
2.0	330.2	10%
4.0	562.8	10%
6.0	795.4	10%
8.0	1028.0	10%
10.0	1260.5	10%
12.0	1500.0	10%

Slamindex at 90 ± 2 pF at -0.1 ± 0.05 turns
Mechanical stop at > 1500 pF at ~ 12.2 turns

Self inductance and resonance frequency



Special Features:

Slam Index

Type Ordering Information:

Upt

CVPO-1500BW/5-AACA-A	5 kV
CVPO-1500BW/3-AACA-A	3 kV