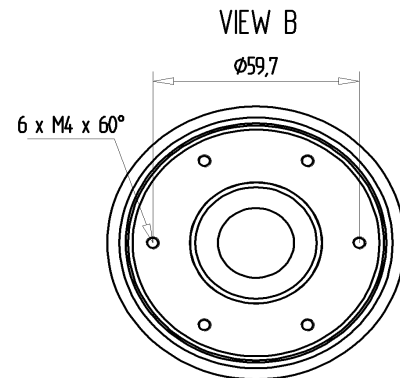
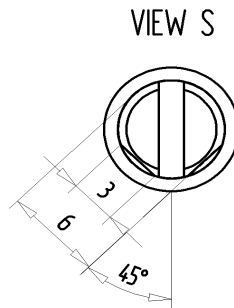
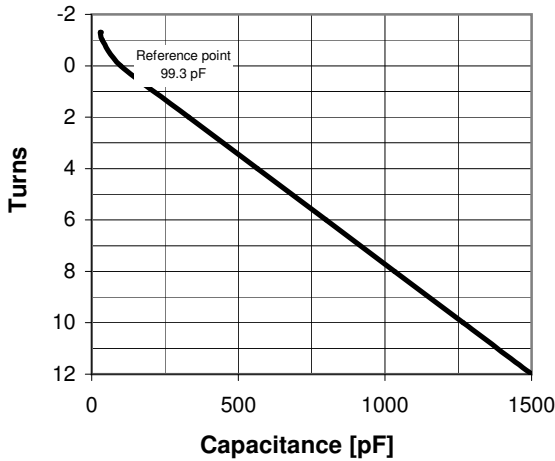
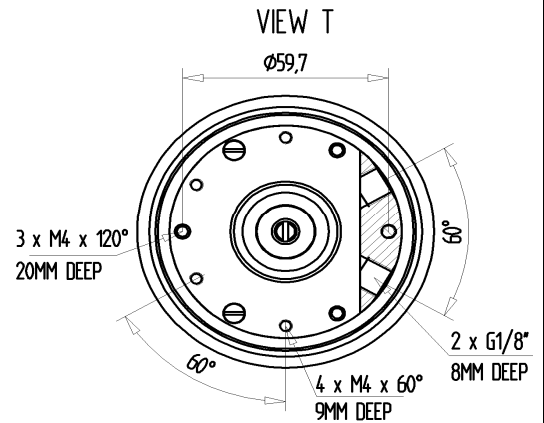


CVPO-1500AW/5-BECA-L

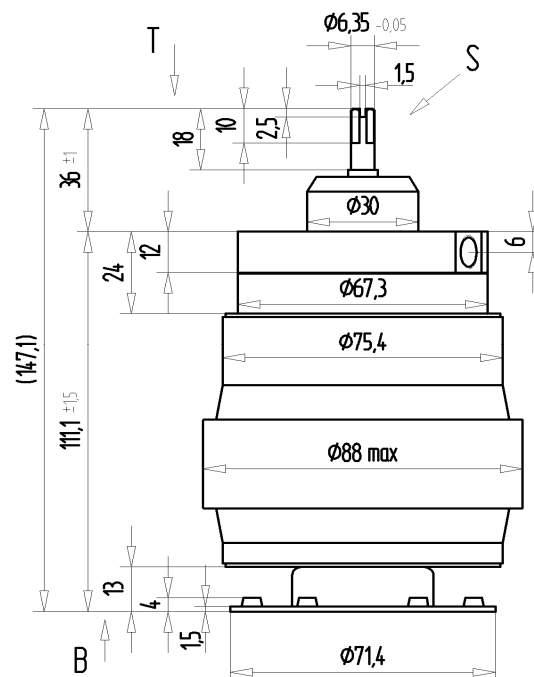
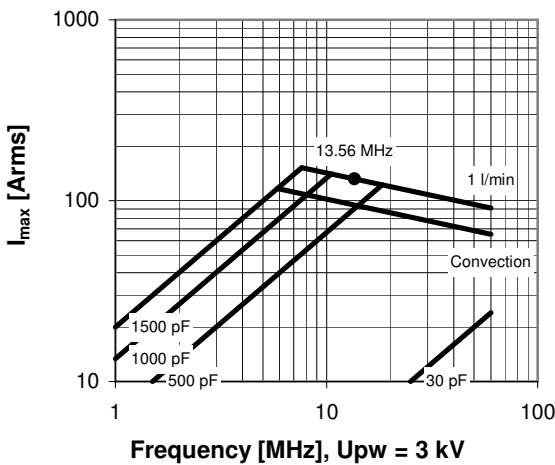
Old Type Designation: CV05W-1500FN

Specifications

Capacity C_{max} (nominal)	1500 pF
Capacity C_{min} (nominal)	30 pF
Voltage (Peak Test U_{pt} / Peak Working U_{pw})	5 kV / 3 kV
Capacity Tolerance (linear Range)	10%
Max. Current I_{max} at 13.56 MHz with	131 Arms
Water Cooling	1 l/min
Self Inductance	≤ 7 nH
Capacitance per turn	116.7 pF/turn
Torque	≤ 0.4 Nm
Net Weight	1.5 kg



I_{max} for 1 l/min water cooling; max. water temp. at inlet: 70°C



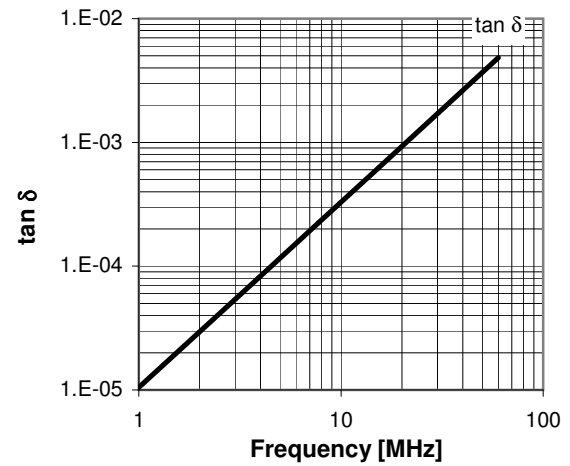
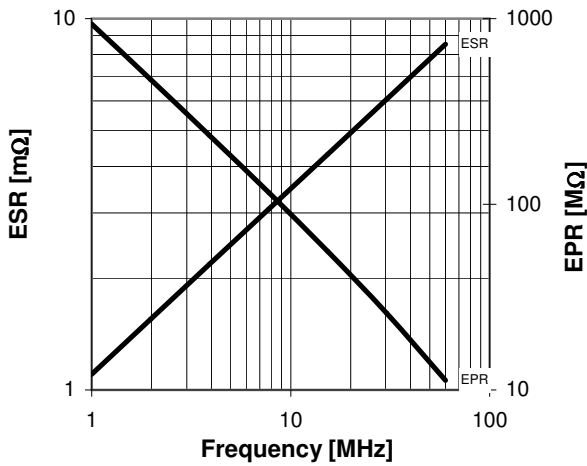
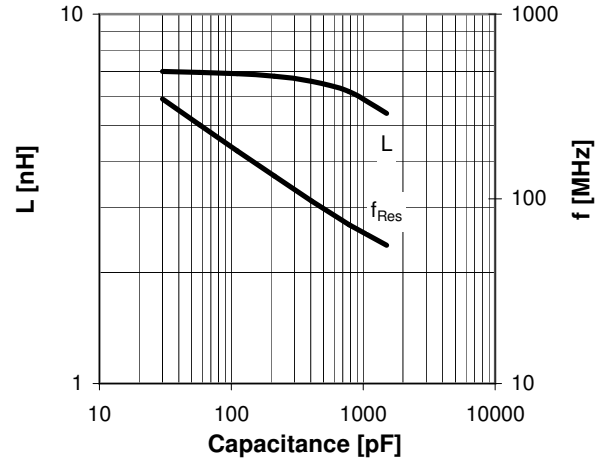
Subject to change without prior notice

Note: Technical information in Service Bulletin SB-52 must be considered

Turns	Nominal Capacitance [pF]	Tolerance
-1.3	30.0	10%
-1.0	36.0	10%
0.0	99.3	0%
2.0	331.3	10%
4.0	565.0	10%
6.0	798.6	10%
8.0	1032.3	10%
10.0	1265.9	10%
12.0	1500.0	10%

Mechanical stop at < 30 pF at ~ -4.4 turns
Mechanical stop at > 1500 pF at ~ 12.3 turns

Self inductance and resonance frequency



Special Features:

Integrated Flange

Subject to change without prior notice

Note: Technical information in Service Bulletin
SB-52 must be considered