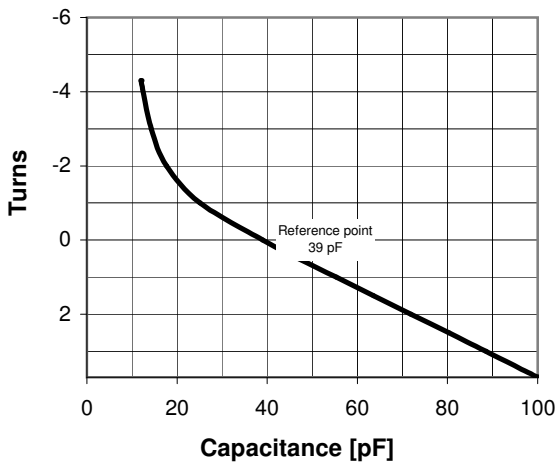
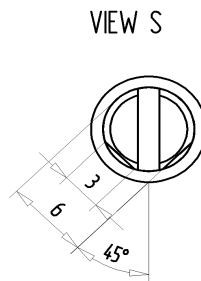
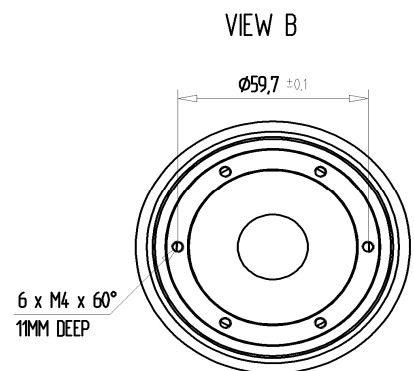
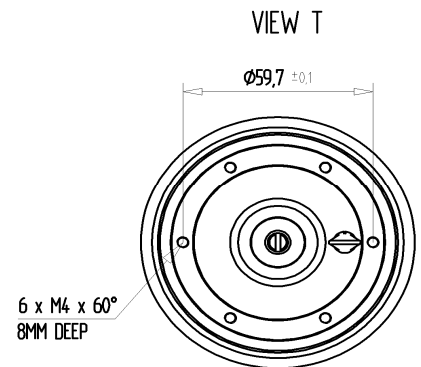


CVPO-100AC/15-BEAA

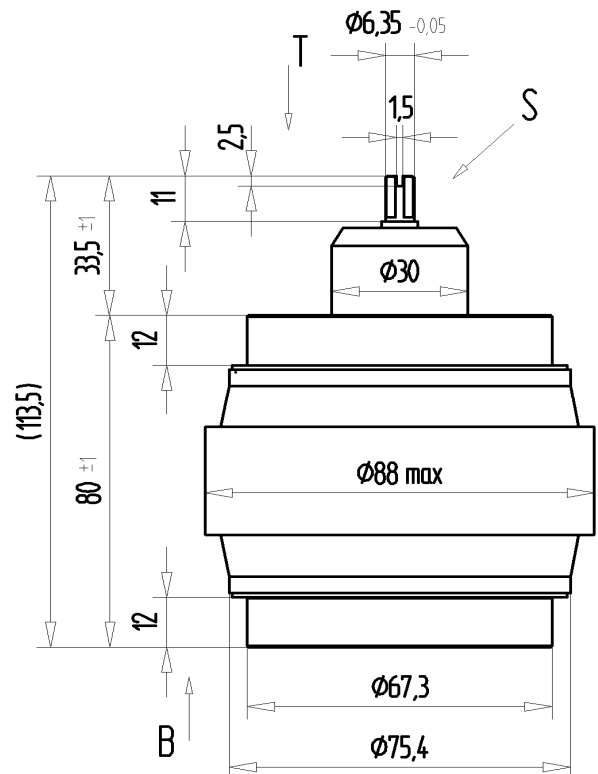
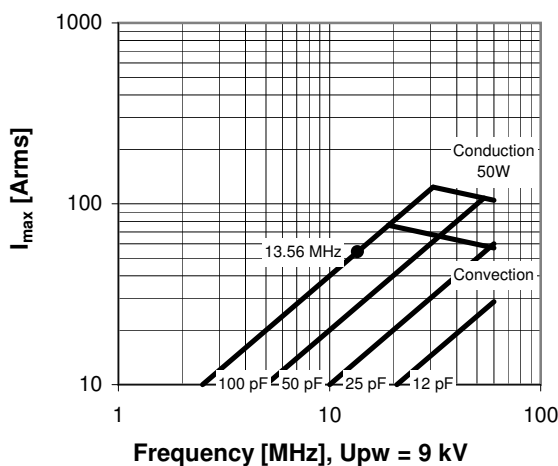
Old Type Designation: CV1C-100R

Specifications

Capacity C_{max} (nominal)	100 pF
Capacity C_{min} (nominal)	12 pF
Voltage (Peak Test U_{pt} / Peak Working U_{pw})	15 kV / 9 kV
Capacity Tolerance (linear Range)	10%
Max. Current I_{max} at 13.56 MHz with	54 Arms
Conduction Cooling	50 W
Self Inductance	≤ 4 nH
Capacitance per turn	16.5 pF/turn
Torque	≤ 0.4 Nm
Net Weight	1.2 kg



I_{max} at 25°C ambient and 125°C surface temp. for convection and conduction (50 W) cooling



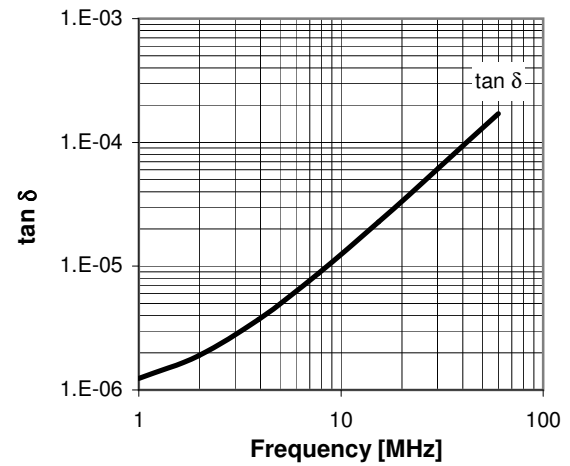
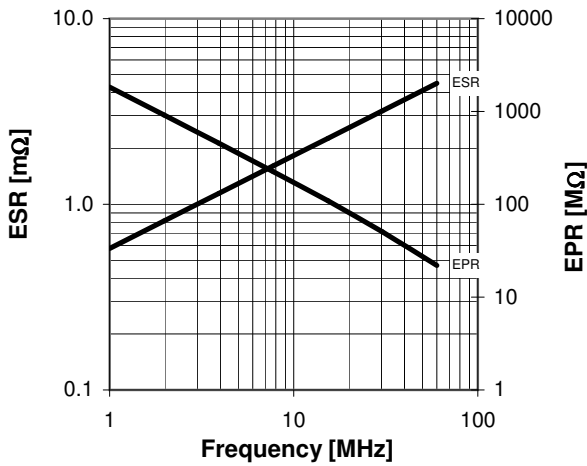
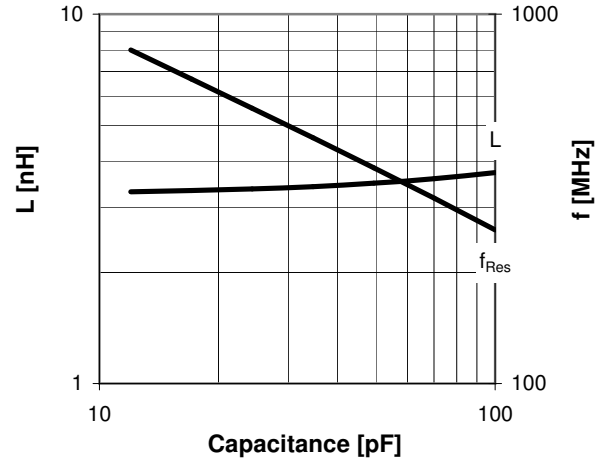
CVPO-100AC/15-BEAA

Old Type Designation: CV1C-100R

Turns	Nominal Capacitance [pF]	Tolerance
-4.3	12.0	10%
-3.0	14.3	10%
-2.0	17.7	10%
-1.0	25.1	10%
0.0	39.0	0%
0.5	46.9	10%
1.0	55.3	10%
1.5	63.6	10%
2.0	71.9	10%
2.5	80.3	10%
3.0	88.6	10%
3.7	100.0	10%

Mechanical stop at < 12 pF at ~ -4.7 turns
Mechanical stop at > 100 pF at ~ 4 turns

Self inductance and resonance frequency



Type Ordering Information:	Upt
CVPO-100AC/15-BEAA	15 kV
CVPO-100AC/10-BEAA	10 kV
CVPO-100AC/7.5-BEAA	7.5 kV