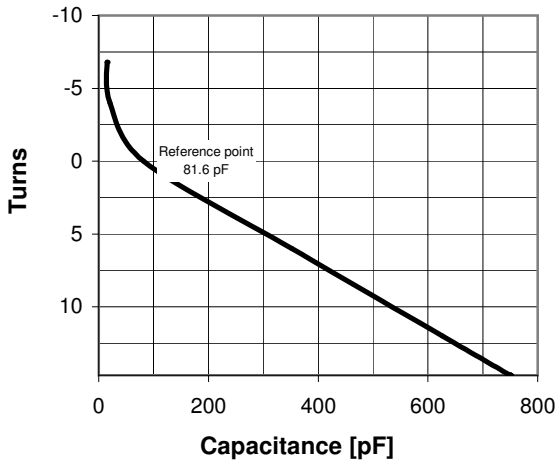
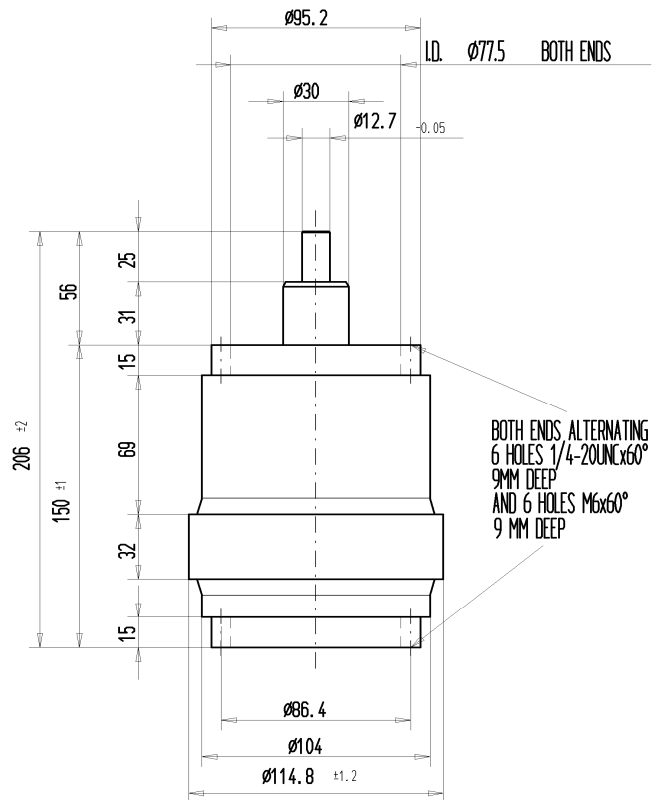
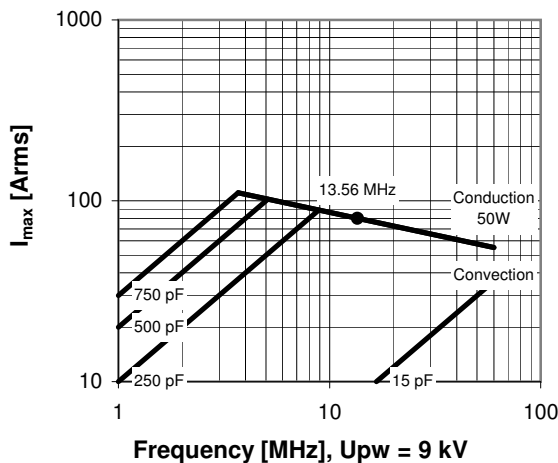


| Specifications | |
|--|-----------------|
| Capacity C_{max} (nominal) | 750 pF |
| Capacity C_{min} (nominal) | 15 pF |
| Voltage (Peak Test U_{pt} / Peak Working U_{pw}) | 15 kV / 9 kV |
| Capacity Tolerance (linear Range) | 10% |
| Max. Current I_{max} at 13.56 MHz with Conduction Cooling | 79 Arms 50 W |
| Capacitance per turn | 45.5 pF/turn |
| Torque | ≤ 0.3 Nm |
| Net Weight | 2.9 kg |



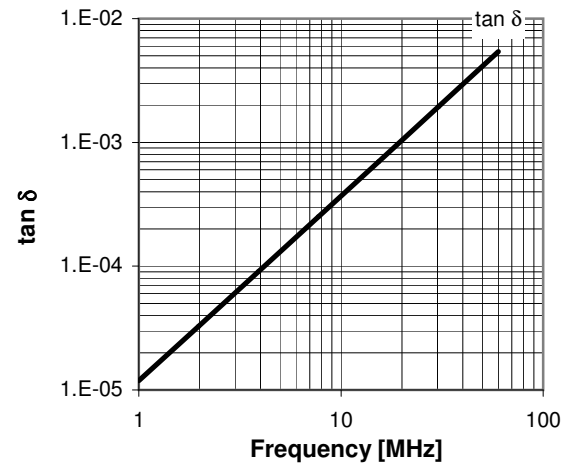
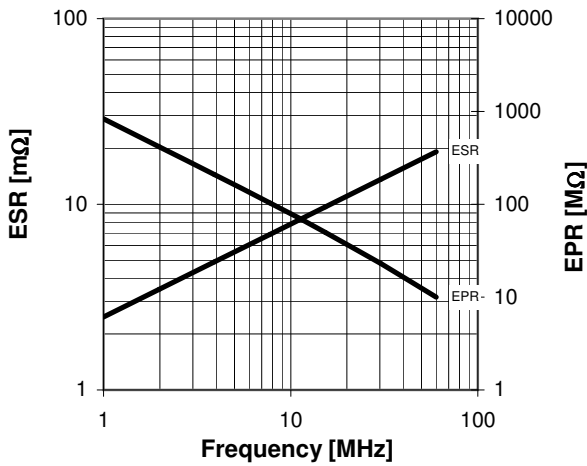
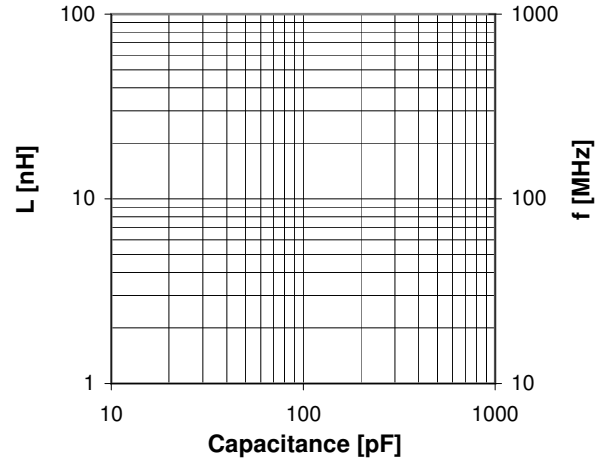
I_{max} at 25 °C ambient and 125 °C surface temp. for convection and conduction (50 W) cooling



| Turns | Nominal Capacitance [pF] | Tolerance |
|-------|--------------------------|-----------|
| -6.8 | 15.0 | 10% |
| -4.0 | 20.3 | 10% |
| 0.0 | 81.6 | 0% |
| 6.0 | 351.9 | 10% |
| 12.0 | 625.9 | 10% |
| 14.7 | 750.0 | 10% |

Mechanical stop at < 15 pF at ~ -11.5 turns
Mechanical stop at > 750 pF at ~ 14.9 turns

Self inductance and resonance frequency



| Type Ordering Information: | Upt |
|----------------------------|--------|
| CVNA-750BC/15-AAA | 15 kV |
| CVNA-750BC/10-AAA | 10 kV |
| CVNA-750BC/7.5-AAA | 7.5 kV |