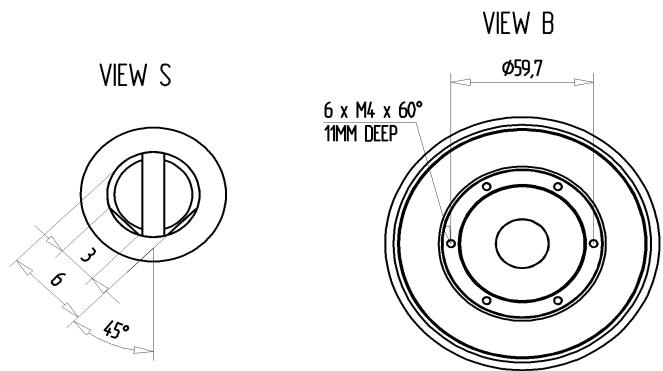
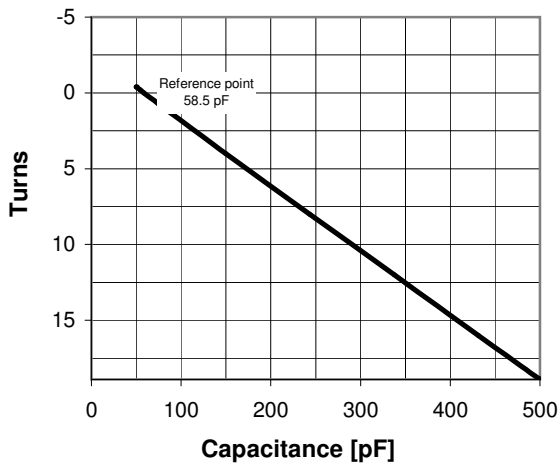
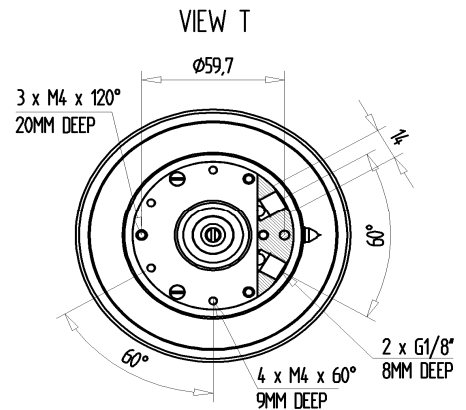
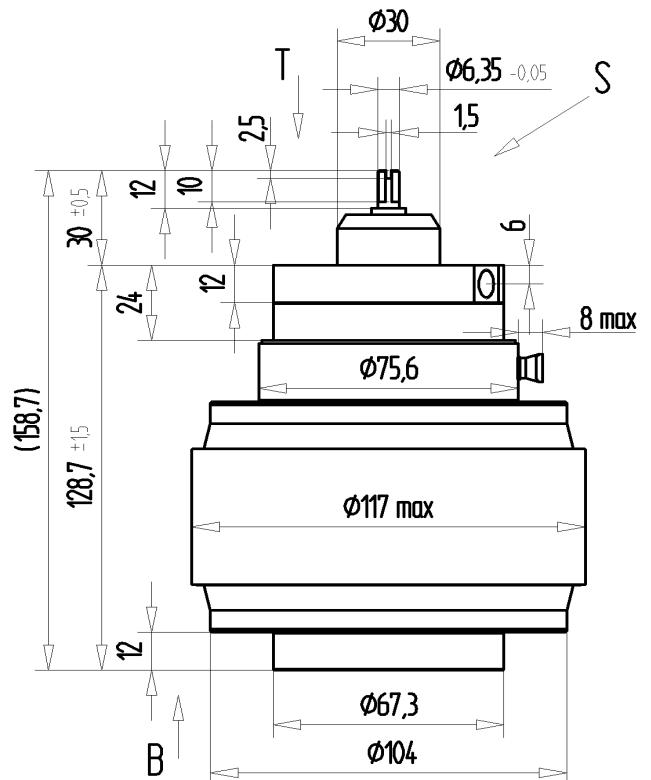
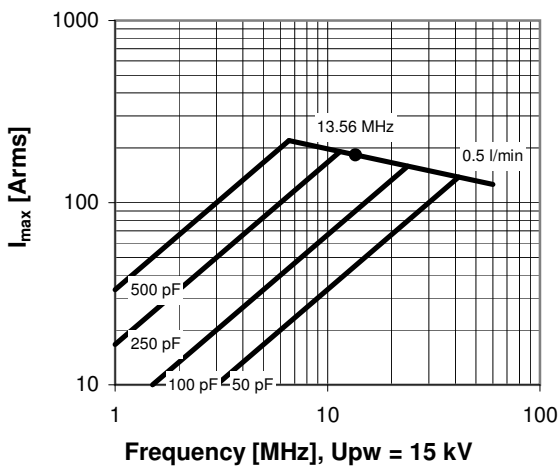


## CVMX-500AW/25-BEAA-HJ

Specifications	
Capacitance $C_{max}$ (nominal)	500 pF
Capacitance $C_{min}$ (nominal)	50 pF
Voltage (Peak Test $U_{pt}$ / Peak Working $U_{pw}$ )	25 kV / 15 kV
Capacitance Tolerance (linear Range)	2%
Max. Current $I_{max}$ at 13.56 MHz with	182 Arms
Water Cooling	0.5 l/min
Self Inductance	$\leq 7$ nH
Capacitance per turn	23.4 pF/turn
Torque	$\leq 0.6$ Nm
Net Weight	2.7 kg



$I_{max}$  for 0.5 l/min water cooling; max. water temp. at inlet: 70 °C



Subject to change without prior notice

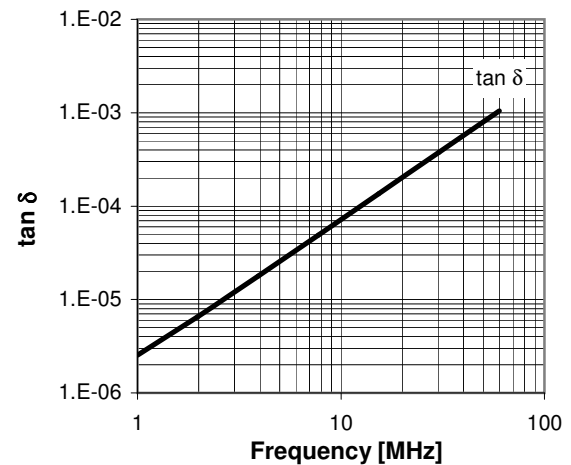
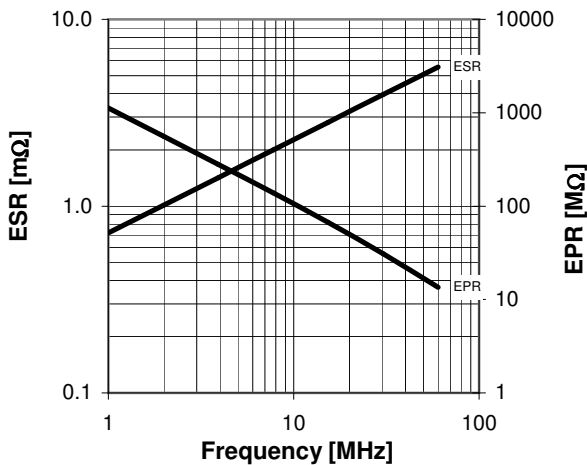
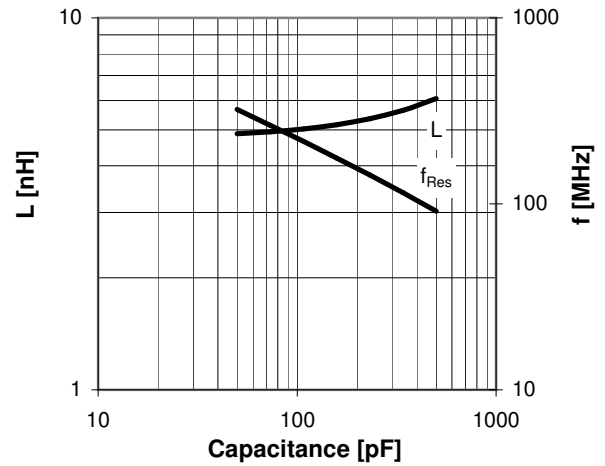
Note: Technical information in Service Bulletin  
SB-52 must be considered

## CVMX-500AW/25-BEAA-HJ

Turns	Nominal Capacitance [pF]	Tolerance
-0.4	50.0	2%
-0.2	54.3	2%
0.0	58.5	0%
4.0	149.5	2%
8.0	243.5	2%
12.0	337.5	2%
16.0	431.6	2%
18.9	500.0	2%

Mechanical stop at < 50 pF at ~ -2.9 turns  
Mechanical stop at > 500 pF at ~ 19.1 turns

Self inductance and resonance frequency



**Special Features:**

Special C-Curve / Special Capacity Tolerance,  
Special Bellows

Subject to change without prior notice

Note: Technical information in Service Bulletin  
SB-52 must be considered