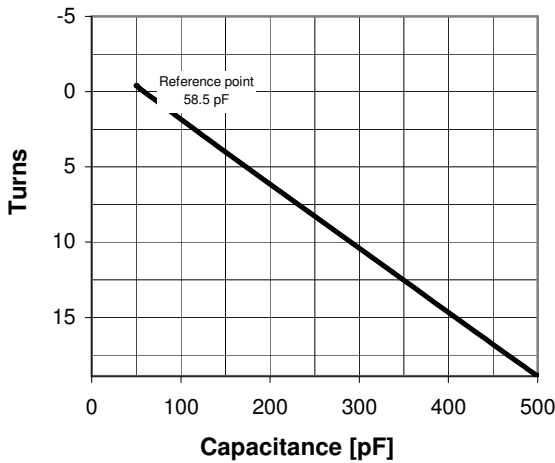
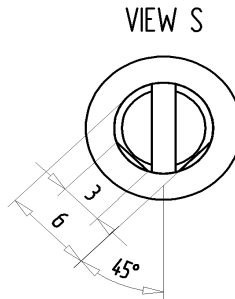
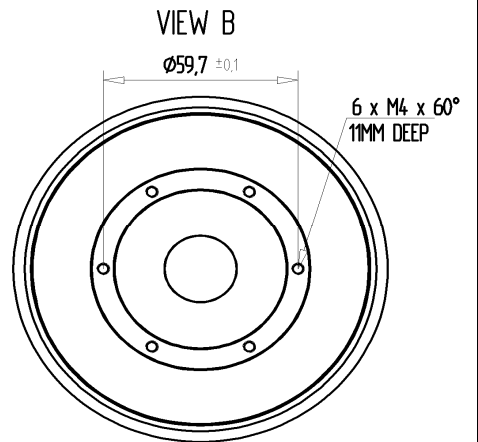
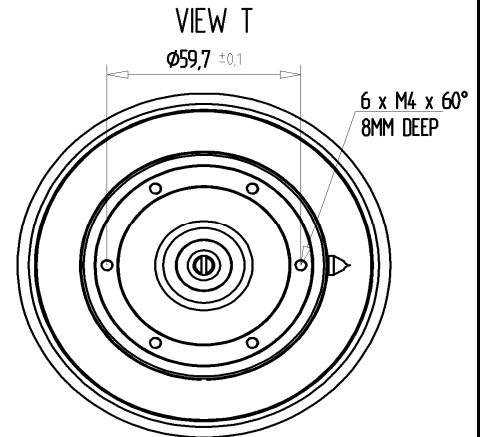


CVMX-500AC/25-BEAA-J

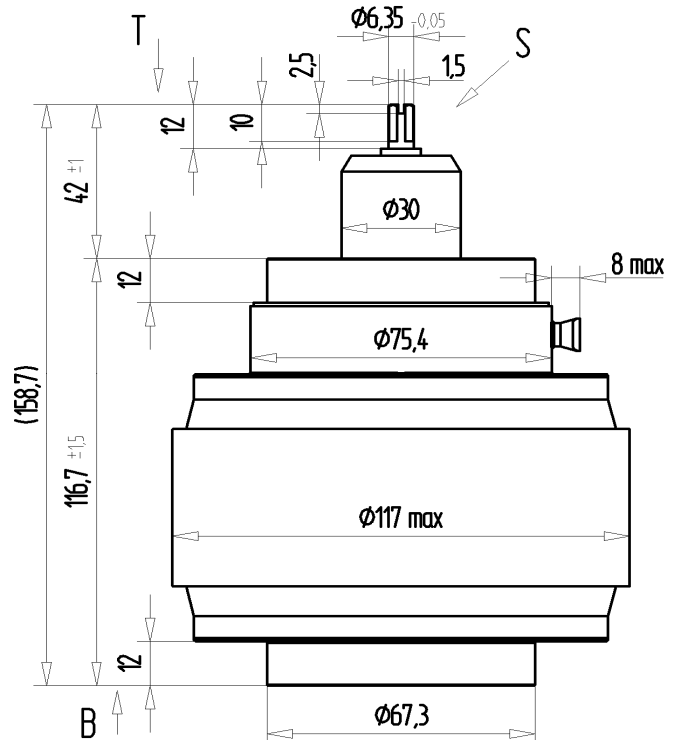
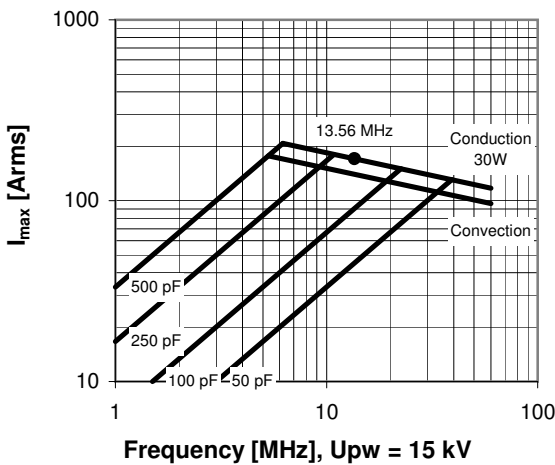
Old Type Designation: CV1C-500IG

Specifications

| | |
|---|---------------|
| Capacity C_{max} (nominal) | 500 pF |
| Capacity C_{min} (nominal) | 50 pF |
| Voltage (Peak Test U_{pt} / Peak Working U_{pw}) | 25 kV / 15 kV |
| Capacity Tolerance (linear Range) | 10% |
| Max. Current I_{max} at 13.56 MHz with | 170 Arms |
| Conduction Cooling | 30 W |
| Self Inductance | ≤ 7 nH |
| Capacitance per turn | 23.4 pF/turn |
| Torque | ≤ 0.6 Nm |
| Net Weight | 2.5 kg |



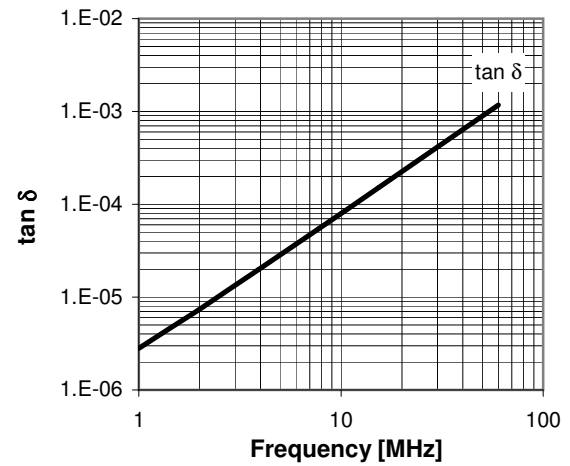
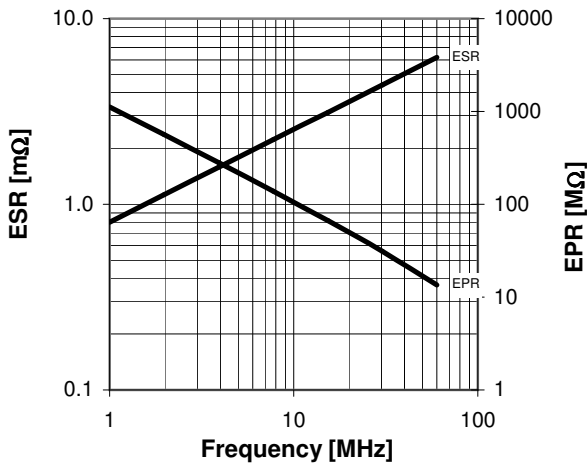
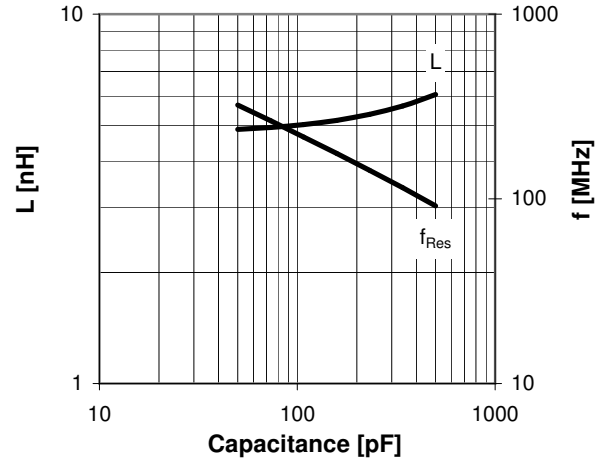
I_{max} at 25°C ambient and 125°C surface temp. for convection and conduction (30 W) cooling



| Turns | Nominal Capacitance [pF] | Tolerance |
|-------|--------------------------|-----------|
| -0.4 | 50.0 | 10% |
| -0.2 | 54.3 | 10% |
| 0.0 | 58.5 | 0% |
| 4.0 | 149.5 | 10% |
| 8.0 | 243.5 | 10% |
| 12.0 | 337.5 | 10% |
| 16.0 | 431.6 | 10% |
| 18.9 | 500.0 | 10% |

Mechanical stop at < 50 pF at ~ -2.9 turns
Mechanical stop at > 500 pF at ~ 19.1 turns

Self inductance and resonance frequency



Special Features:

Special Bellows