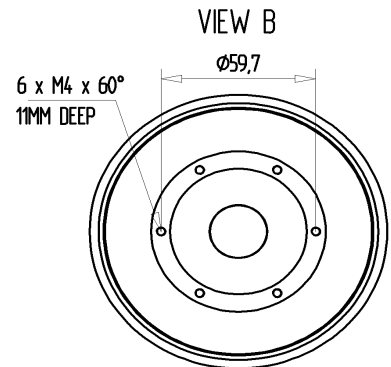
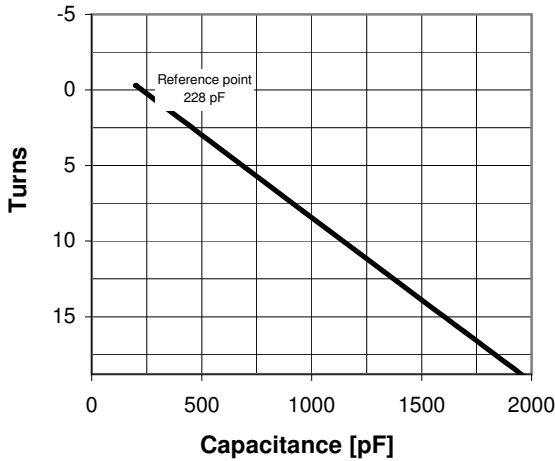
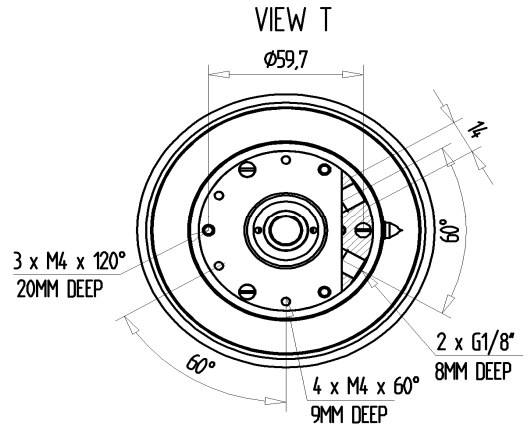
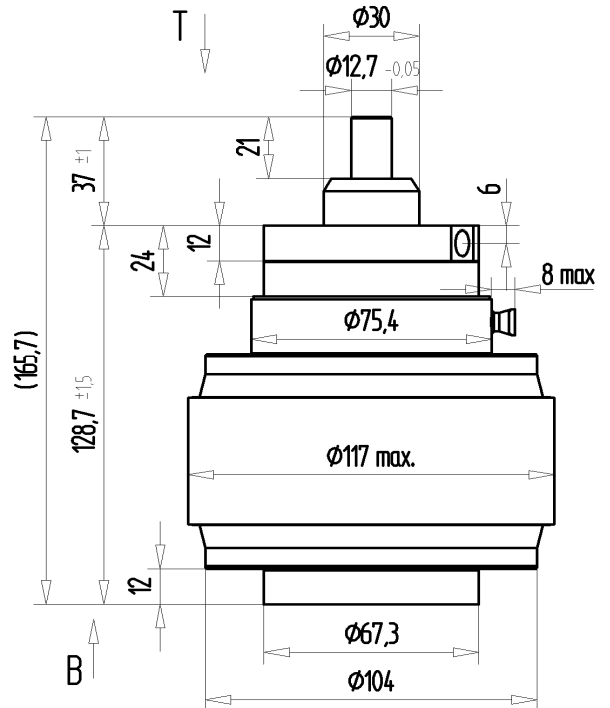
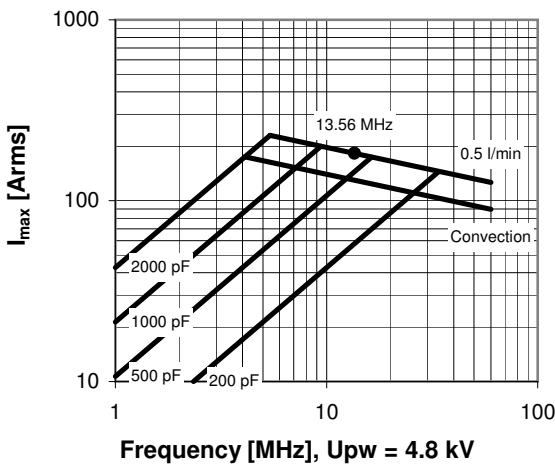


CVMX-2000BW/8-AAAA-AJ

Specifications	
Capacity C_{max} (nominal)	2000 pF
Capacity C_{min} (nominal)	200 pF
Voltage (Peak Test U_{pt} / Peak Working U_{pw})	8 kV / 4.8 kV
Capacity Tolerance (linear Range)	10%
Max. Current I_{max} at 13.56 MHz with	182 Arms
Water Cooling	0.5 l/min
Self Inductance	≤ 11 nH
Capacitance per turn	91.8 pF/turn
Torque	≤ 0.6 Nm
Net Weight	2.8 kg



I_{max} for 0.5 l/min water cooling; max. water temp. at inlet: 70°C



Subject to change without prior notice

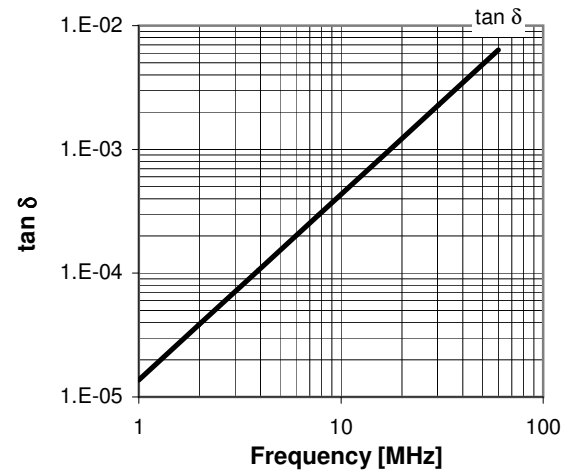
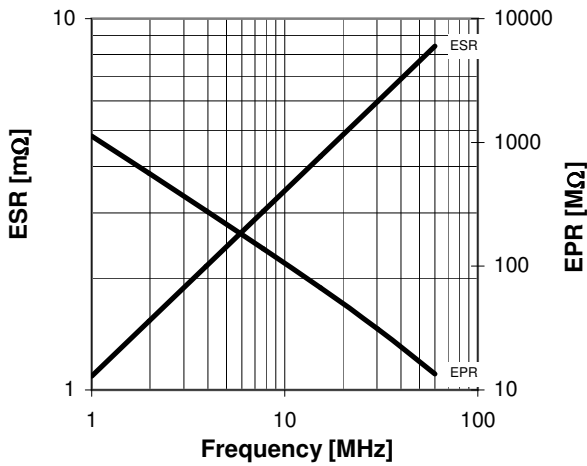
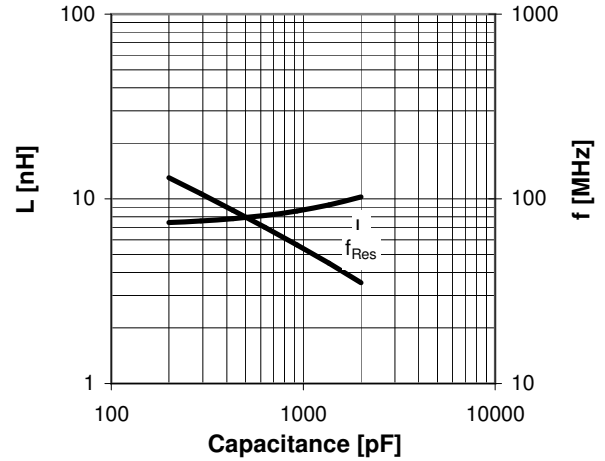
Note: Technical information in Service Bulletin
SB-52 must be considered

CVMX-2000BW/8-AAAA-AJ

Turns	Nominal Capacitance [pF]	Tolerance
-0.3	200.0	2.5%
0.0	228.0	0%
4.0	593.2	10%
8.0	959.6	10%
12.0	1327.4	10%
16.0	1695.7	10%
19.3	2000.0	10%

Slamindex at 200 +/- 5 pF at -0.3 +/- 0.2 turns
Mechanical stop at > 2000 pF at ~ 19.8 turns

Self inductance and resonance frequency



Special Features:

Slam Index, Special Bellows

Subject to change without prior notice

Note: Technical information in Service Bulletin
SB-52 must be considered