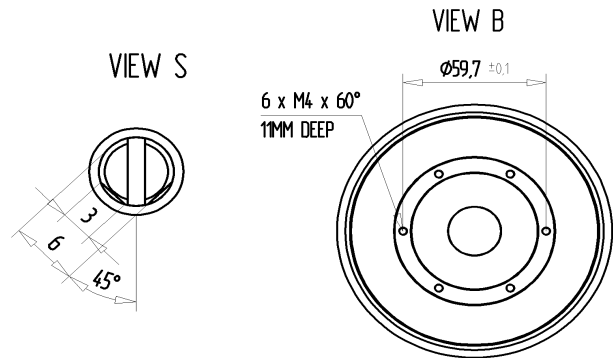
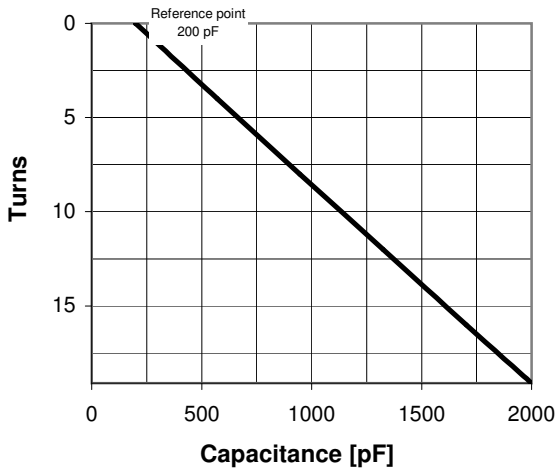
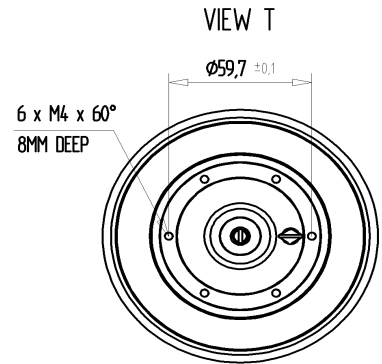


CVMX-2000AC/8-BEAA

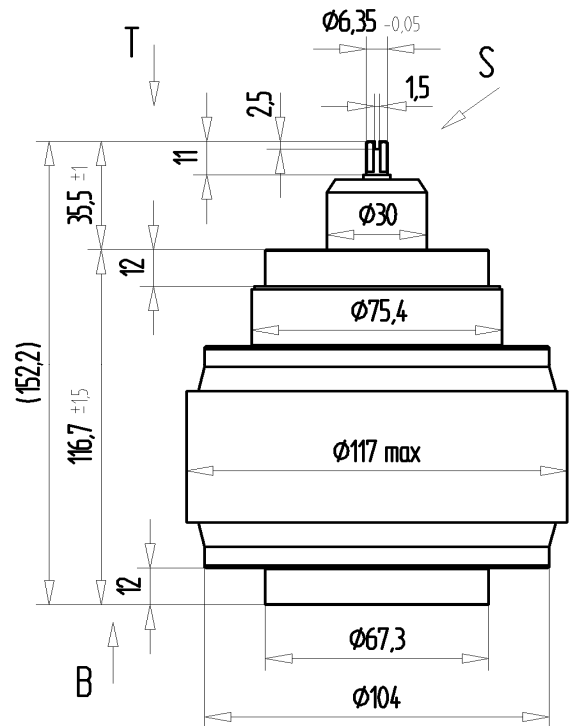
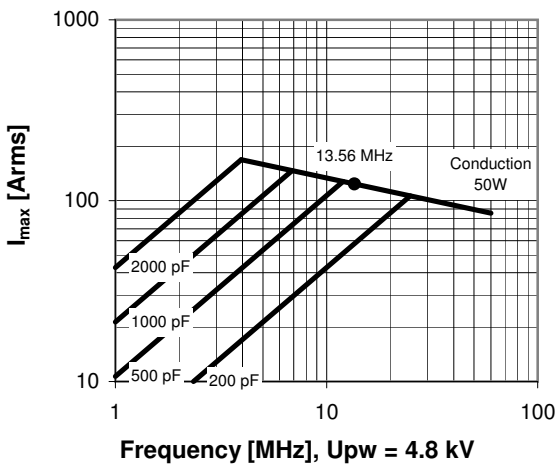
Old Type Designation: CV1C-2000V

Specifications

Capacity C_{max} (nominal)	2000 pF
Capacity C_{min} (nominal)	200 pF
Voltage (Peak Test U_{pt} / Peak Working U_{pw})	8 kV / 4.8 kV
Capacity Tolerance (linear Range)	10%
Max. Current I_{max} at 13.56 MHz with Conduction Cooling	123 Arms
Self Inductance	≤ 10 nH
Capacitance per turn	94.2 pF/turn
Torque	≤ 0.6 Nm
Net Weight	2.4 kg



I_{max} at 25°C ambient and 125°C surface temp. for convection and conduction (50 W) cooling



CVMX-2000AC/8-BEAA

Old Type Designation: CV1C-2000V

Turns	Nominal Capacitance [pF]	Tolerance
0.0	200.0	0%
4.0	570.7	10%
8.0	945.5	10%
12.0	1324.5	10%
16.0	1703.4	10%
19.1	2000.0	10%

Mechanical stop at < 200 pF at ~ -1.2 turns
Mechanical stop at > 2000 pF at ~ 19.4 turns

Self inductance and resonance frequency

