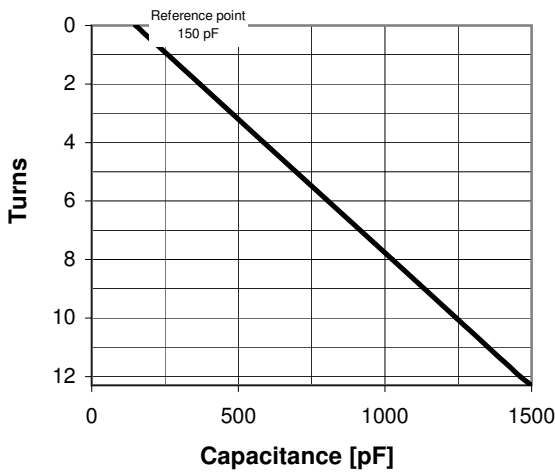
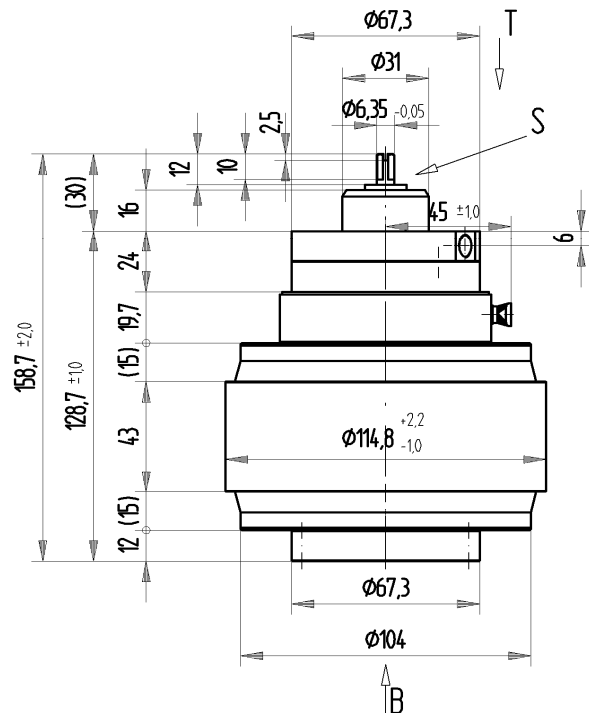
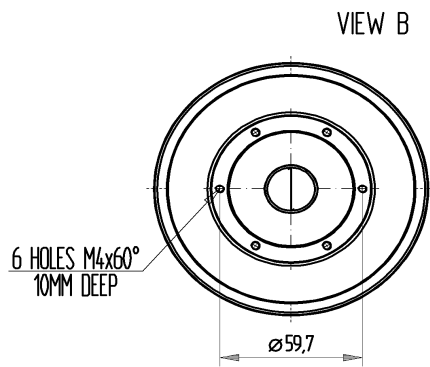
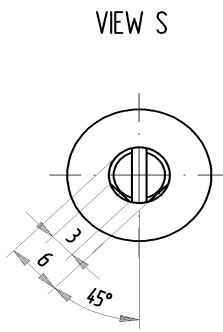
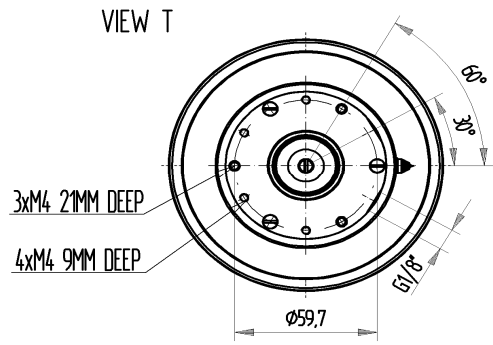
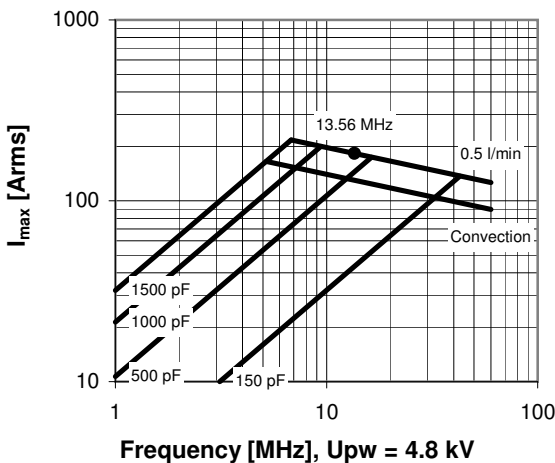


CVMX-1500BW/8-BEUA-J

Specifications	
Capacity C_{max} (nominal)	1500 pF
Capacity C_{min} (nominal)	150 pF
Voltage (Peak Test U_{pt} / Peak Working U_{pw})	8 kV / 4.8 kV
Capacity Tolerance (linear Range)	10%
Max. Current I_{max} at 13.56 MHz with	182 Arms
Water Cooling	0.5 l/min
Self Inductance	≤ 10 nH
Capacitance per turn	109.8 pF/turn
Torque	≤ 0.6 Nm
Net Weight	2.4 kg



I_{max} for 0.5 l/min water cooling; max. water temp. at inlet: 70 °C

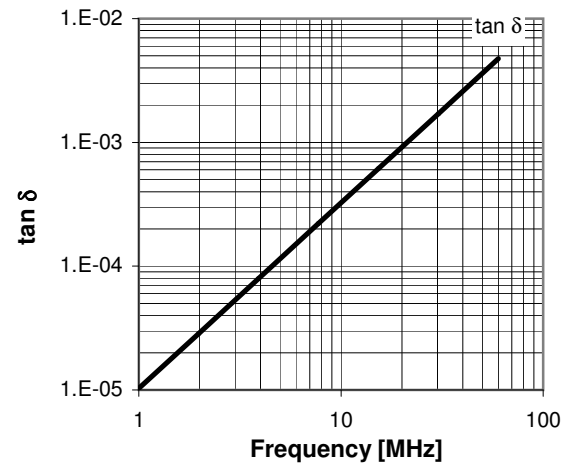
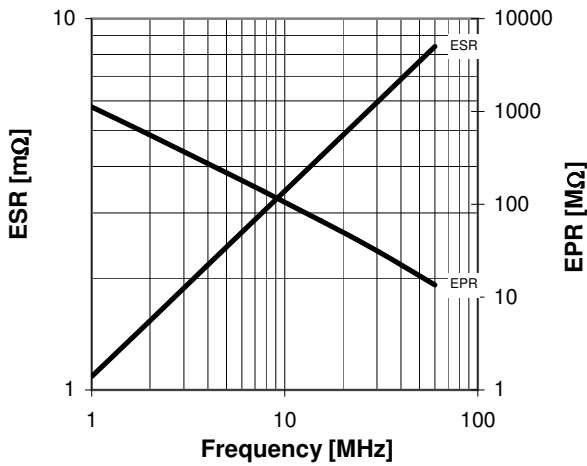
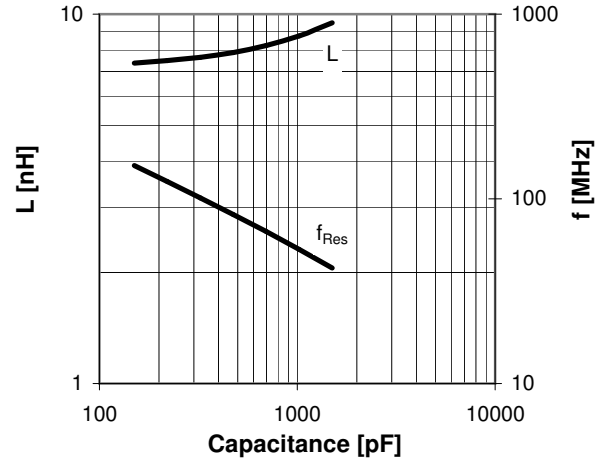


CVMX-1500BW/8-BEUA-J

Turns	Nominal Capacitance [pF]	Tolerance
0.0	150.0	0%
2.0	369.3	10%
4.0	587.3	10%
6.0	805.7	10%
8.0	1024.6	10%
10.0	1243.2	10%
12.0	1461.6	10%
12.3	1500.0	10%

Mechanical stop at < 150 pF at ~ -1.7 turns
Mechanical stop at > 1500 pF at ~ 12.4 turns

Self inductance and resonance frequency



Special Features:

Special Bellows

Type Ordering Information:

CVMX-1500BW/8-BEUA-J

Upt

8 kV