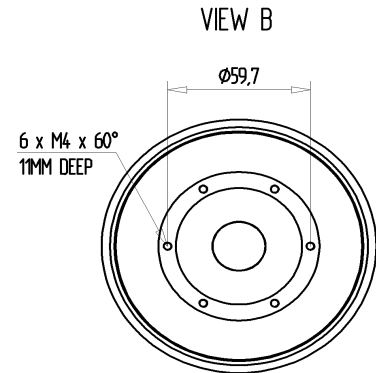
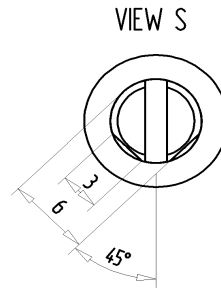
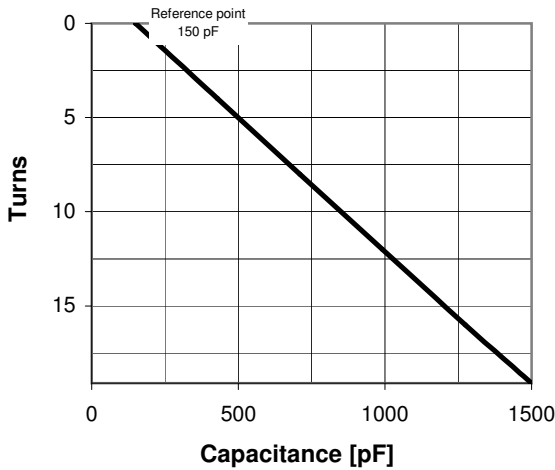
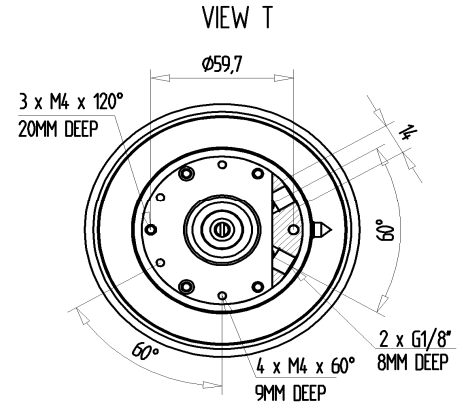


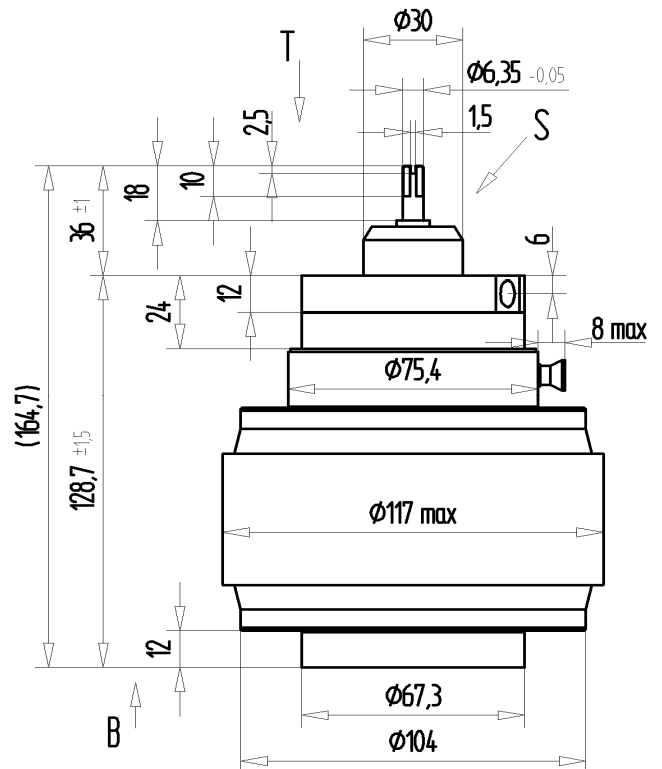
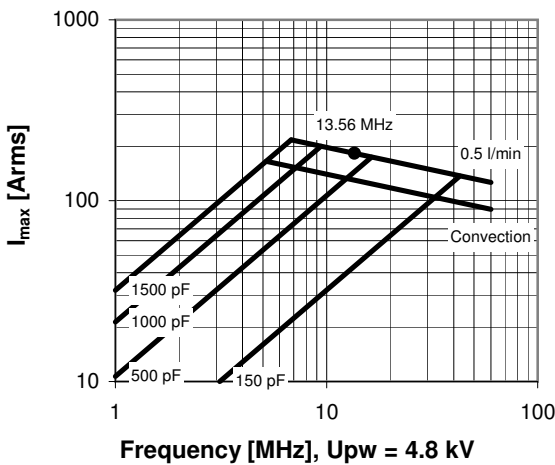
## CVMX-1500BW/8-BEAA-J1

Old Type Designation: CV05W-1500KD

Specifications	
Capacity $C_{max}$ (nominal)	1500 pF
Capacity $C_{min}$ (nominal)	150 pF
Voltage (Peak Test $U_{pt}$ / Peak Working $U_{pw}$ )	8 kV / 4.8 kV
Capacity Tolerance (linear Range)	10%
Max. Current $I_{max}$ at 13.56 MHz with	182 Arms
Water Cooling	0.5 l/min
Self Inductance	$\leq 10$ nH
Capacitance per turn	70.7 pF/turn
Torque	$\leq 0.6$ Nm
Net Weight	2.4 kg



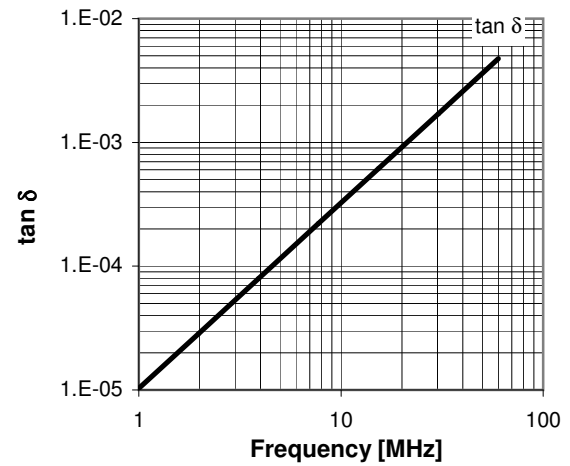
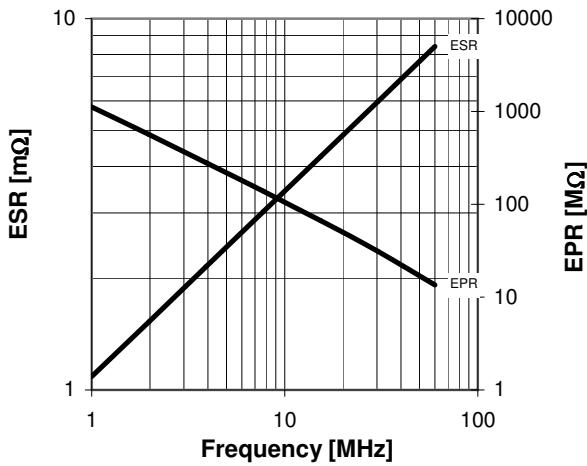
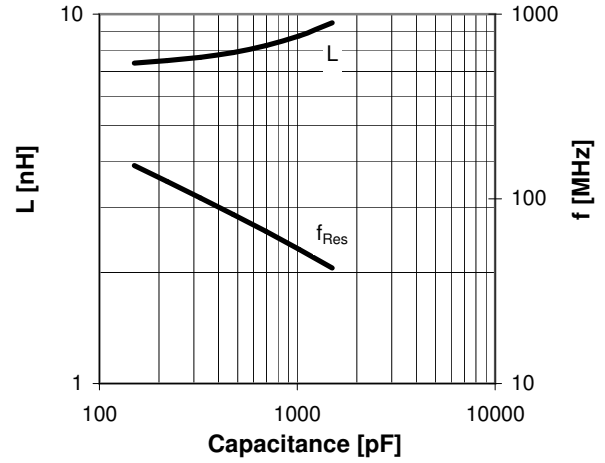
$I_{max}$  for 0.5 l/min water cooling; max. water temp. at inlet: 70 °C



Turns	Nominal Capacitance [pF]	Tolerance
0.0	150.0	0%
4.0	428.9	10%
8.0	709.8	10%
12.0	991.7	10%
16.0	1273.5	10%
19.1	1500.0	10%

Mechanical stop at < 150 pF at ~ -1.9 turns  
Mechanical stop at > 1500 pF at ~ 19.4 turns

Self inductance and resonance frequency



**Special Features:**

Special Bellows