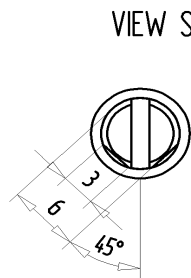
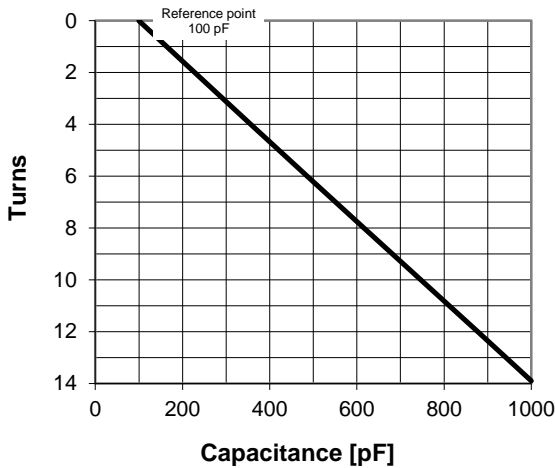
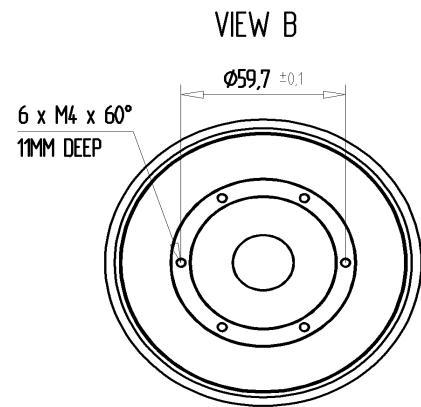
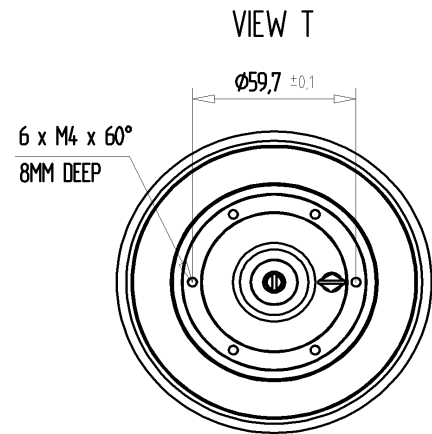


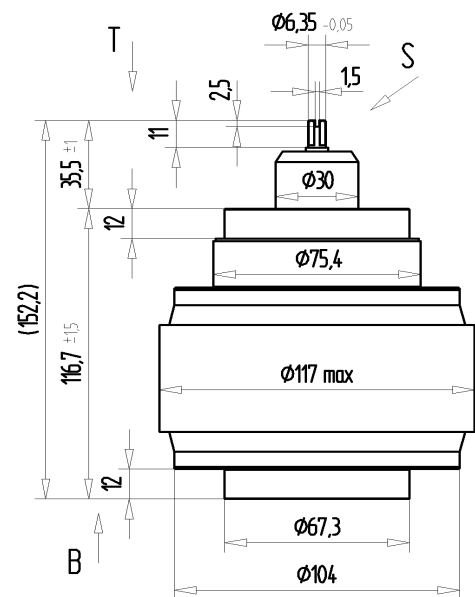
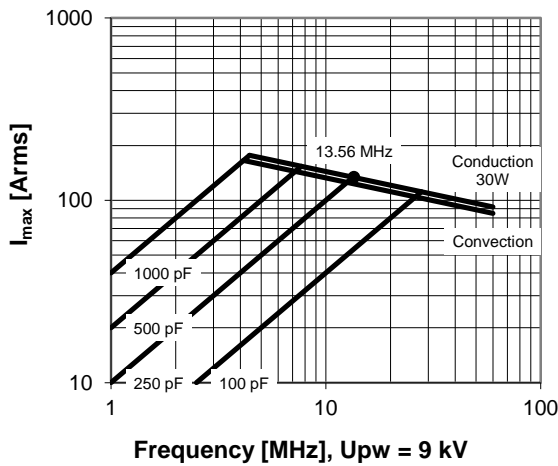
## CVMX-1000AC/15-BEKA

Old Type Designation: CV1C-1000VT

Specifications	
Capacitance $C_{max}$ (nominal)	1000 pF
Capacitance $C_{min}$ (nominal)	100 pF
Voltage (Peak Test $U_{pt}$ / Peak Working $U_{pw}$ )	15 kV / 9 kV
Capacitance Tolerance (linear Range)	10%
Max. Current $I_{max}$ at 13.56 MHz with	133 Arms
Conduction Cooling	30 W
Self Inductance	$\leq 9$ nH
Capacitance per turn	64.7 pF/turn
Torque	$\leq 0.6$ Nm
Net Weight	2.4 kg



$I_{max}$  at 25°C ambient and 125°C surface temp. for convection and conduction (30 W) cooling



Subject to change without prior notice

Note: Technical information in Service Bulletin SB-52 must be considered

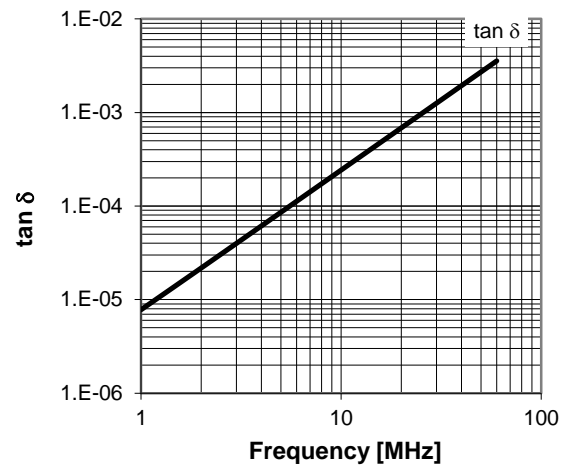
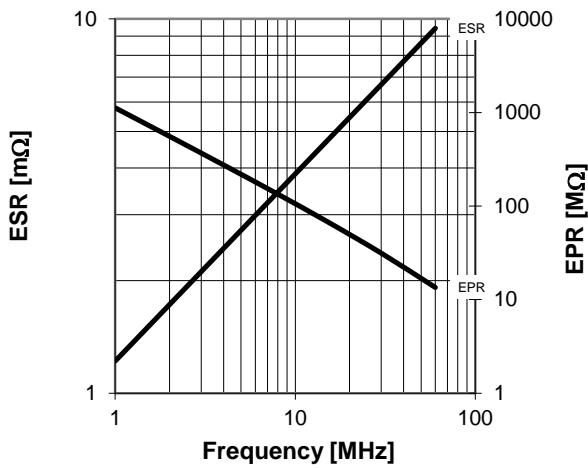
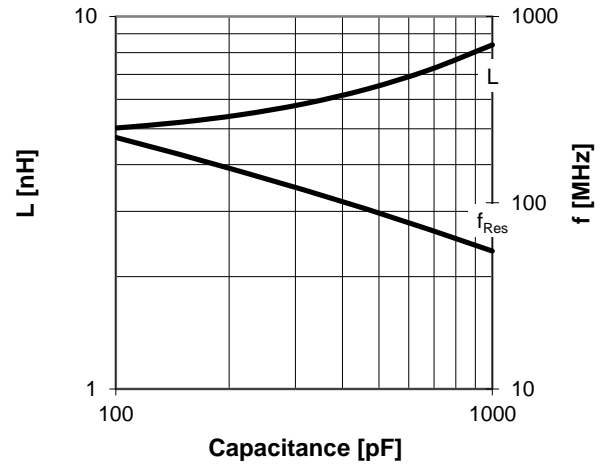
## CVMX-1000AC/15-BEKA

Old Type Designation: CV1C-1000VT

Turns	Nominal Capacitance [pF]	Tolerance
0.0	100.0	0%
4.0	356.6	10%
8.0	616.1	10%
12.0	877.0	10%
13.9	1000.0	10%

Mechanical stop at < 100 pF at ~ -0.6 turns  
Mechanical stop at > 1000 pF at ~ 14.2 turns

Self inductance and resonance frequency



Subject to change without prior notice

Note: Technical information in Service Bulletin  
SB-52 must be considered