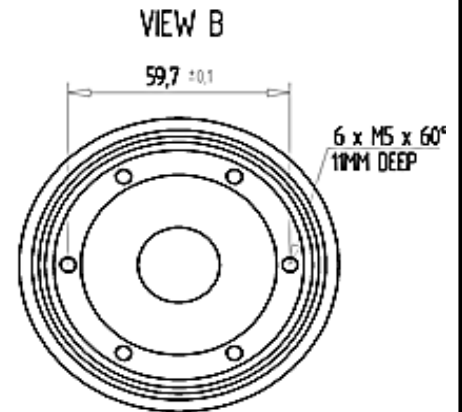
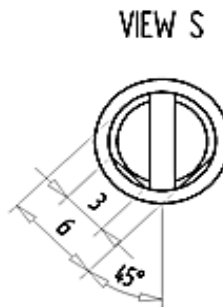
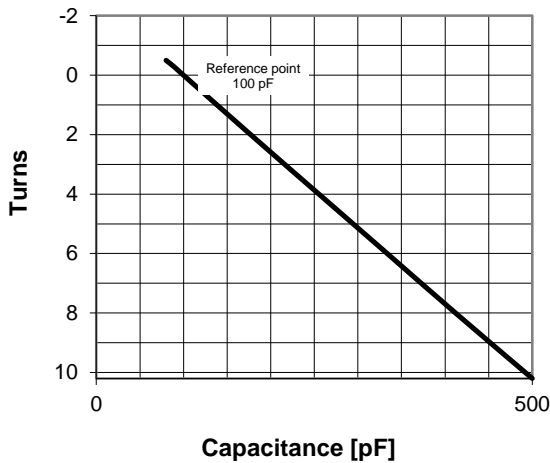
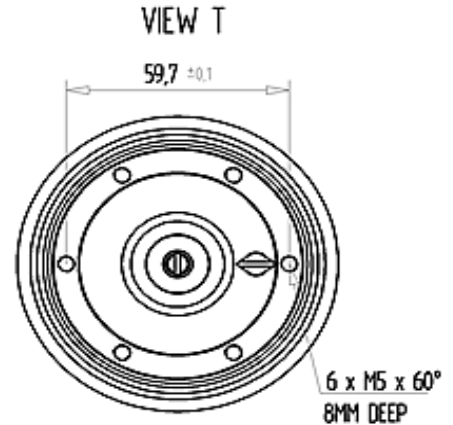
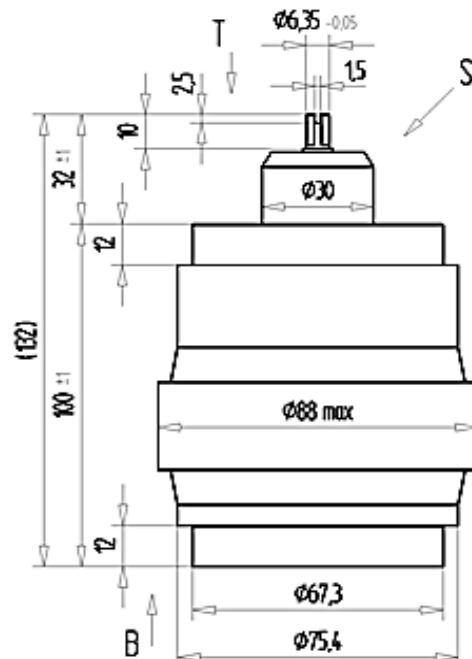
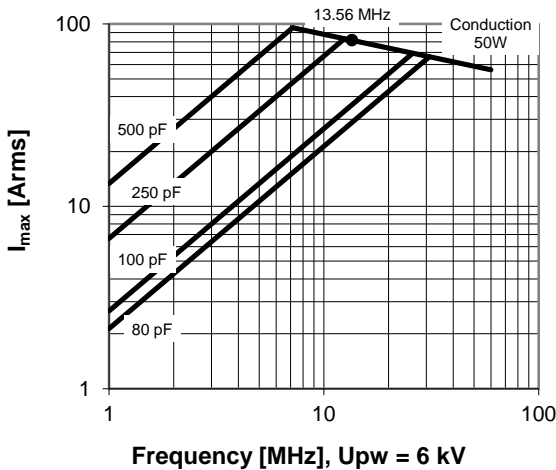


## CVMN-500BC/10-BECD

Specifications	
Capacitance $C_{max}$ (nominal)	500 pF
Capacitance $C_{min}$ (nominal)	80 pF
Voltage (Peak Test $U_{pt}$ / Peak Working $U_{pw}$ )	10 kV / 6 kV
Capacitance Tolerance (linear Range)	10%
Max. Current $I_{max}$ at 13.56 MHz with	81 Arms
Conduction Cooling	50 W
Self Inductance	$\leq 8$ nH
Capacitance per turn	39.2 pF/turn
Torque	$\leq 0.3$ Nm
Net Weight	1.45 kg



$I_{max}$  at 25°C ambient and 125°C surface temp. for con and conduction (50 W) cooling



Subject to change without prior notice

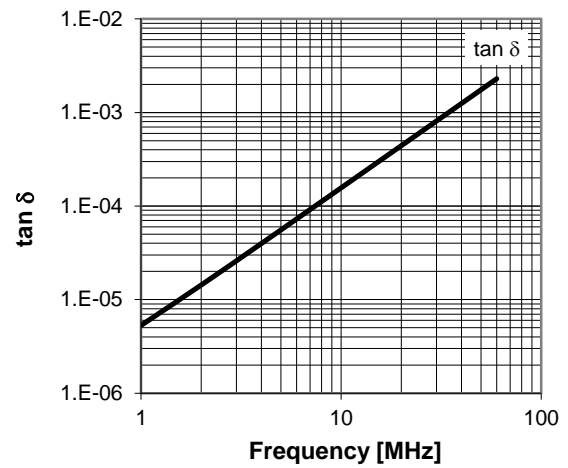
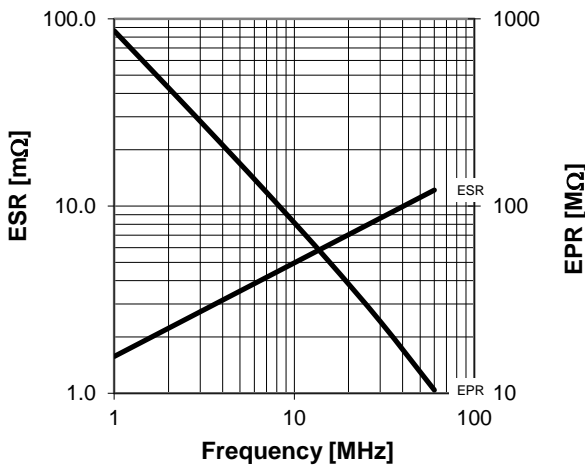
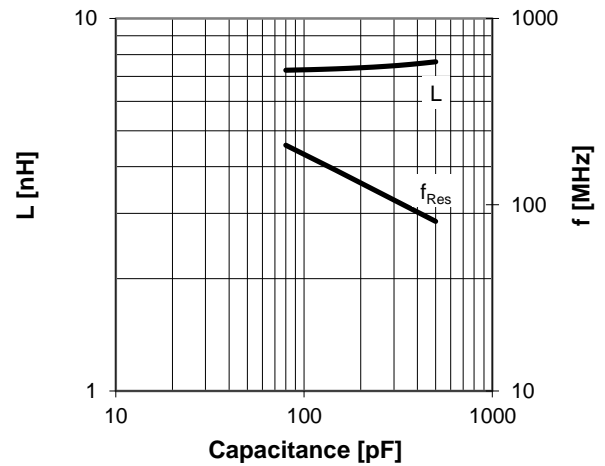
Note: Technical information in Service Bulletins SB-52 and SB-56 must be considered

## CVMN-500BC/10-BECD

Turns	Nominal Capacitance [pF]	Tolerance
-0.5	80.0	10%
-0.3	88.6	10%
0.0	100.0	0%
2.0	177.0	10%
4.0	255.3	10%
6.0	333.7	10%
8.0	412.0	10%
10.2	500.0	10%

Mechanical stop at < 80 pF at ~ -1.3 turns  
 Mechanical stop at > 500 pF at ~ 10.4 turns

Self inductance and resonance frequency



**Special Features:**

RoHS Compliant

**Approved**

By: \_\_\_\_\_

Date: \_\_\_\_\_

Company: \_\_\_\_\_

Subject to change without prior notice

Note: Technical information in Service Bulletins  
 SB-52 and SB-56 must be considered