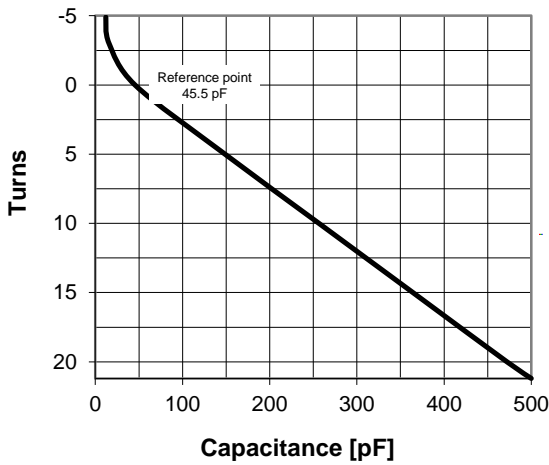
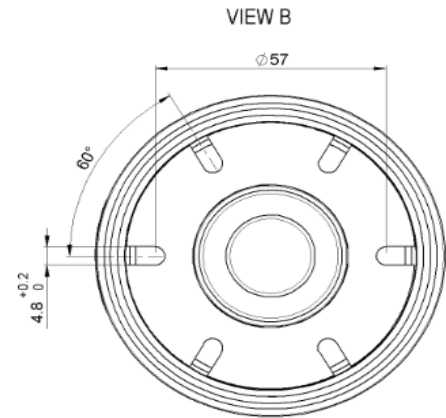
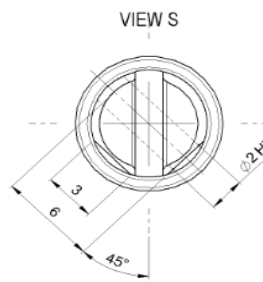
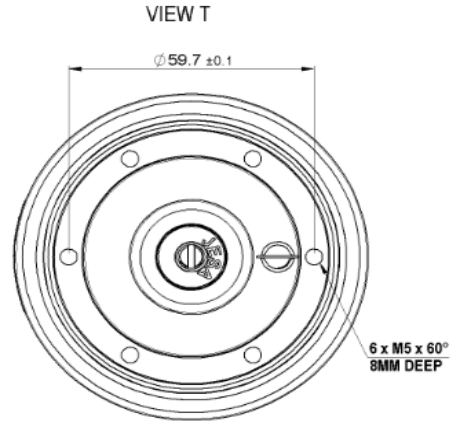


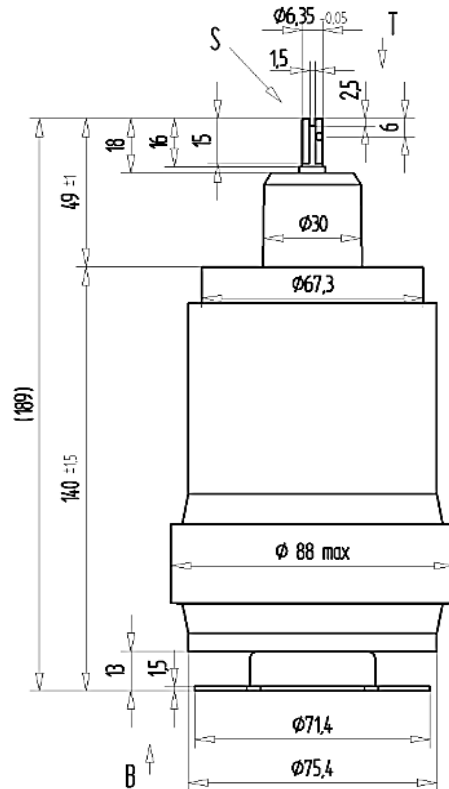
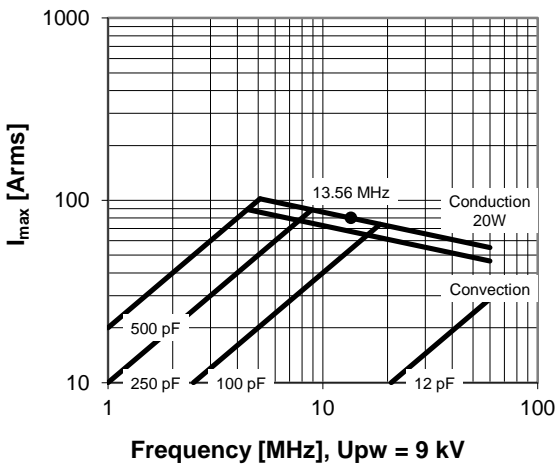
## CVMI-500BC/15-BUCL-L1

### Specifications

Capacitance $C_{max}$ (nominal)	500 pF
Capacitance $C_{min}$ (nominal)	12 pF
Voltage (Peak Test $U_{pt}$ / Peak Working $U_{pw}$ )	15 kV / 9 kV
Capacitance Tolerance (linear Range)	10%
Max. Current $I_{max}$ at 13.56 MHz with	79 Arms
Conduction Cooling	20 W
Self Inductance	$\leq 13$ nH
Capacitance per turn	21.4 pF/turn
Torque	$\leq 0.3$ Nm
Net Weight	1.6 kg



$I_{max}$  at 25°C ambient and 125°C surface temp. for convection and conduction (20 W) cooling



Subject to change without prior notice

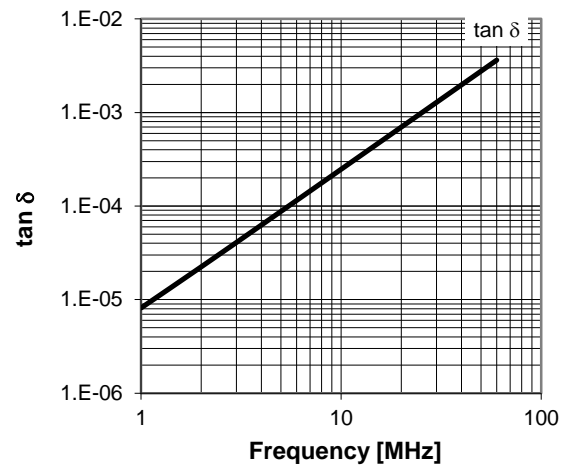
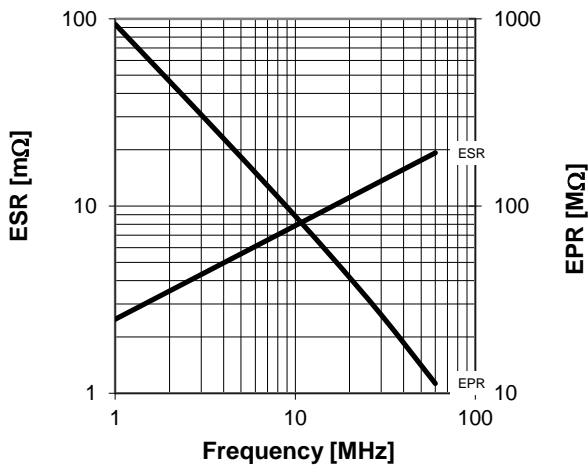
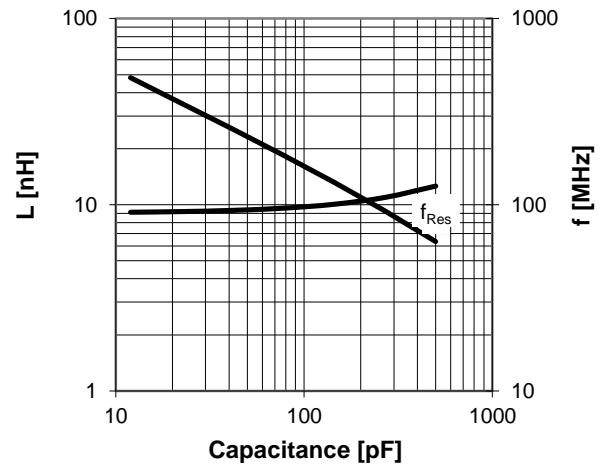
Note: Technical information in Service Bulletin SB-52 must be considered

## CVMI-500BC/15-BUCL-L1

Turns	Nominal Capacitance [pF]	Tolerance
-4.9	12.0	10%
-3.0	15.7	10%
0.0	45.5	0%
5.0	148.8	10%
10.0	256.5	10%
15.0	364.3	10%
20.0	472.1	10%
21.2	500.0	10%

Mechanical stop at < 12 pF at ~ -12 turns  
 Mechanical stop at > 500 pF at ~ 21.5 turns

Self inductance and resonance frequency



**Special Features:**

Integrated Flange, RoHS Compliant

Subject to change without prior notice

Note: Technical information in Service Bulletin  
 SB-52 must be considered