

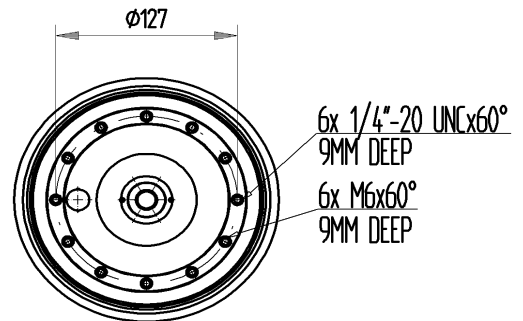
CVMA-750AC/40-AAB

Old Type Designation: CV2C-750E

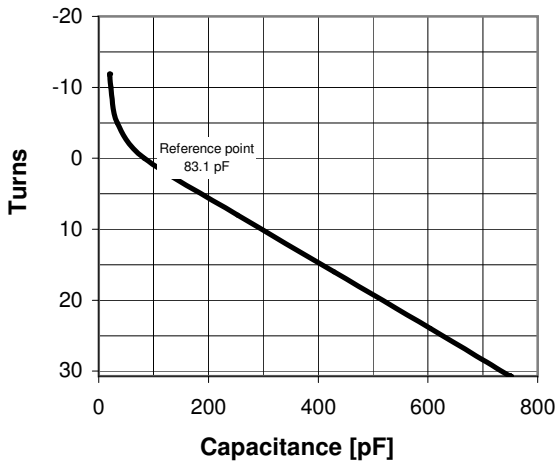
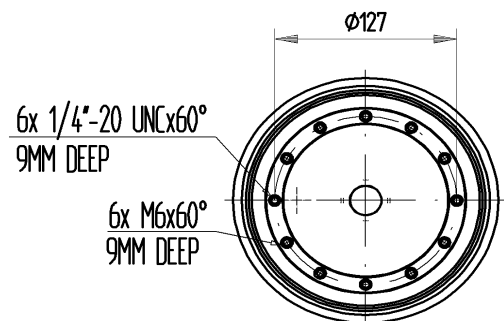
Specifications

Capacity C_{max} (nominal)	750 pF
Capacity C_{min} (nominal)	20 pF
Voltage (Peak Test U_{pt} / Peak Working U_{pw})	40 kV / 24 kV
Capacity Tolerance (linear Range)	10%
Max. Current I_{max} at 13.56 MHz	138 Arms
Capacitance per turn	21.7 pF/turn
Torque	≤ 1.5 Nm
Net Weight	8.6 kg

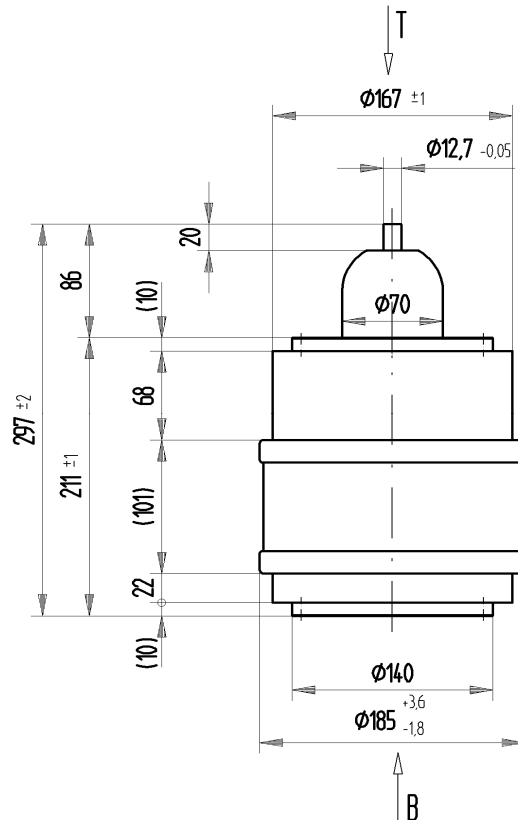
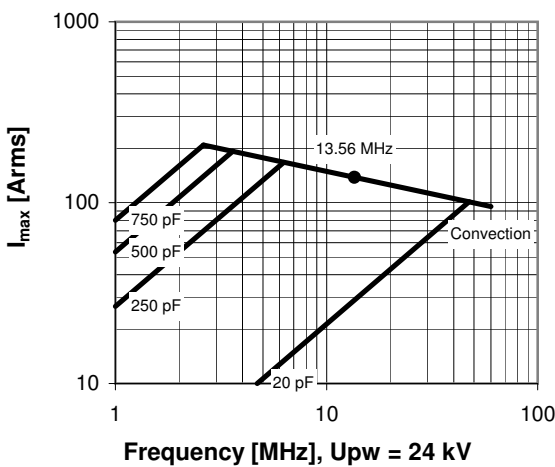
View T



View B



I_{max} at 25°C ambient and 125°C surface temp. for convection cooling



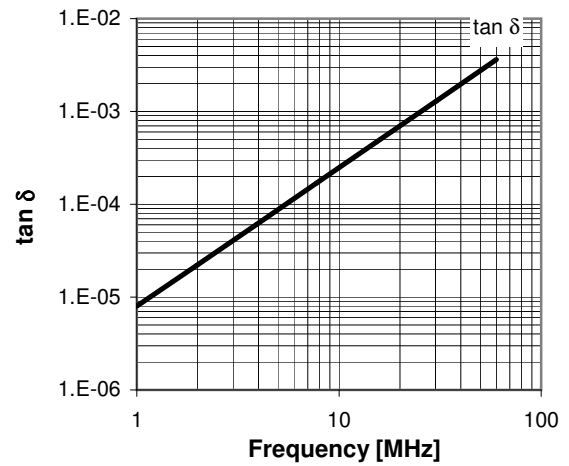
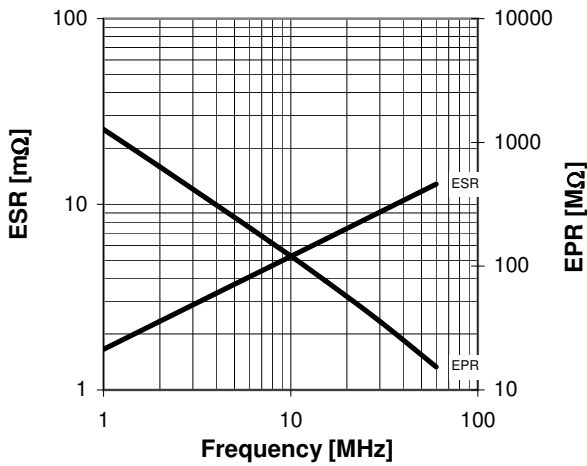
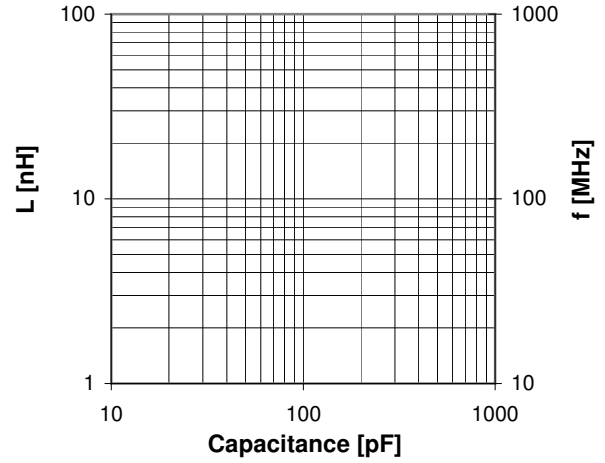
Subject to change without prior notice

Note: Technical information in Service Bulletin SB-52 must be considered

Turns	Nominal Capacitance [pF]	Tolerance
-11.9	20.0	10%
-10.0	22.3	10%
-5.0	34.1	10%
0.0	83.1	0%
8.0	253.3	10%
16.0	428.9	10%
24.0	604.5	10%
30.7	750.0	10%

Mechanical stop at < 20 pF at ~ -15.8 turns
 Mechanical stop at > 750 pF at ~ 31 turns

Self inductance and resonance frequency



Subject to change without prior notice

Note: Technical information in Service Bulletin
 SB-52 must be considered