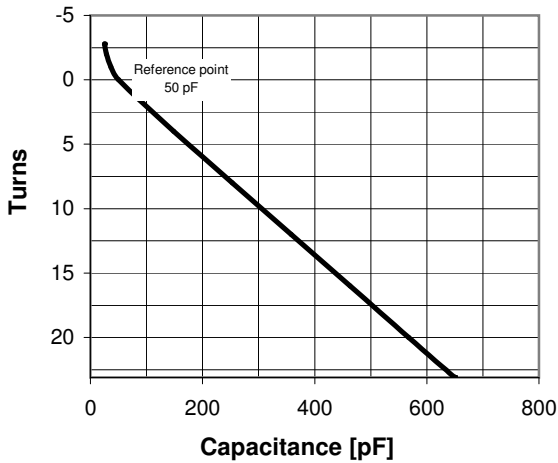


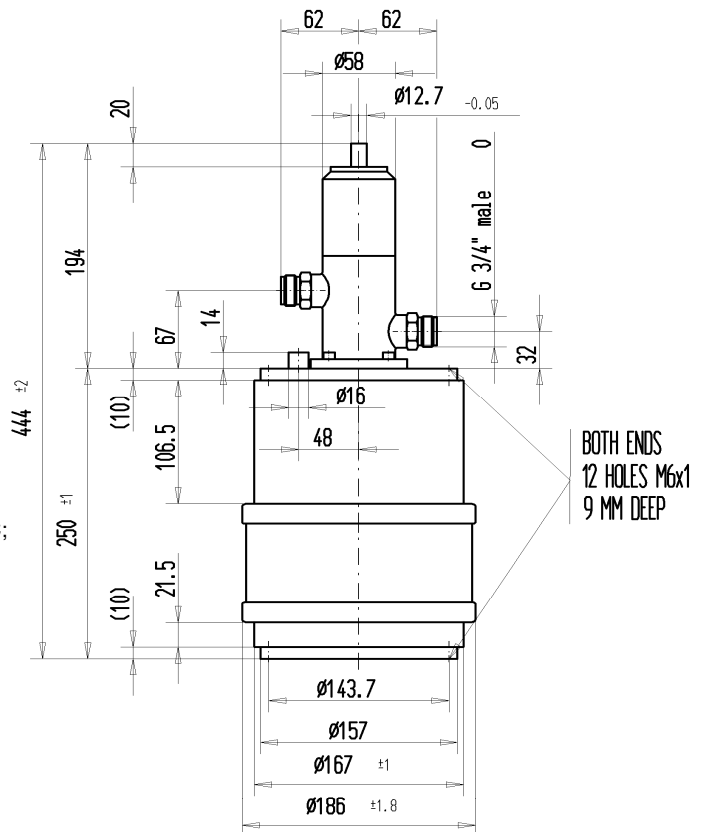
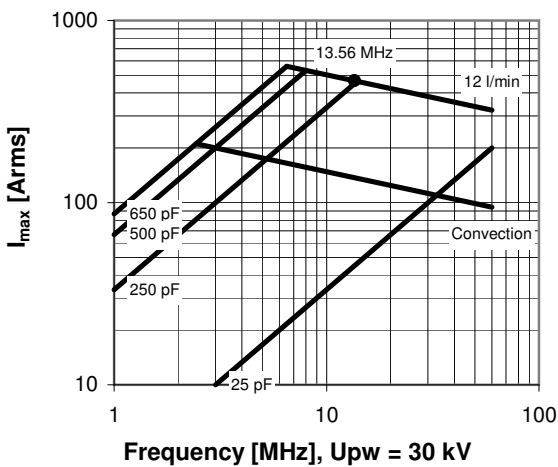
CVMA-650EW/50-AAE-V

Old Type Designation: CV3W-650P

| Specifications | |
|---|---------------|
| Capacity C_{max} (nominal) | 650 pF |
| Capacity C_{min} (nominal) | 25 pF |
| Voltage (Peak Test U_{pt} / Peak Working U_{pw}) | 50 kV / 30 kV |
| Capacity Tolerance (linear Range) | 10% |
| Max. Current I_{max} at 13.56 MHz with | 467 Arms |
| Water Cooling | 12 l/min |
| Self Inductance | ≤ 31 nH |
| Capacitance per turn | 26 pF/turn |
| Torque | ≤ 1.5 Nm |
| Net Weight | 13 kg |



I_{max} for 12 l/min water cooling; max. water temp. at inlet: 70°C;
fixed end has to be water cooled with min. 4 l/min



Subject to change without prior notice

Note: Technical information in Service Bulletin
SB-52 must be considered

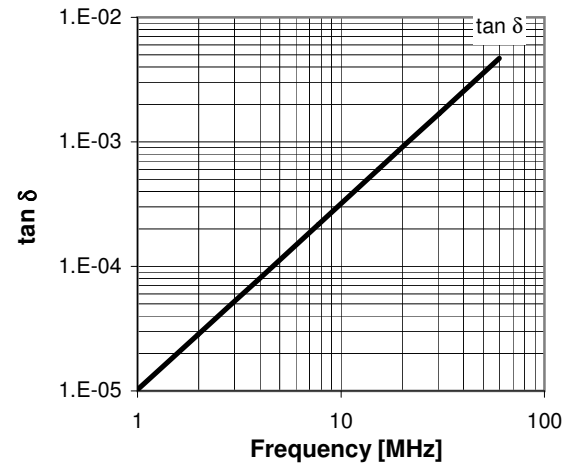
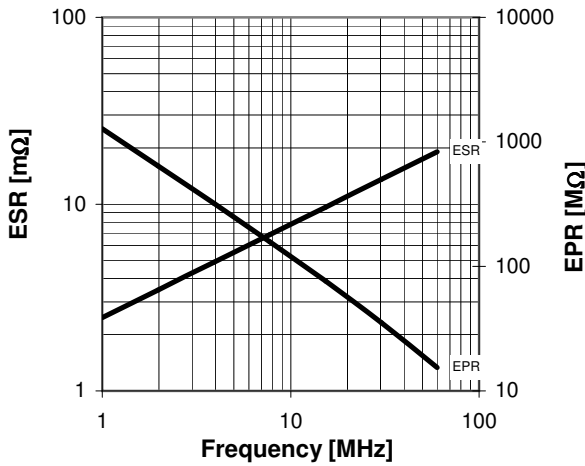
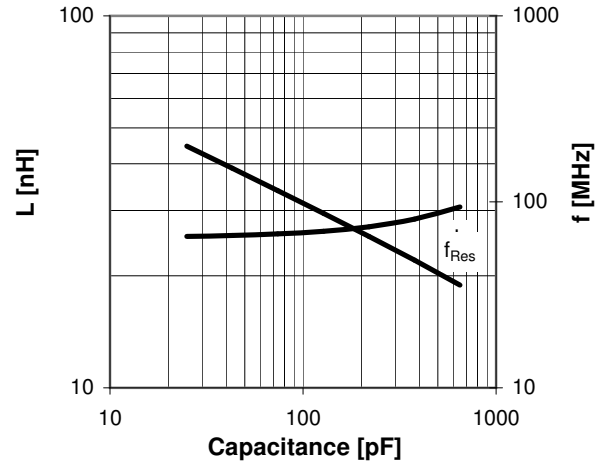
Issue:

12-Oct-2011

| Turns | Nominal Capacitance [pF] | Tolerance |
|-------|--------------------------|-----------|
| -2.8 | 25.0 | 10% |
| -2.0 | 28.7 | 10% |
| -1.0 | 36.5 | 10% |
| 0.0 | 50.0 | 0% |
| 4.0 | 148.2 | 10% |
| 8.0 | 253.1 | 10% |
| 12.0 | 358.0 | 10% |
| 16.0 | 462.9 | 10% |
| 20.0 | 567.8 | 10% |
| 23.1 | 650.0 | 10% |

Mechanical stop at < 25 pF at ~ -3.7 turns
Mechanical stop at > 650 pF at ~ 23.4 turns

Self inductance and resonance frequency



Special Features:

Special Water-Fitting

Subject to change without prior notice

Note: Technical information in Service Bulletin
SB-52 must be considered

Issue: 12-Oct-2011