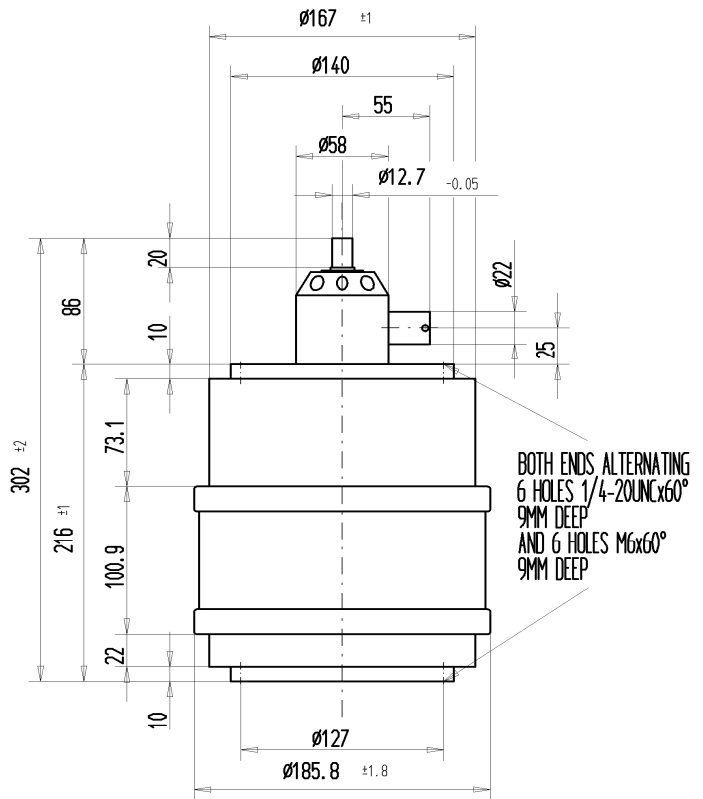
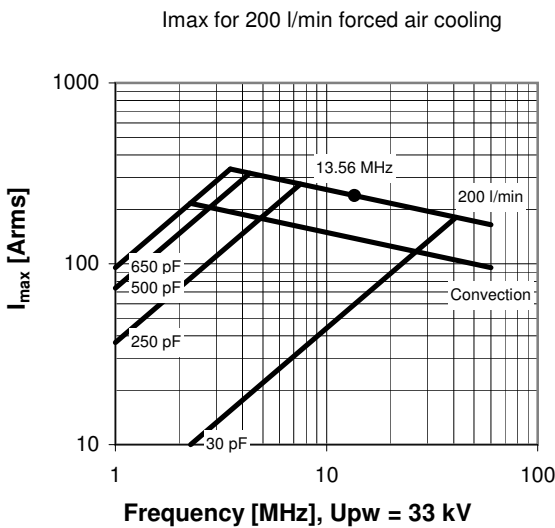
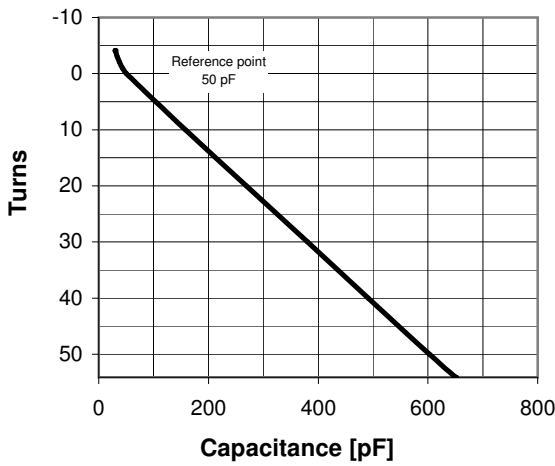


Specifications	
Capacity $C_{max}$ (nominal)	650 pF
Capacity $C_{min}$ (nominal)	30 pF
Voltage (Peak Test $U_{pt}$ / Peak Working $U_{pw}$ )	55 kV / 33 kV
Capacity Tolerance (linear Range)	10%
Max. Current $I_{max}$ at 13.56 MHz with Air Cooling	238 Arms 200 l/min
Capacitance per turn	11.1 pF/turn
Torque	$\leq 1.5$ Nm
Net Weight	8.7 kg



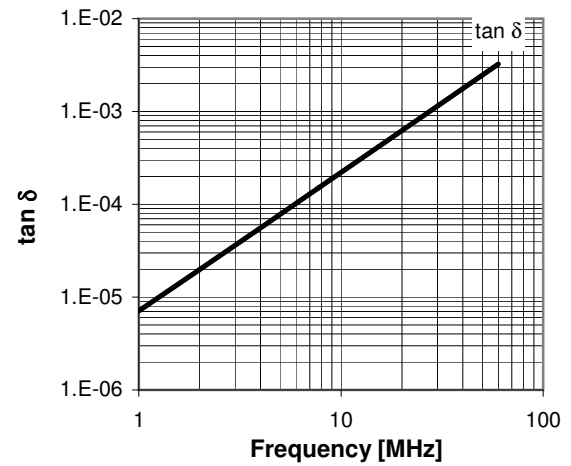
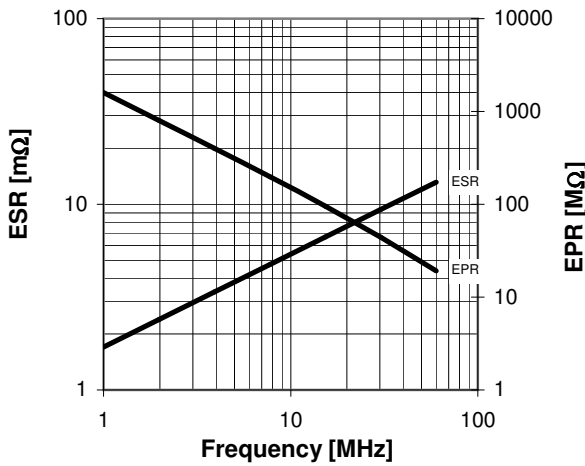
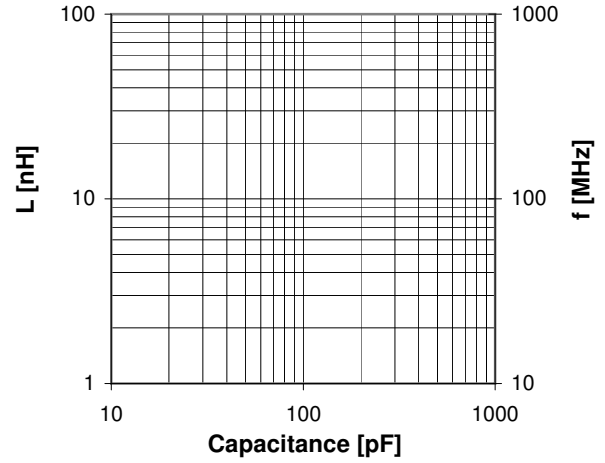
## CVMA-650AA/55-AAB

Old Type Designation: CV3A-650E

Turns	Nominal Capacitance [pF]	Tolerance
-4.1	30.0	10%
-4.0	30.4	10%
-3.0	33.7	10%
-2.0	37.9	10%
-1.0	43.3	10%
0.0	50.0	0%
10.0	157.9	10%
20.0	269.1	10%
30.0	380.4	10%
40.0	491.6	10%
50.0	602.9	10%
54.1	650.0	10%

Mechanical stop at < 30 pF at ~ -5.6 turns  
Mechanical stop at > 650 pF at ~ 54.8 turns

Self inductance and resonance frequency



Type Ordering Information:	Upt
CVMA-650AA/55-AAB	55 kV
CVMA-650AA/50-AAB	50 kV
CVMA-650AA/45-AAB	45 kV