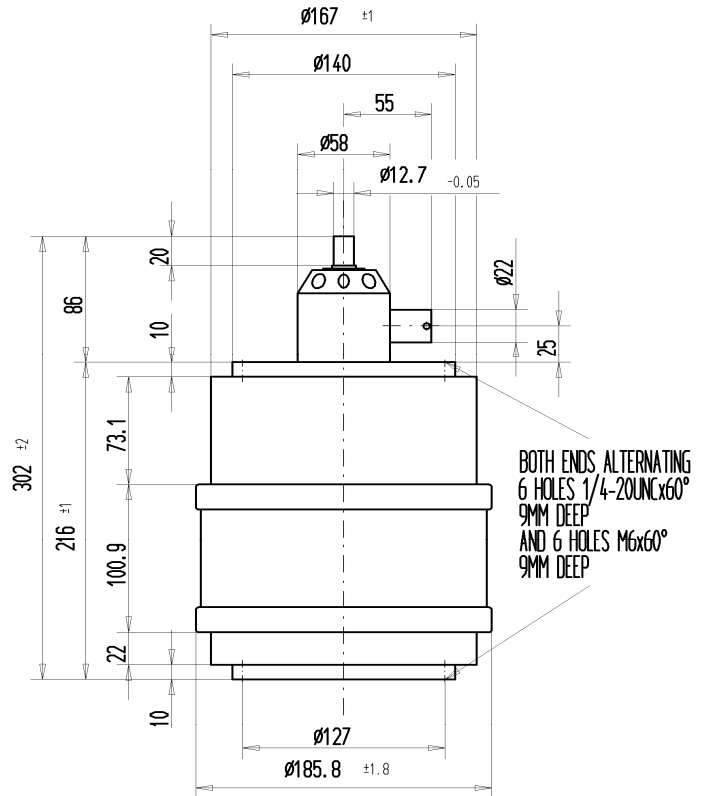
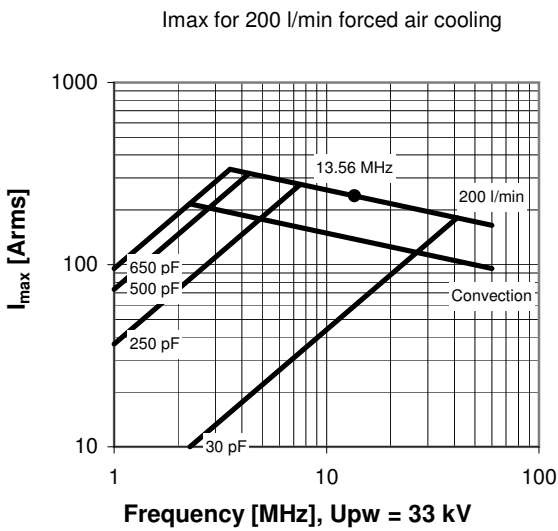
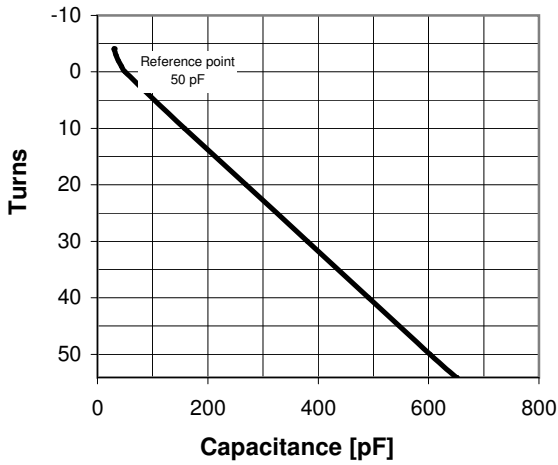


CVMA-650AA/55-AAB-P

Old Type Designation: CV3A-650ES

Specifications	
Capacity C_{max} (nominal)	650 pF
Capacity C_{min} (nominal)	30 pF
Voltage (Peak Test U_{pt} / Peak Working U_{pw})	55 kV / 33 kV
Capacity Tolerance (linear Range)	10%
Max. Current I_{max} at 13.56 MHz with Air Cooling	238 Arms 200 l/min
Capacitance per turn	11.1 pF/turn
Torque	≤ 1.5 Nm
Net Weight	8.7 kg



Subject to change without prior notice

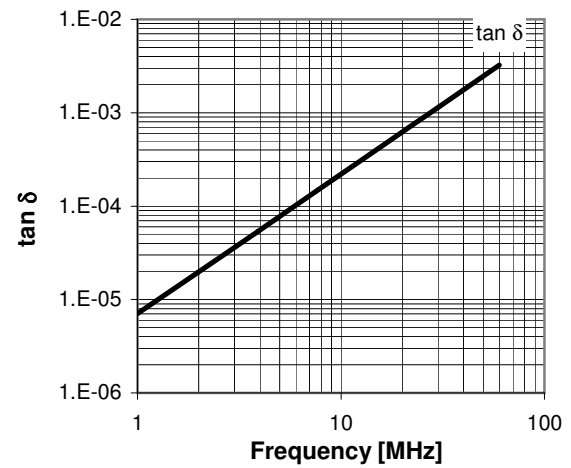
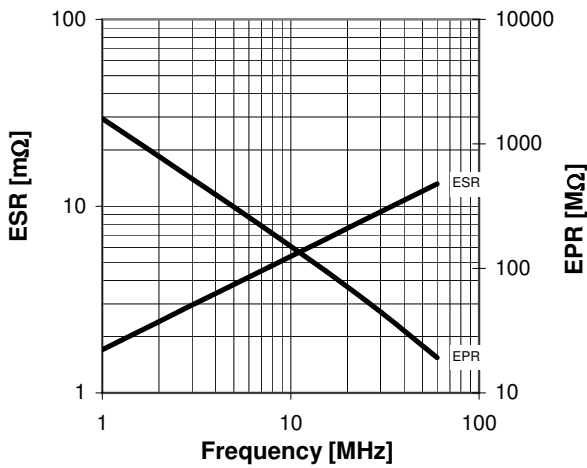
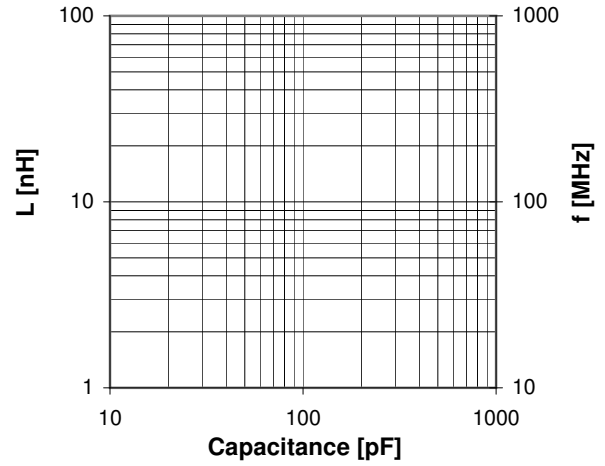
Note: Technical information in Service Bulletin
SB-52 must be considered

Issue: 12-Oct-2011

Turns	Nominal Capacitance [pF]	Tolerance
-4.1	30.0	10%
-4.0	30.4	10%
-3.0	33.7	10%
-2.0	37.9	10%
-1.0	43.3	10%
0.0	50.0	0%
10.0	157.9	10%
20.0	269.1	10%
30.0	380.4	10%
40.0	491.6	10%
50.0	602.9	10%
54.1	650.0	10%

Mechanical stop at < 30 pF at ~ -5.6 turns
Mechanical stop at > 650 pF at ~ 54.8 turns

Self inductance and resonance frequency



Special Features:

Lubrication System

Subject to change without prior notice

Note: Technical information in Service Bulletin
SB-52 must be considered

Issue: 12-Oct-2011