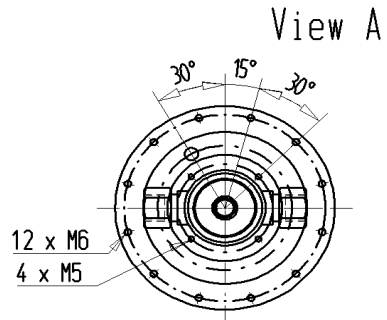


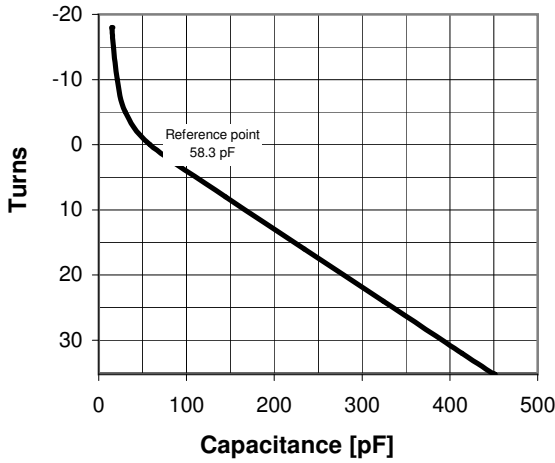
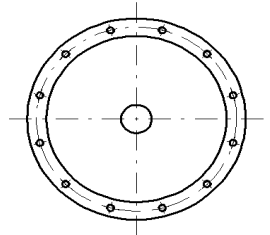
## CVMA-450DW/50-AAB

Old Type Designation: CV3W-450R

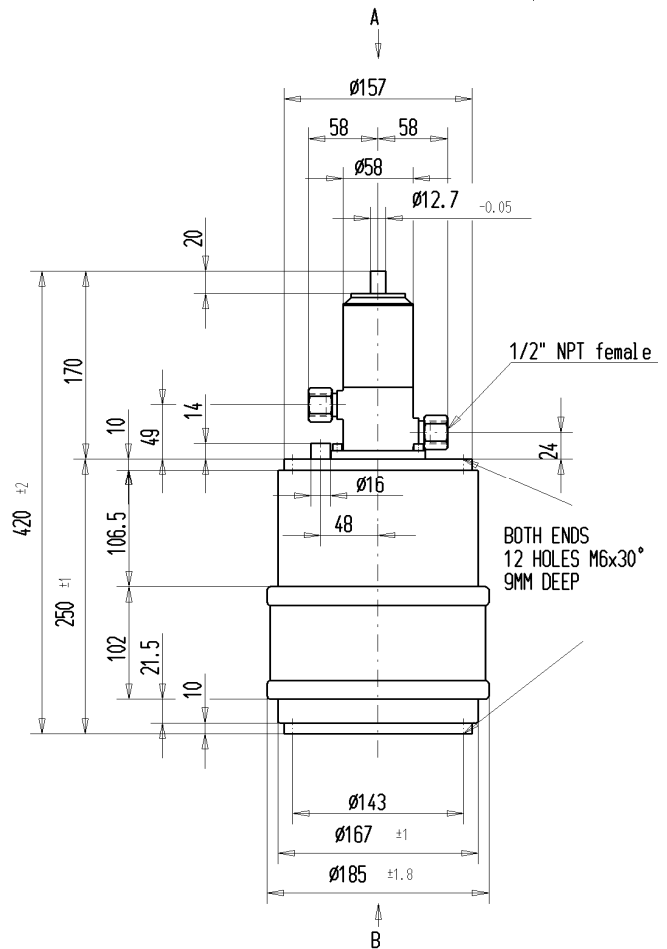
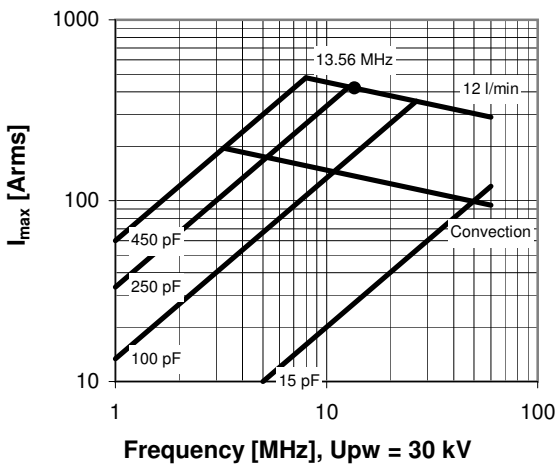
Specifications	
Capacity $C_{max}$ (nominal)	450 pF
Capacity $C_{min}$ (nominal)	15 pF
Voltage (Peak Test $U_{pt}$ / Peak Working $U_{pw}$ )	50 kV / 30 kV
Capacity Tolerance (linear Range)	10%
Max. Current $I_{max}$ at 13.56 MHz with Water Cooling	419 Arms
Water Cooling	12 l/min
Capacitance per turn	11.1 pF/turn
Torque	$\leq 1.5$ Nm
Net Weight	11 kg



View B



$I_{max}$  for 12 l/min water cooling; max. water temp. at inlet: 70°C; fixed end has to be cooled with min. 50 W



## CVMA-450DW/50-AAB

Old Type Designation: CV3W-450R

Turns	Nominal Capacitance [pF]	Tolerance
-18.0	15.0	10%
-15.0	16.7	10%
-10.0	21.1	10%
-5.0	30.4	10%
0.0	58.3	0%
8.0	144.4	10%
16.0	234.3	10%
24.0	324.2	10%
32.0	414.1	10%
35.2	450.0	10%

Mechanical stop at < 15 pF at ~ -26.1 turns  
Mechanical stop at > 450 pF at ~ 35.8 turns

Self inductance and resonance frequency

