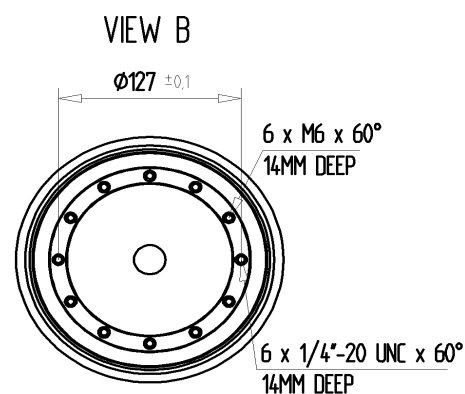
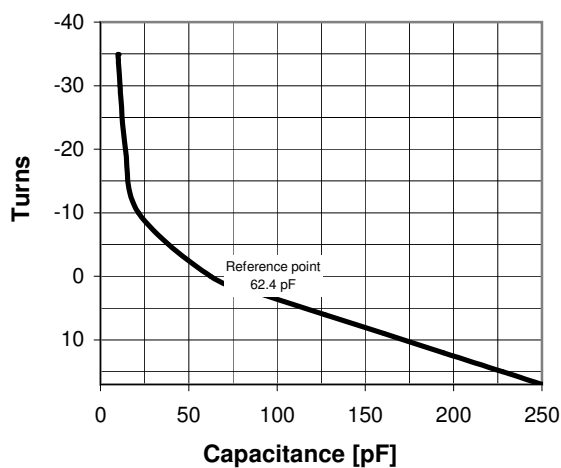
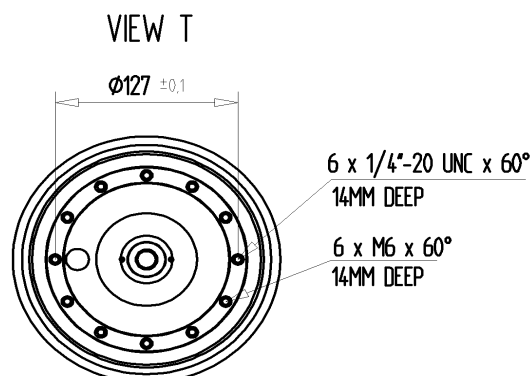


CVMA-250AC/55-AAB

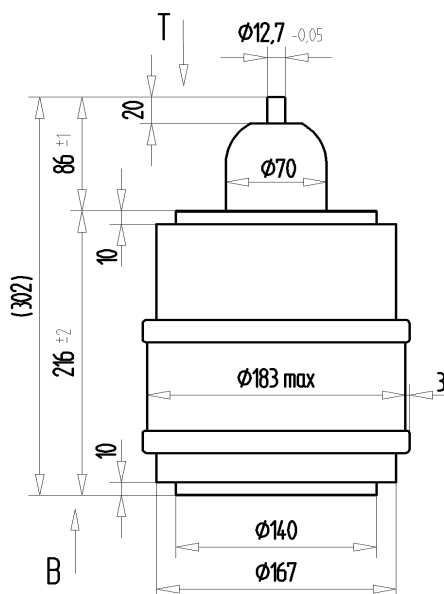
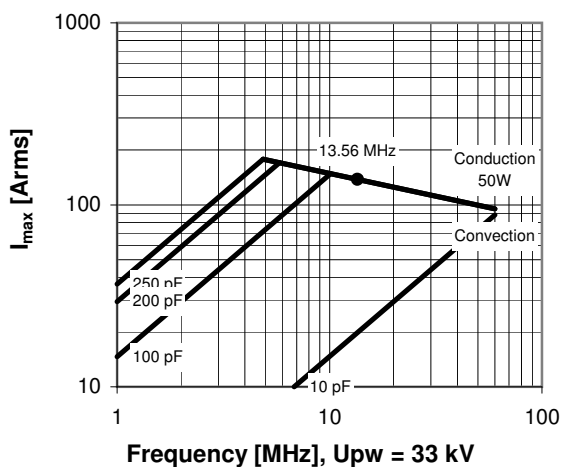
Old Type Designation: CV3C-250E

Specifications

Capacity C_{max} (nominal)	250 pF
Capacity C_{min} (nominal)	10 pF
Voltage (Peak Test U_{pt} / Peak Working U_{pw})	55 kV / 33 kV
Capacity Tolerance (linear Range)	10%
Max. Current I_{max} at 13.56 MHz with Conduction Cooling	137 Arms
Capacitance per turn	11 pF/turn
Torque	≤ 1.5 Nm
Net Weight	8.5 kg



I_{max} at 25°C ambient and 125°C surface temp. for convection and conduction (50 W) cooling



Subject to change without prior notice

Note: Technical information in Service Bulletin SB-52 must be considered

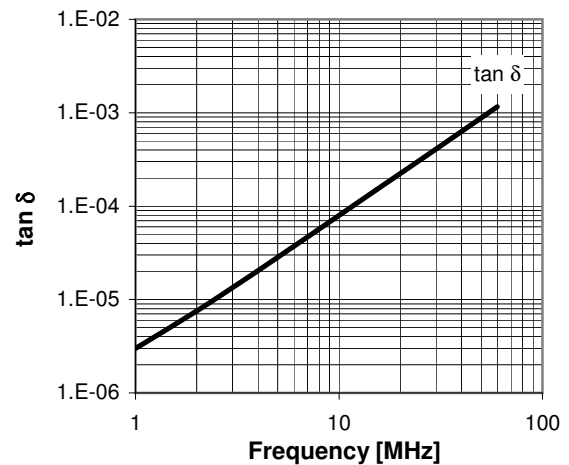
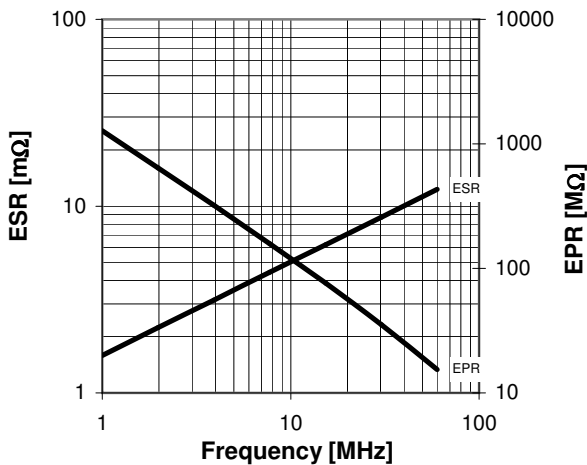
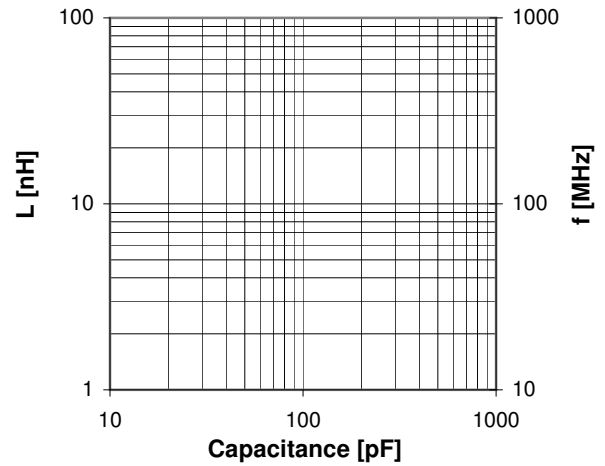
CVMA-250AC/55-AAB

Old Type Designation: CV3C-250E

Turns	Nominal Capacitance [pF]	Tolerance
-34.9	10.0	10%
-30.0	11.0	10%
-20.0	14.2	10%
-10.0	21.6	10%
0.0	62.4	0%
3.0	93.5	10%
6.0	127.0	10%
9.0	160.6	10%
12.0	194.2	10%
15.0	227.7	10%
17.0	250.0	10%

Mechanical stop at < 10 pF at ~ -42.7 turns
Mechanical stop at > 250 pF at ~ 17.4 turns

Self inductance and resonance frequency



Subject to change without prior notice

Note: Technical information in Service Bulletin
SB-52 must be considered