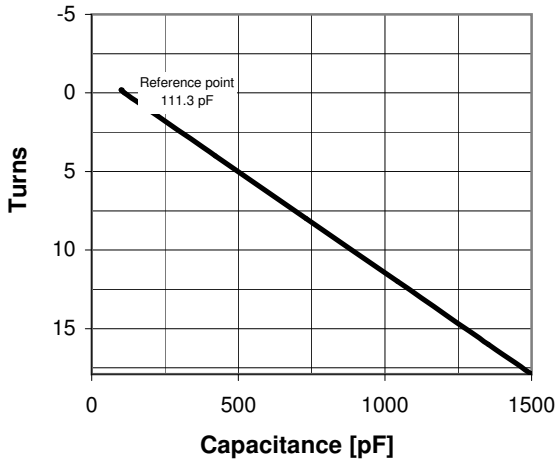
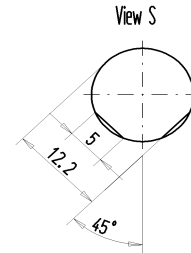


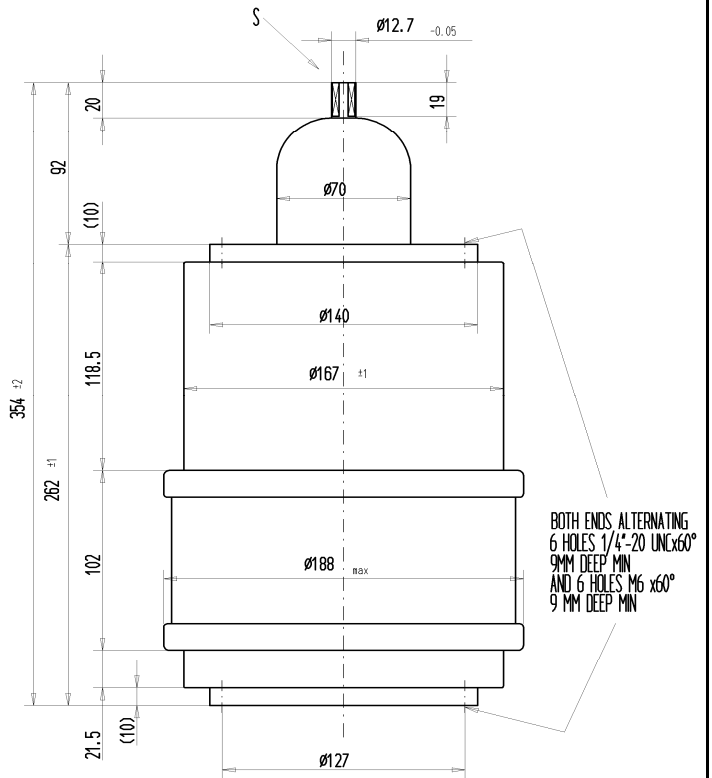
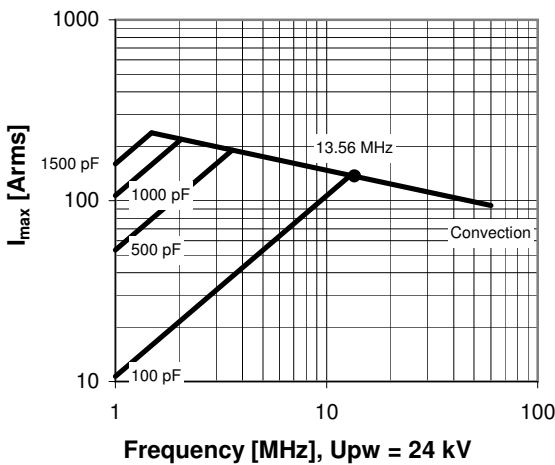
## CVMA-1500AC/40-ADM

Old Type Designation: CV2C-1500F

Specifications	
Capacity $C_{max}$ (nominal)	1500 pF
Capacity $C_{min}$ (nominal)	100 pF
Voltage (Peak Test $U_{pt}$ / Peak Working $U_{pw}$ )	40 kV / 24 kV
Capacity Tolerance (linear Range)	10%
Max. Current $I_{max}$ at 13.56 MHz	136 Arms
Capacitance per turn	77.6 pF/turn
Torque	$\leq 1.5$ Nm
Net Weight	10.6 kg



$I_{max}$  at 25°C ambient and 125°C surface temp. for convection cooling



## CVMA-1500AC/40-ADM

Old Type Designation: CV2C-1500F

Turns	Nominal Capacitance [pF]	Tolerance
-0.2	100.0	10%
0.0	111.3	0%
4.0	421.1	10%
8.0	731.9	10%
12.0	1042.2	10%
16.0	1352.5	10%
17.9	1500.0	10%

Mechanical stop at < 100 pF at ~ -0.9 turns  
Mechanical stop at > 1500 pF at ~ 18 turns

Self inductance and resonance frequency

