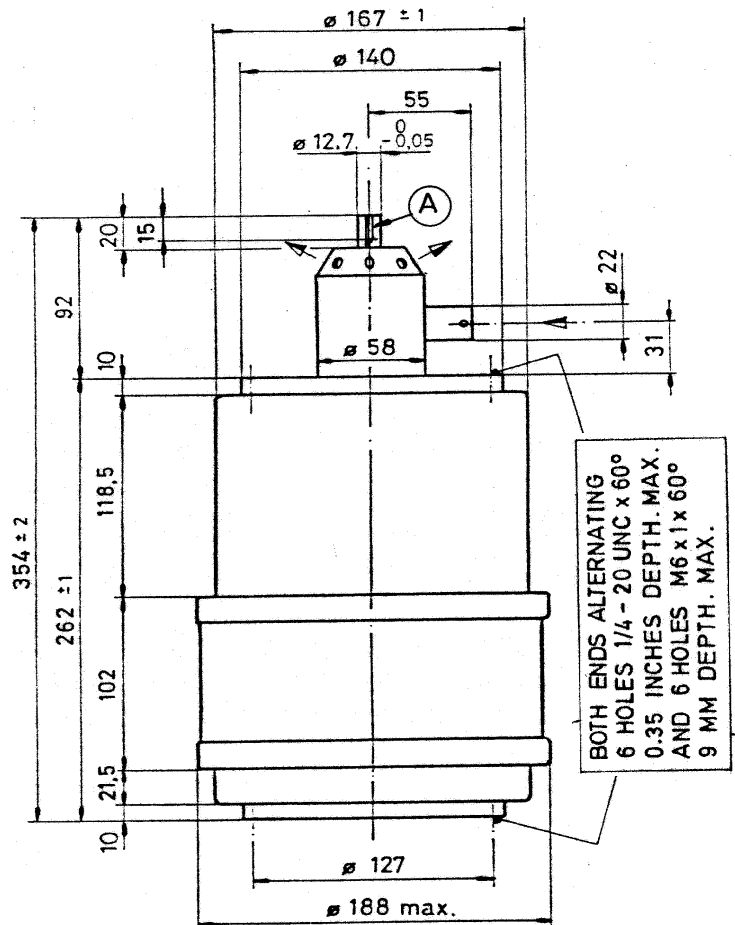
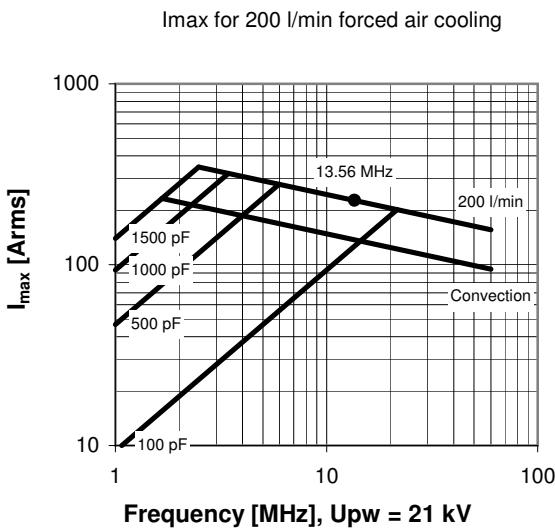
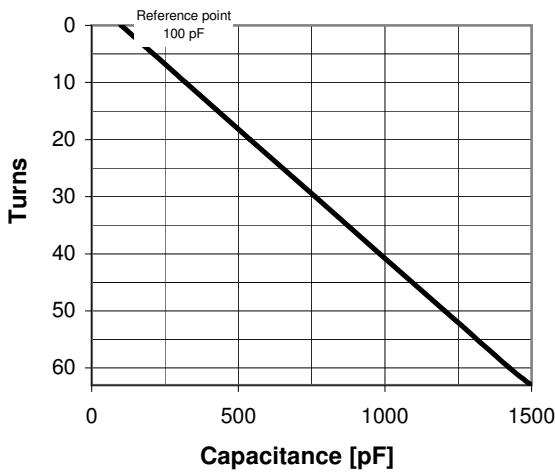
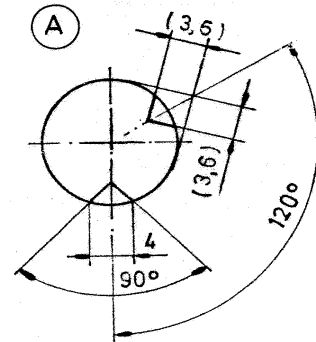


## CVMA-1500AA/35-ABB-P

Old Type Designation: CV2A-1500ESB

### Specifications

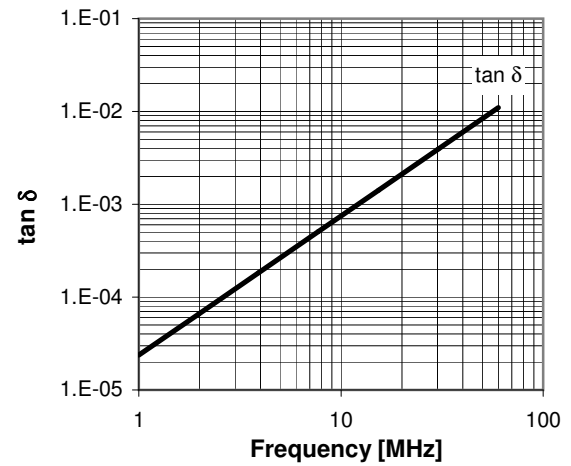
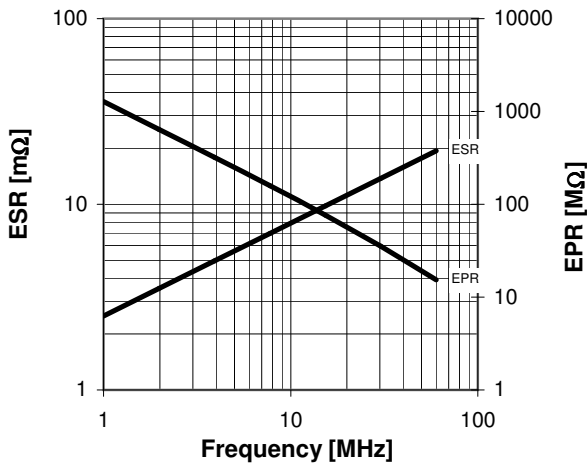
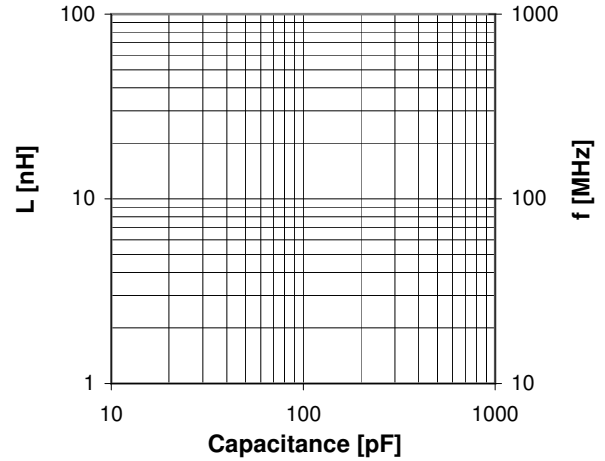
Capacity $C_{max}$ (nominal)	1500 pF
Capacity $C_{min}$ (nominal)	100 pF
Voltage (Peak Test $U_{pt}$ / Peak Working $U_{pw}$ )	35 kV / 21 kV
Capacity Tolerance (linear Range)	10%
Max. Current $I_{max}$ at 13.56 MHz with Air Cooling	226 Arms
Capacitance per turn	22.2 pF/turn
Torque	$\leq 1.5$ Nm
Net Weight	10 kg



Turns	Nominal Capacitance [pF]	Tolerance
0.0	100.0	0%
10.0	319.4	10%
20.0	540.7	10%
30.0	761.7	10%
40.0	982.6	10%
50.0	1204.0	10%
60.0	1425.0	10%
63.0	1500.0	10%

Mechanical stop at < 100 pF at ~ -2.3 turns  
Mechanical stop at > 1500 pF at ~ 64 turns

Self inductance and resonance frequency



**Special Features:**

Lubrication System