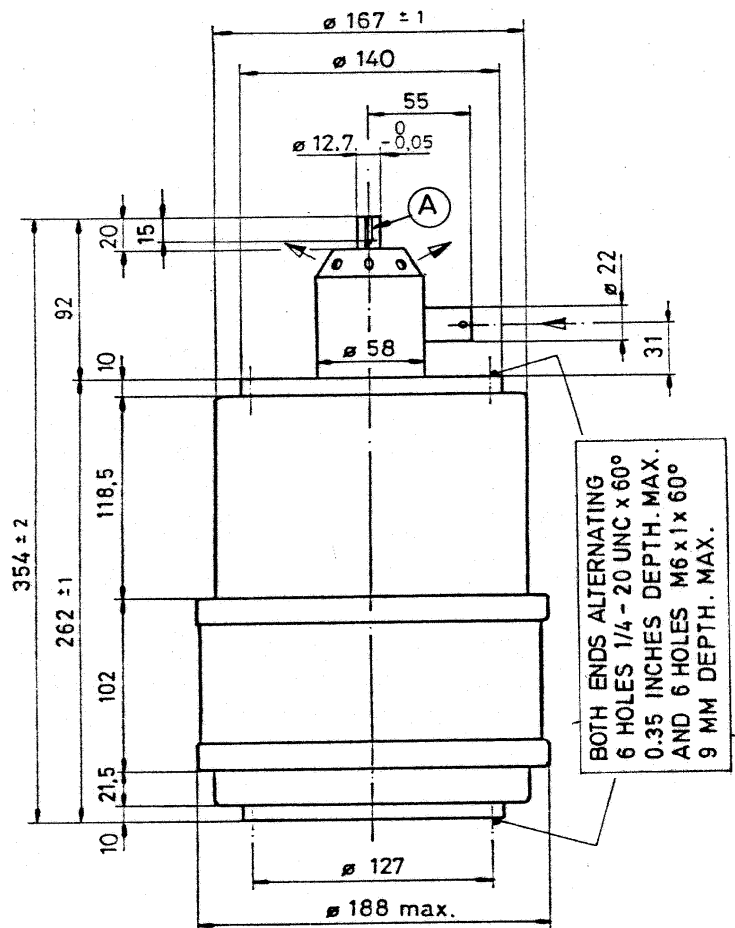
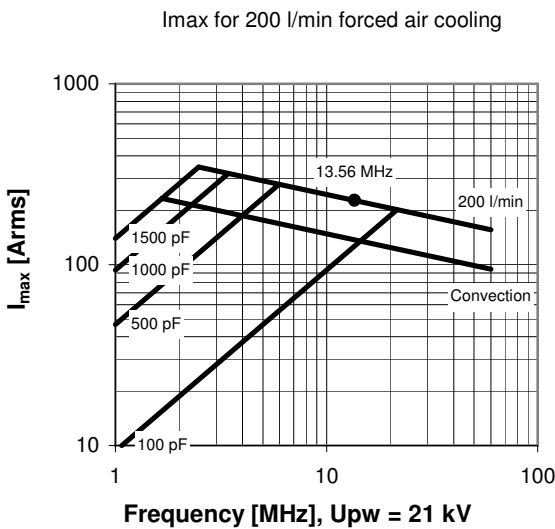
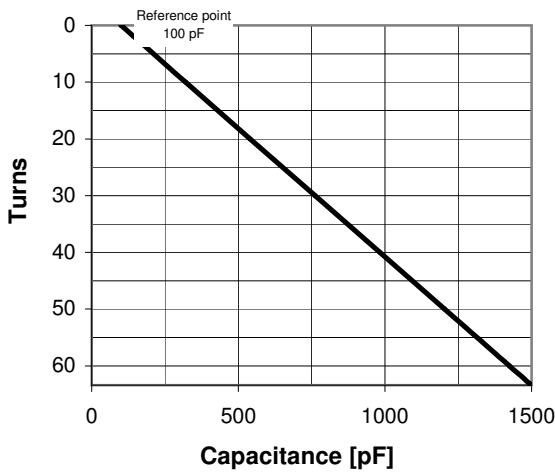
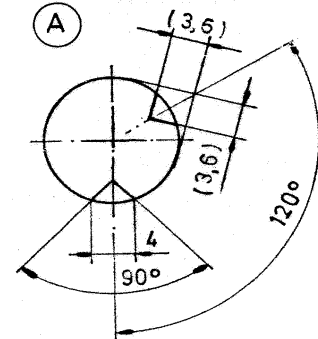


## CVMA-1500AA/35-ABB-HP

Specifications	
Capacity $C_{max}$ (nominal)	1500 pF
Capacity $C_{min}$ (nominal)	100 pF
Voltage (Peak Test $U_{pt}$ / Peak Working $U_{pw}$ )	35 kV / 21 kV
Capacity Tolerance (linear Range)	2%
Max. Current $I_{max}$ at 13.56 MHz with Air Cooling	226 Arms
Capacitance per turn	22.1 pF/turn
Torque	$\leq 1.5$ Nm
Net Weight	10 kg

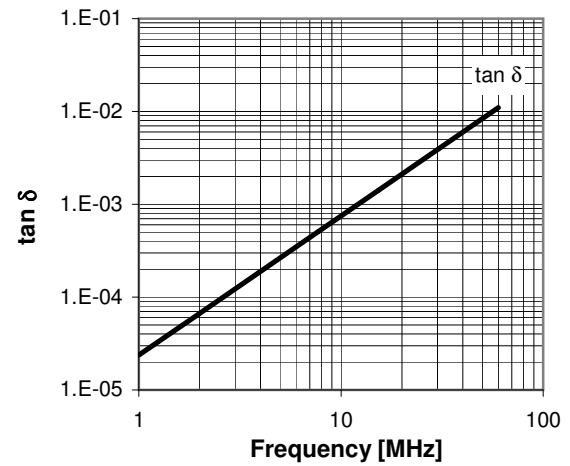
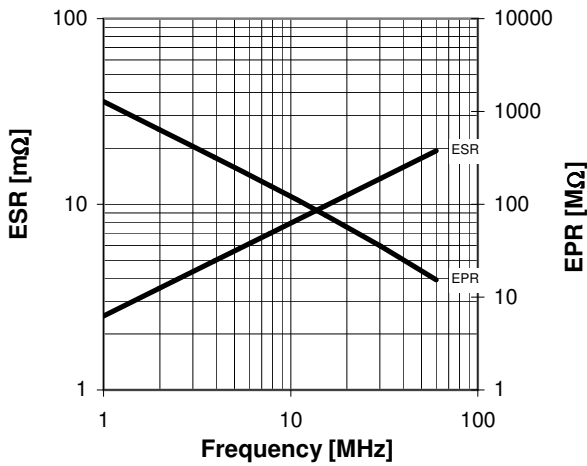
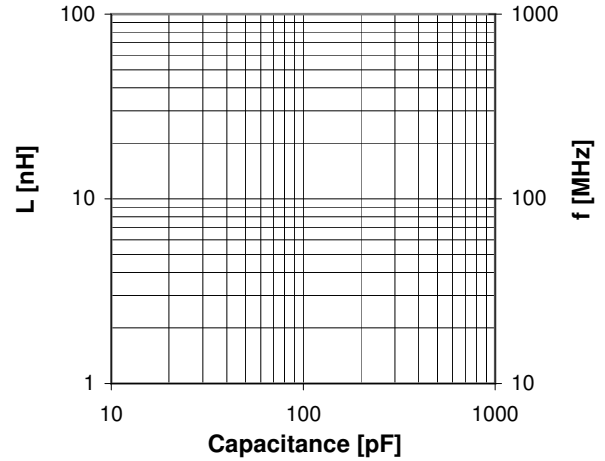


## CVMA-1500AA/35-ABB-HP

Turns	Nominal Capacitance [pF]	Tolerance
0.0	100.0	0%
10.0	319.4	2%
20.0	540.7	2%
30.0	761.7	2%
40.0	982.6	2%
50.0	1203.6	2%
60.0	1424.6	2%
63.4	1500.0	2%

Mechanical stop at < 100 pF at ~ -2.3 turns  
Mechanical stop at > 1500 pF at ~ 64.1 turns

Self inductance and resonance frequency



**Special Features:**

Special C-Curve / Special Capacity Tolerance,  
Lubrication System