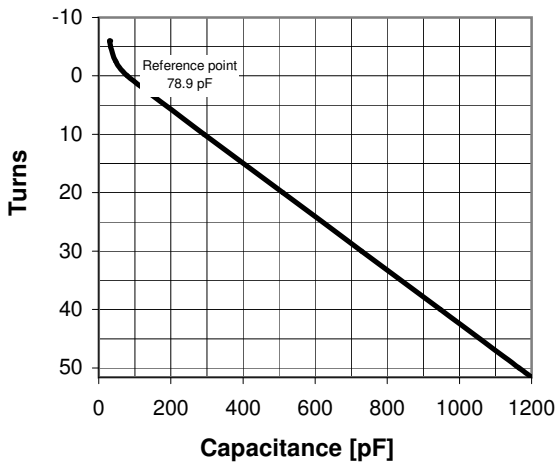


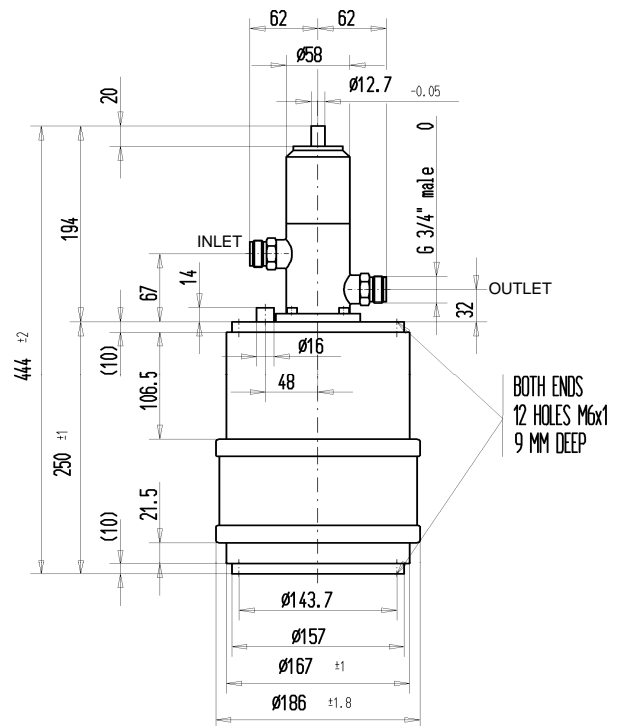
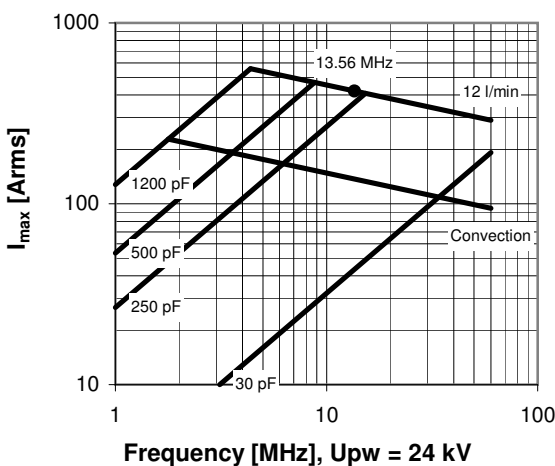
CVMA-1200AW/40-AAB

Old Type Designation: CV2W-1200H

Specifications	
Capacity C_{max} (nominal)	1200 pF
Capacity C_{min} (nominal)	30 pF
Voltage (Peak Test U_{pt} / Peak Working U_{pw})	40 kV / 24 kV
Capacity Tolerance (linear Range)	10%
Max. Current I_{max} at 13.56 MHz with	420 Arms
Water Cooling	12 l/min
Self Inductance	≤ 32 nH
Capacitance per turn	21.7 pF/turn
Torque	≤ 1.5 Nm
Net Weight	14 kg



I_{max} for 12 l/min water cooling; max. water temp. at inlet: 70°C;
fixed end has to be water cooled with min. 4 l/min



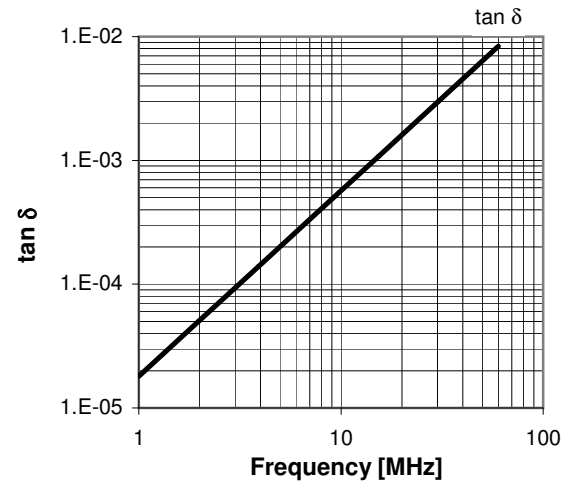
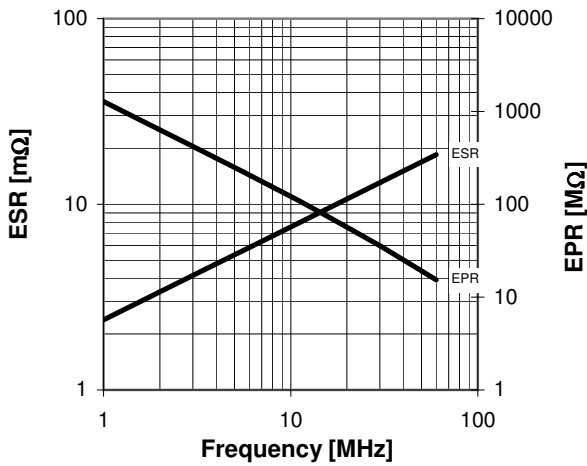
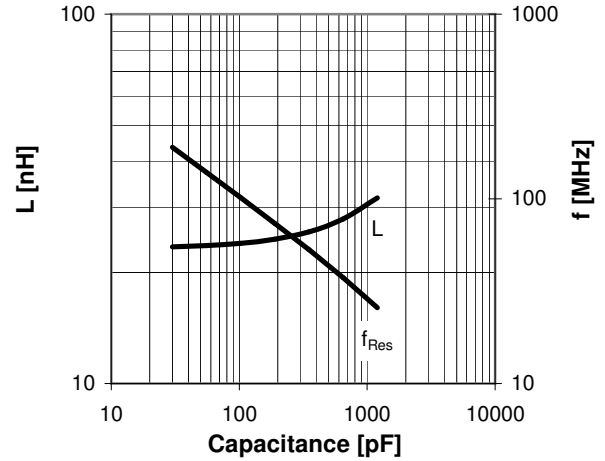
CVMA-1200AW/40-AAB

Old Type Designation: CV2W-1200H

Turns	Nominal Capacitance [pF]	Tolerance
-6.0	30.0	10%
-5.0	33.2	10%
-2.5	47.2	10%
0.0	78.9	0%
10.0	292.0	10%
20.0	510.2	10%
30.0	728.5	10%
40.0	946.7	10%
50.0	1165.0	10%
51.6	1200.0	10%

Mechanical stop at < 30 pF at ~ -10.3 turns
Mechanical stop at > 1200 pF at ~ 52.3 turns

Self inductance and resonance frequency



Type Ordering Information:	Upt
CVMA-1200AW/40-AAB	40 kV
CVMA-1200AW/35-AAB	35 kV
CVMA-1200AW/30-AAB	30 kV