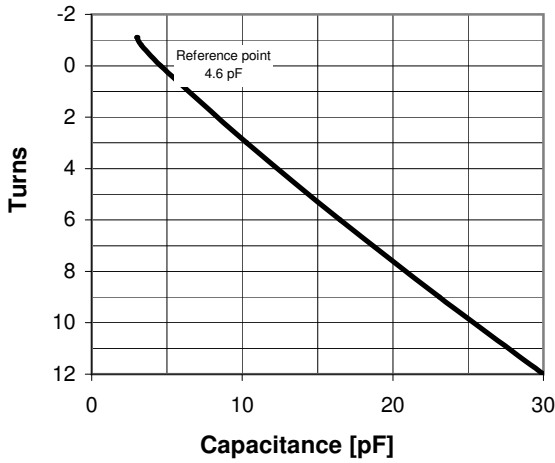


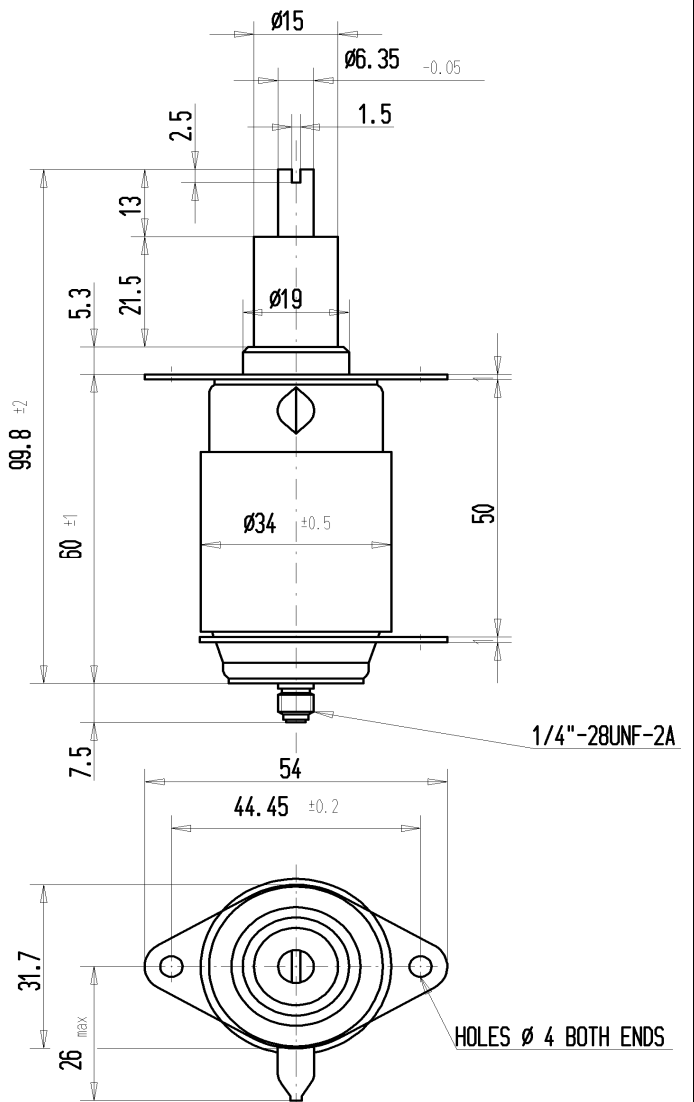
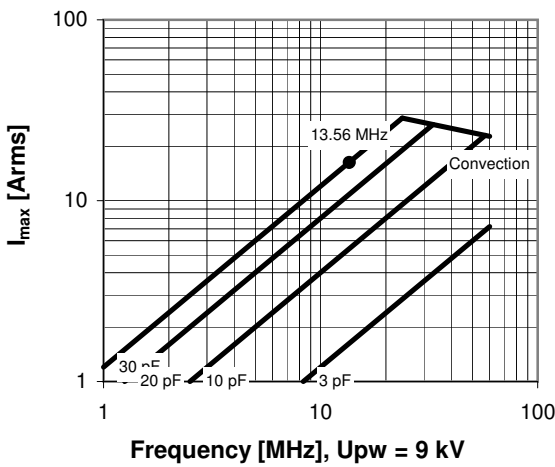
## CVLI-30EC/15-BFSF-1

Old Type Designation: CV1C-30KL

Specifications	
Capacity $C_{max}$ (nominal)	30 pF
Capacity $C_{min}$ (nominal)	3 pF
Voltage (Peak Test $U_{pt}$ / Peak Working $U_{pw}$ )	15 kV / 9 kV
Capacity Tolerance (linear Range)	10%
Max. Current $I_{max}$ at 13.56 MHz	16 Arms
Capacitance per turn	2.1 pF/turn
Torque	$\leq 0.15$ Nm
Net Weight	0.2 kg



$I_{max}$  at 25°C ambient and 125°C surface temp. for convection cooling



Turns	Nominal Capacitance [pF]	Tolerance
-1.1	3.0	10%
-0.8	3.3	10%
0.0	4.6	0%
3.0	10.3	10%
6.0	16.5	10%
9.0	23.1	10%
12.0	30.0	10%

Mechanical stop at < 3 pF at ~ -4.9 turns  
Mechanical stop at > 30 pF at ~ 13 turns

Self inductance and resonance frequency

