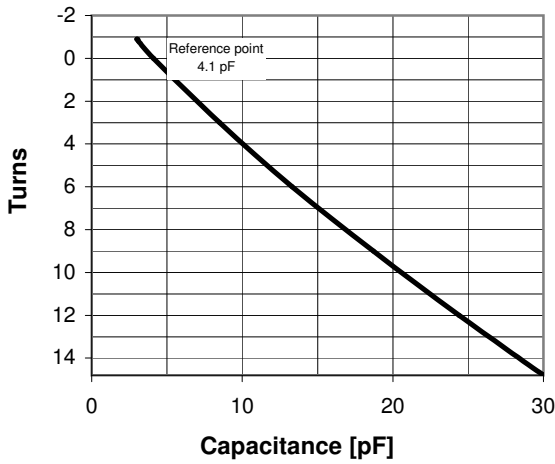
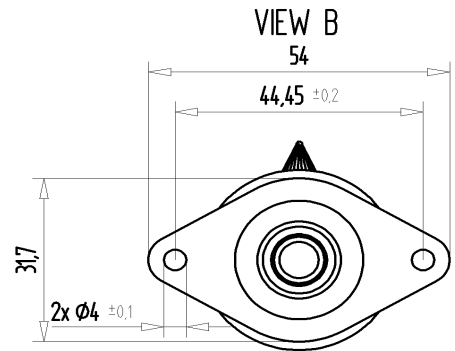
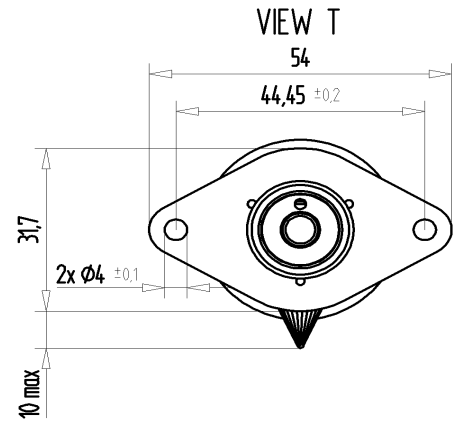


CVLI-30DC/15-BAN

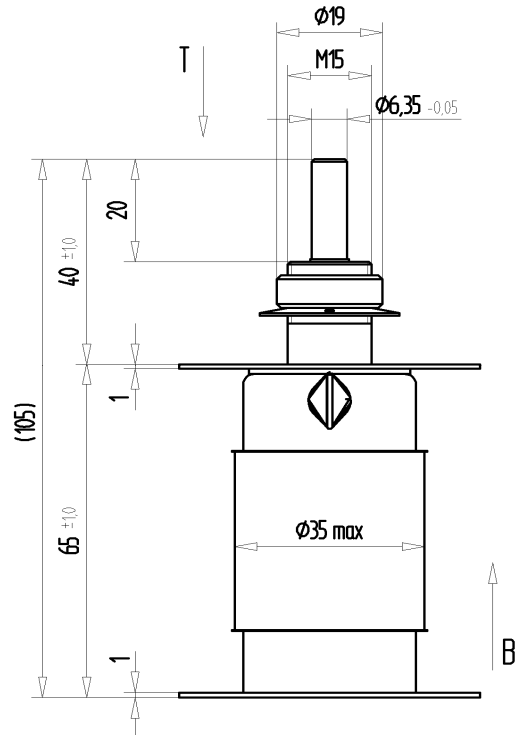
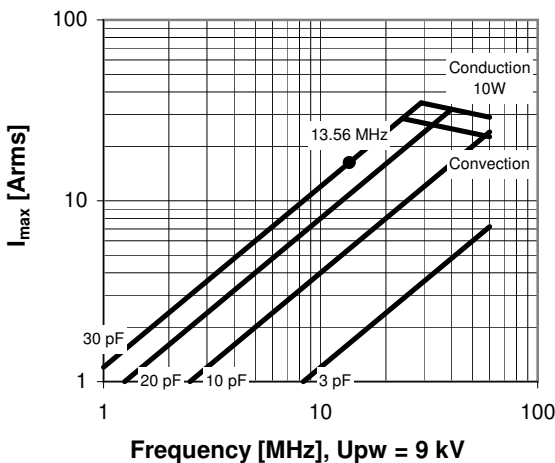
Old Type Designation: CV1C-30F

Specifications

Capacity C_{max} (nominal)	30 pF
Capacity C_{min} (nominal)	3 pF
Voltage (Peak Test U_{pt} / Peak Working U_{pw})	15 kV / 9 kV
Capacity Tolerance (linear Range)	10%
Max. Current I_{max} at 13.56 MHz with	16 Arms
Conduction Cooling	10 W
Self Inductance	≤ 7 nH
Capacitance per turn	1.8 pF/turn
Torque	≤ 0.1 Nm
Net Weight	0.2 kg



I_{max} at 25°C ambient and 125°C surface temp. for convection and conduction (10 W) cooling



Turns	Nominal Capacitance [pF]	Tolerance
-0.9	3.0	10%
-0.8	3.1	10%
0.0	4.1	0%
3.0	8.5	10%
6.0	13.3	10%
9.0	18.7	10%
12.0	24.4	10%
14.8	30.0	10%

Mechanical stop at < 3 pF at ~ -6.9 turns
Mechanical stop at > 30 pF at ~ 15.2 turns

Self inductance and resonance frequency

