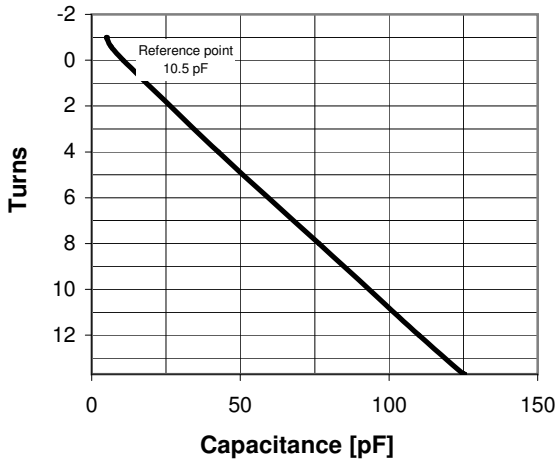


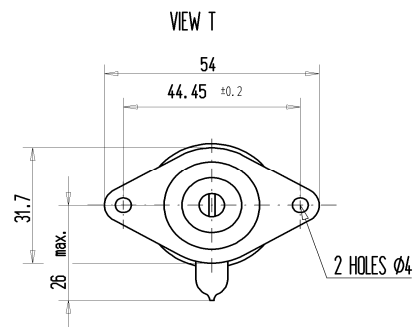
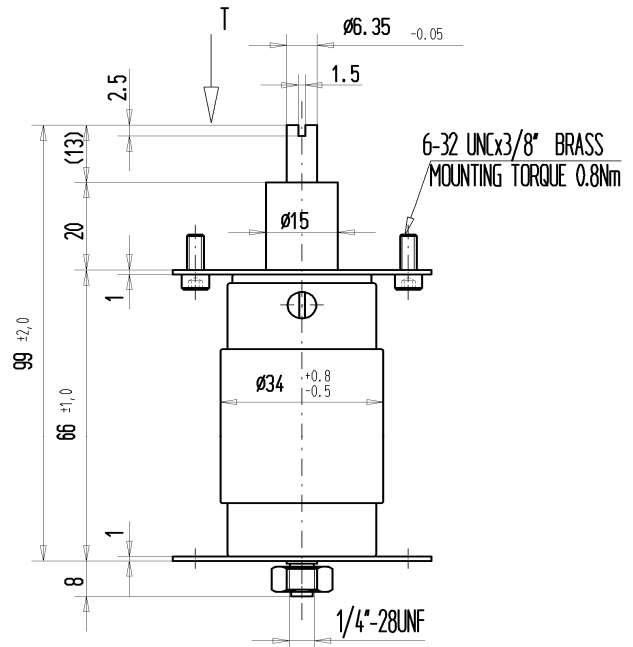
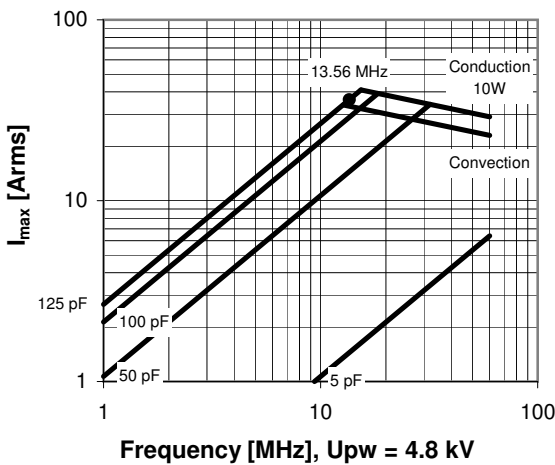
CVLI-125AC/8-BFS-2

Old Type Designation: CV05C-125H/8

Specifications	
Capacity C_{max} (nominal)	125 pF
Capacity C_{min} (nominal)	5 pF
Voltage (Peak Test U_{pt} / Peak Working U_{pw})	8 kV / 4.8 kV
Capacity Tolerance (linear Range)	10%
Max. Current I_{max} at 13.56 MHz with Conduction Cooling	36 Arms 10 W
Self Inductance	≤ 8 nH
Capacitance per turn	8.4 pF/turn
Torque	≤ 0.15 Nm
Net Weight	0.2 kg



I_{max} at 25°C ambient and 125°C surface temp. for convection and conduction (10 W) cooling



Turns	Nominal Capacitance [pF]	Tolerance
-1.0	5.0	10%
-0.6	6.5	10%
0.0	10.5	0%
4.0	42.6	10%
8.0	76.4	10%
12.0	110.1	10%
13.7	125.0	10%

Mechanical stop at < 5 pF at ~ -5.4 turns
Mechanical stop at > 125 pF at ~ 14.1 turns

Self inductance and resonance frequency

