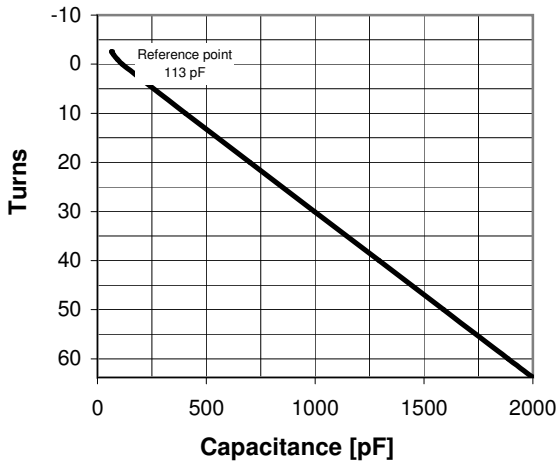


CVLA-2000AC/35-AAB-F

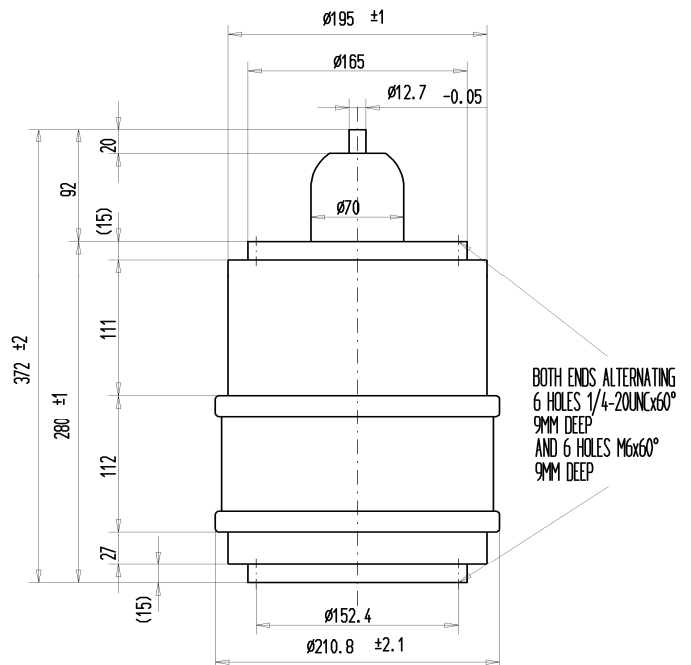
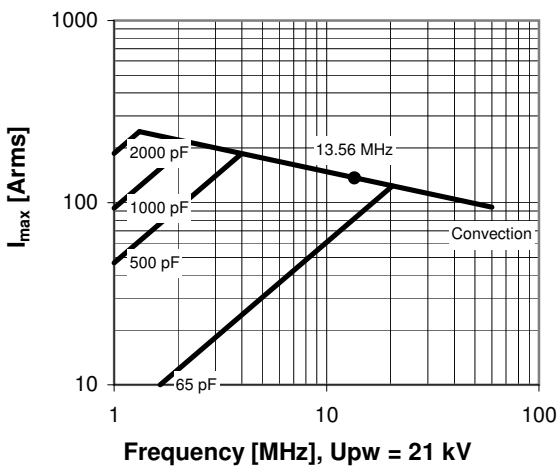
Old Type Designation: CV2C-2000F

Specifications

Capacity C_{max} (nominal)	2000 pF
Capacity C_{min} (nominal)	65 pF
Voltage (Peak Test U_{pt} / Peak Working U_{pw})	35 kV / 21 kV
Capacity Tolerance (linear Range)	3%
Max. Current I_{max} at 13.56 MHz	136 Arms
Capacitance per turn	29.6 pF/turn
Torque	≤ 1.5 Nm
Net Weight	17 kg



I_{max} at 25°C ambient and 125°C surface temp. for convection cooling



Subject to change without prior notice

Note: Technical information in Service Bulletin SB-52 must be considered

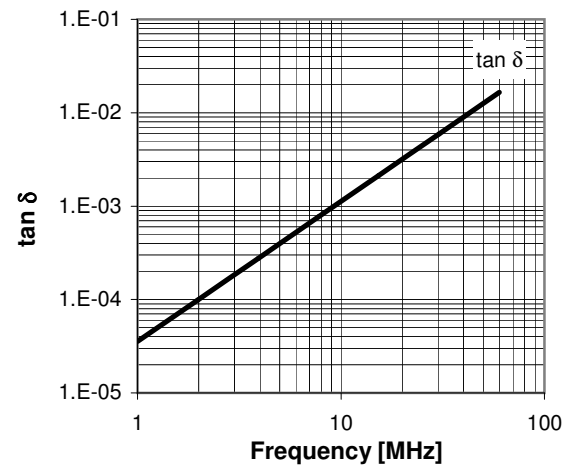
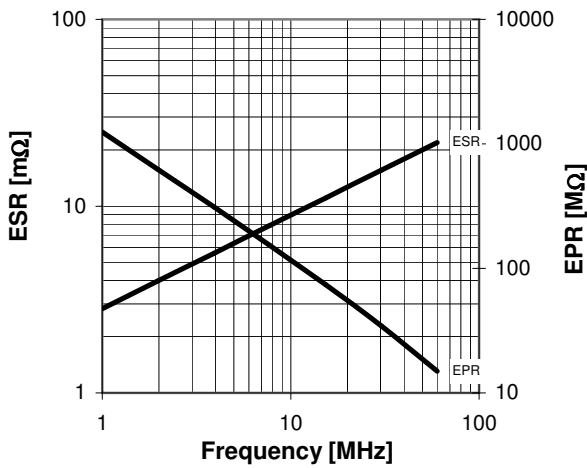
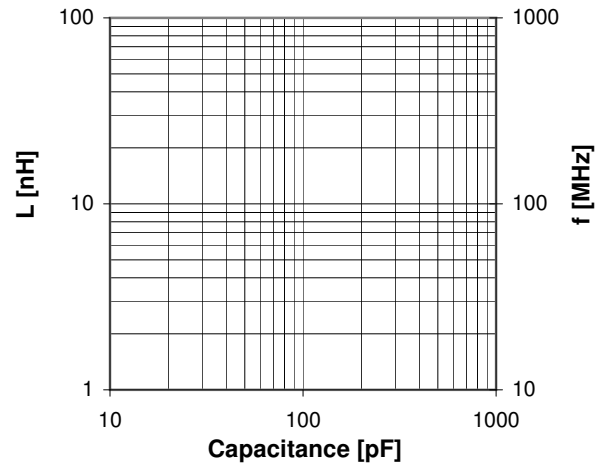
CVLA-2000AC/35-AAB-F

Old Type Designation: CV2C-2000F

Turns	Nominal Capacitance [pF]	Tolerance
-2.6	65.0	3%
-2.0	73.3	3%
-1.0	90.5	3%
0.0	113.0	0%
10.0	403.9	3%
20.0	700.2	3%
30.0	996.9	3%
40.0	1293.6	3%
50.0	1590.3	3%
60.0	1886.9	3%
63.8	2000.0	3%

Mechanical stop at < 65 pF at ~ -3.2 turns
Mechanical stop at > 2000 pF at ~ 64.3 turns

Self inductance and resonance frequency



Special Features:

Capacity Tolerance 3%

Subject to change without prior notice

Note: Technical information in Service Bulletin
SB-52 must be considered